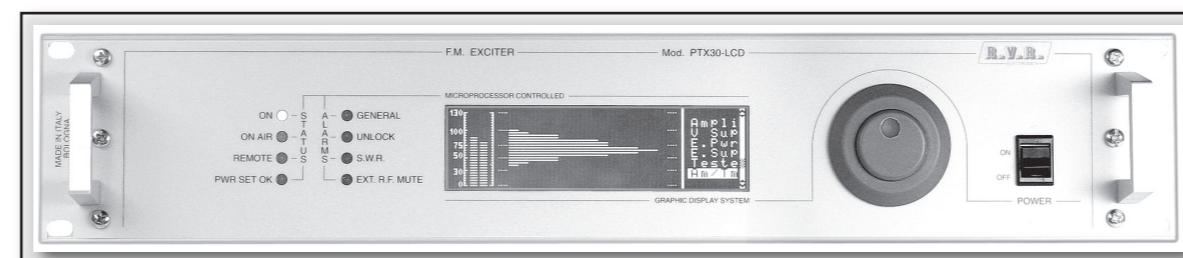

PTX LCD



User Manual Volume 2: Technical Appendix

Appendix A Piani di montaggio, schemi elettrici, liste componenti / *Component layouts, schematics, bills of material*

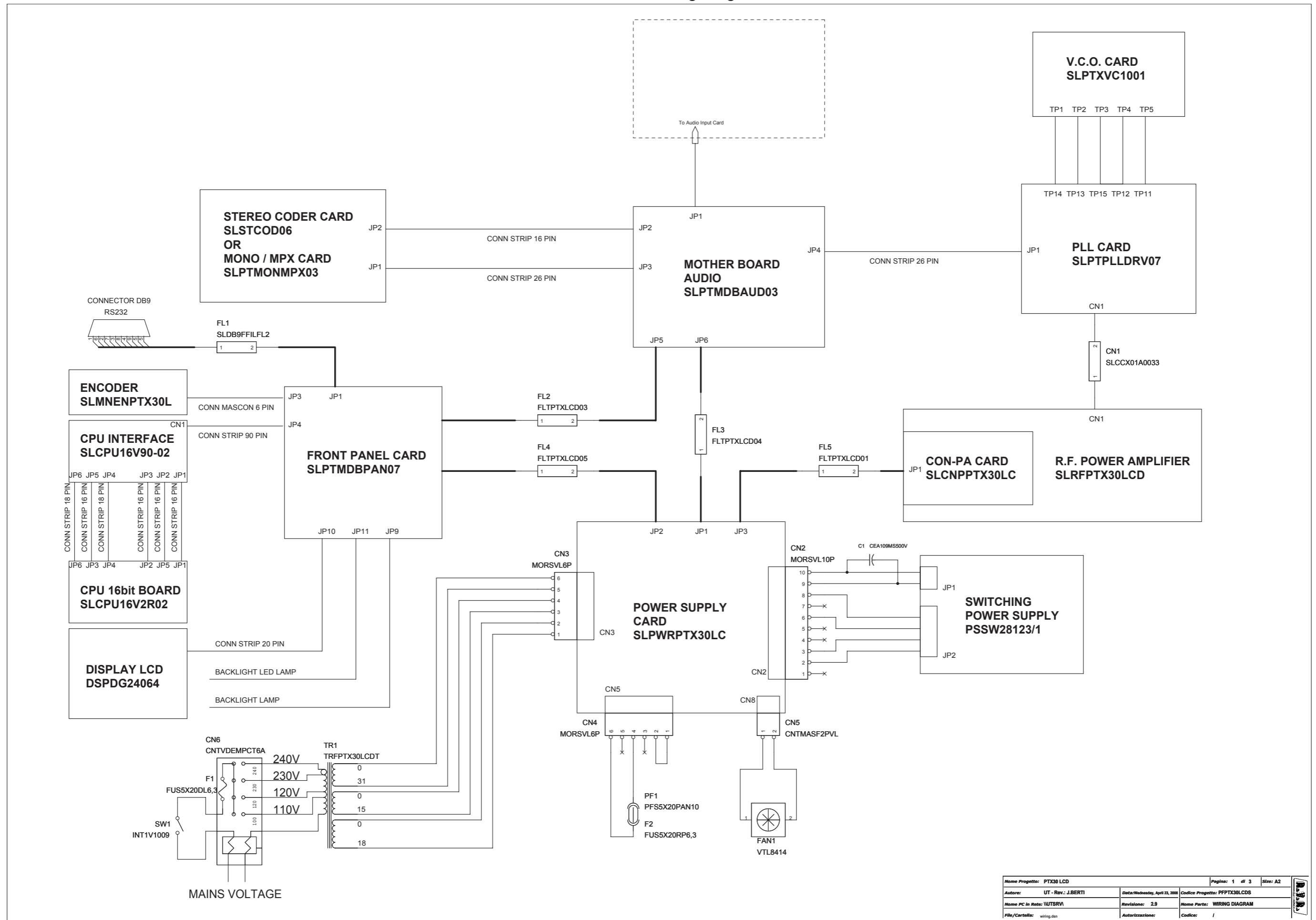
Questa parte del manuale contiene i dettagli tecnici riguardanti la costruzione delle singole schede componenti il PTX LCD. L'appendice è composta dalle seguenti sezioni:
This part of the manual contains the technical details about the different boards of the PTX LCD. This appendix is composed of the following sections:

PTX30LCD	16-bit version	8-bit version		
<i>Description</i>	<i>RVR Code</i>	<i>RVR Code</i>	<i>Vers.</i>	<i>Page</i>
Wiring Diagrams		---	2.8	1
Wiring Diagrams	---		2.9	4
BNC Connectors Card	SLPTAUSBNC04	SLPTAUSBNC04	2.2	7
Audio Input Card	SLPTAUDINP05	SLPTAUDINP05	1.1	10
Audio Motherboard	SLPTMDBAUD03	SLPTMDBAUD03	3.1	13
Mono/MPX Coder Card	SLPTMONMPX03	SLPTMONMPX03	1.0	14
Stereo Coder Card	SLSTCOD06	SLSTCOD06	1.0	15
VCO Card	SLPTXVC1001	SLPTXVC1001	2.1	19
PLL & Driver Card	SLPTPLLDREV07	SLPTPLLDREV07	2.1	21
CPU Interface Card	SLCPU16V90-02	---	2.3	25
CPU 16Bit Card	SLCPU16V2R02	---	1.4	27
CPU 8Bit Card	---	SLPTCPU55202	3.0	29
Main Panel Card	SLPTMDBPAN07	SLPTMDBPAN07	1.0	31
Power Supply 30W	SLPWRPTX30LC	SLPWRPTX30LC	2.1	34
Switching Power Supply 30W	PSSW28123/1	PSSW28123/1	2.1	45
External Remote Card vers 1.3	SLTELEM013	SLTELEM013	2.0	53
External Remote Card vers 2.0	SLTELEM002	SLTELEM002	2.0	55
30W Power Amp connector	SLCNPPTX30LC	SLCNPPTX30LC	2.2	57
30W RF Power amplifier	SLREPTX30LCD	SLREPTX30LCD	2.2	61
Digital Audio Input	SLPTAUSBNC06	SLPTAUSBNC06	1.0	66
Audio Input Selector	RXAES	RXAES	2.0	68
Digital Audio Input TRDSP	TRDSP	TRDSP	2.0	71
Optional 24Vsupply board	SLBATT24-001	SLBATT24-001	2.1	72

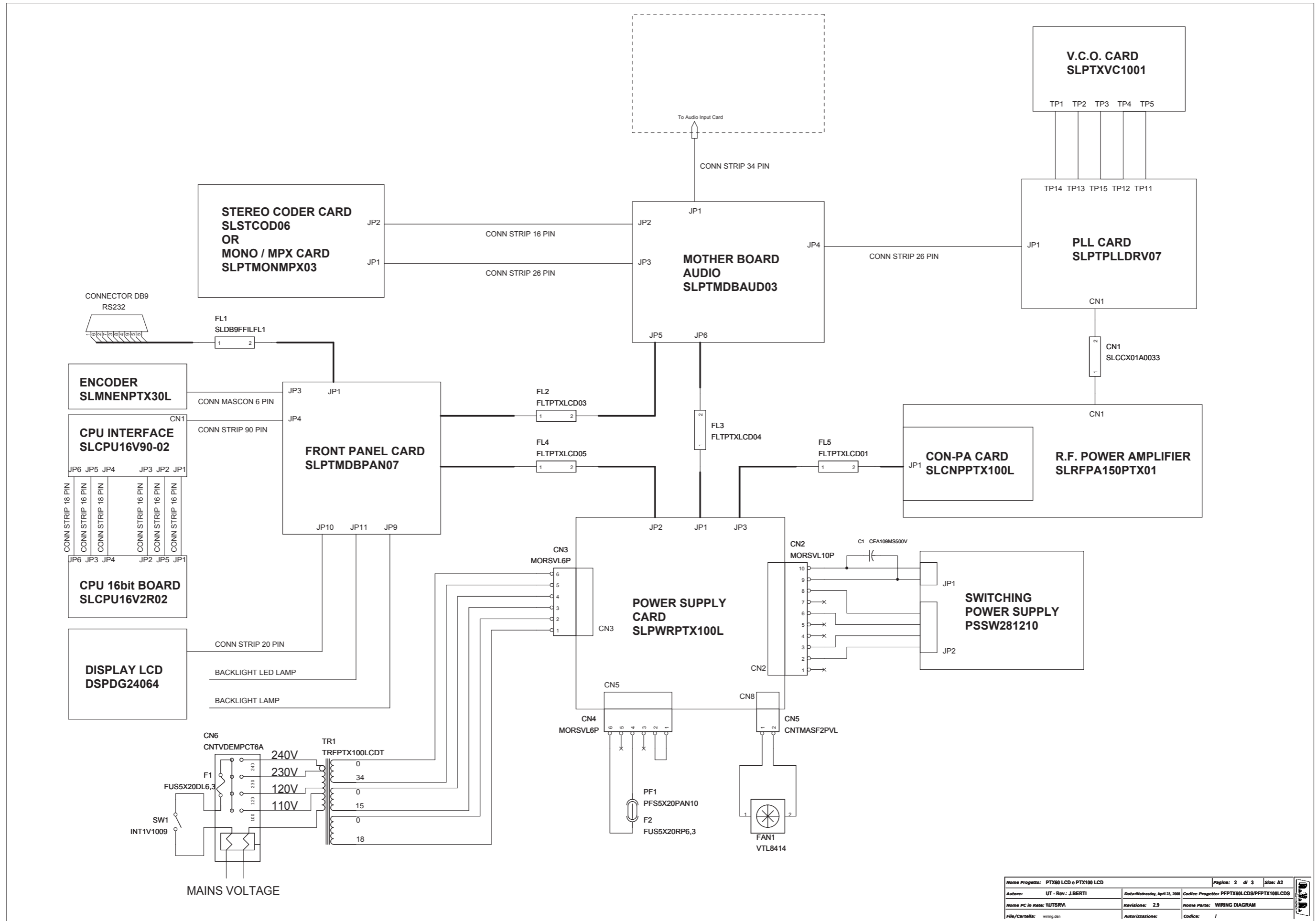
PTX60LCD&PTX100LCD	16-bit version	8-bit version		
<i>Description</i>	<i>RVR Code</i>	<i>RVR Code</i>	<i>Vers.</i>	<i>Page</i>
Wiring Diagrams		---	2.8	1
Wiring Diagrams	---		2.9	4
BNC Connectors Card	SLPTAUSBNC04	SLPTAUSBNC04	2.2	7
Audio Input Card	SLPTAUDINP05	SLPTAUDINP05	1.1	10
Audio Motherboard	SLPTMDBAUD03	SLPTMDBAUD03	3.1	13
Mono/MPX Coder Card	SLPTMONMPX03	SLPTMONMPX03	1.0	15
Stereo Coder Card	SLSTCOD06	SLSTCOD06	1.0	17
VCO Card	SLPTXVC1001	SLPTXVC1001	2.1	19
PLL & Driver Card	SLPTPLLDREV07	SLPTPLLDREV07	3.1	22
CPU Interface Card	SLCPU16V90-02	---	2.3	25
CPU 16Bit Card	SLCPU16V2R02	---	1.4	27
CPU 8Bit Card	---	SLPTCPU55202	3.0	29
Main Panel Card	SLPTMDBPAN07	SLPTMDBPAN07	1.0	31
Power Supply 60-100W	SLPWRPTX100L	SLPWRPTX100L	3.1	40
Switching Power Supply 60-100W	PSSW281210	PSSW281210	2.2	49
External Remote Card vers 1.3	SLTELEM013	SLTELEM013	2.0	53
External Remote Card vers 2.0	SLTELEM002	SLTELEM002	2.0	55
60-100W Power Amp connector	SLCNPPTX100L	SLCNPPTX100L	2.0	59
60-100W RF Power amplifier	SLPA150PTX01	SLPA150PTX01	1.1	64
Digital Audio Input	SLPTAUSBNC06	SLPTAUSBNC06	1.0	66
Audio Input Selector	RXAES	RXAES	2.0	68
Digital Audio Input TRDSP	TRDSP	TRDSP	2.0	71
Optional 24Vsupply board	SLBATT24-001	SLBATT24-001	2.1	72

Document History

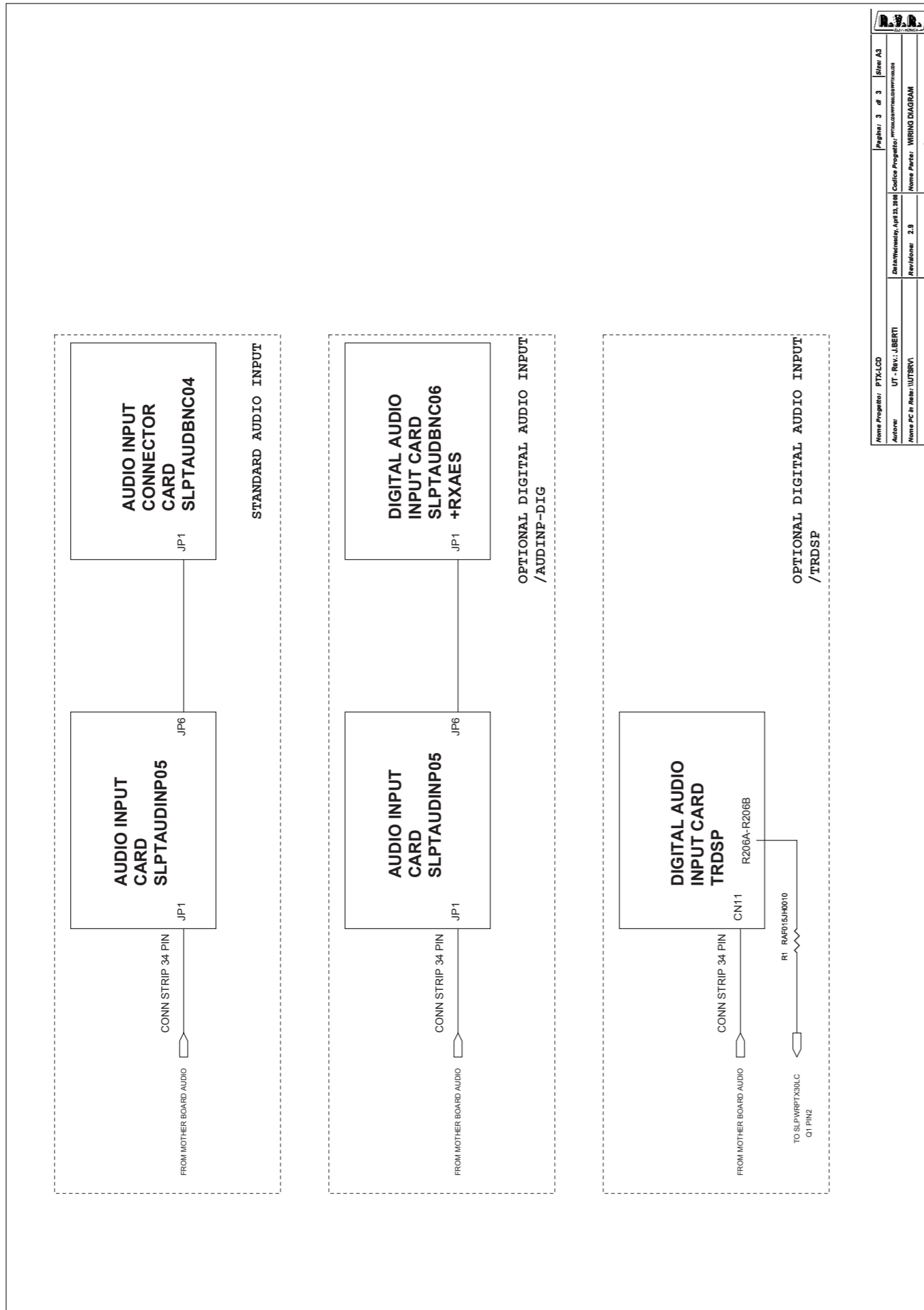
Date	Version	Reason	Code	Editor
06/06/07	4.6	Wiring Diagrams & CPU Audio Input Card Upgraded	RM6906/RM7206	J.H. Berti
24/04/08	4.7	Wiring Diagrams, CPU Interface, CPU 8Bit Card & Main Panel Card Upgraded	RM5207	J.H. Berti



Nome Progetto: PTX30 LCD		Pagina: 1 di 3		Size: A2
Autore: UT - Rev.: J.BERTI	Data: Wednesday, April 23, 2008	Codice Progetto: PPTX30LCDS		
Nome PC in Rete: IUTSRVA	Revisione: 2.0	Nome Parte: WIRING DIAGRAM		
File/Cartella: wiring.dsn	Autore/Revisione:	Codice: /		



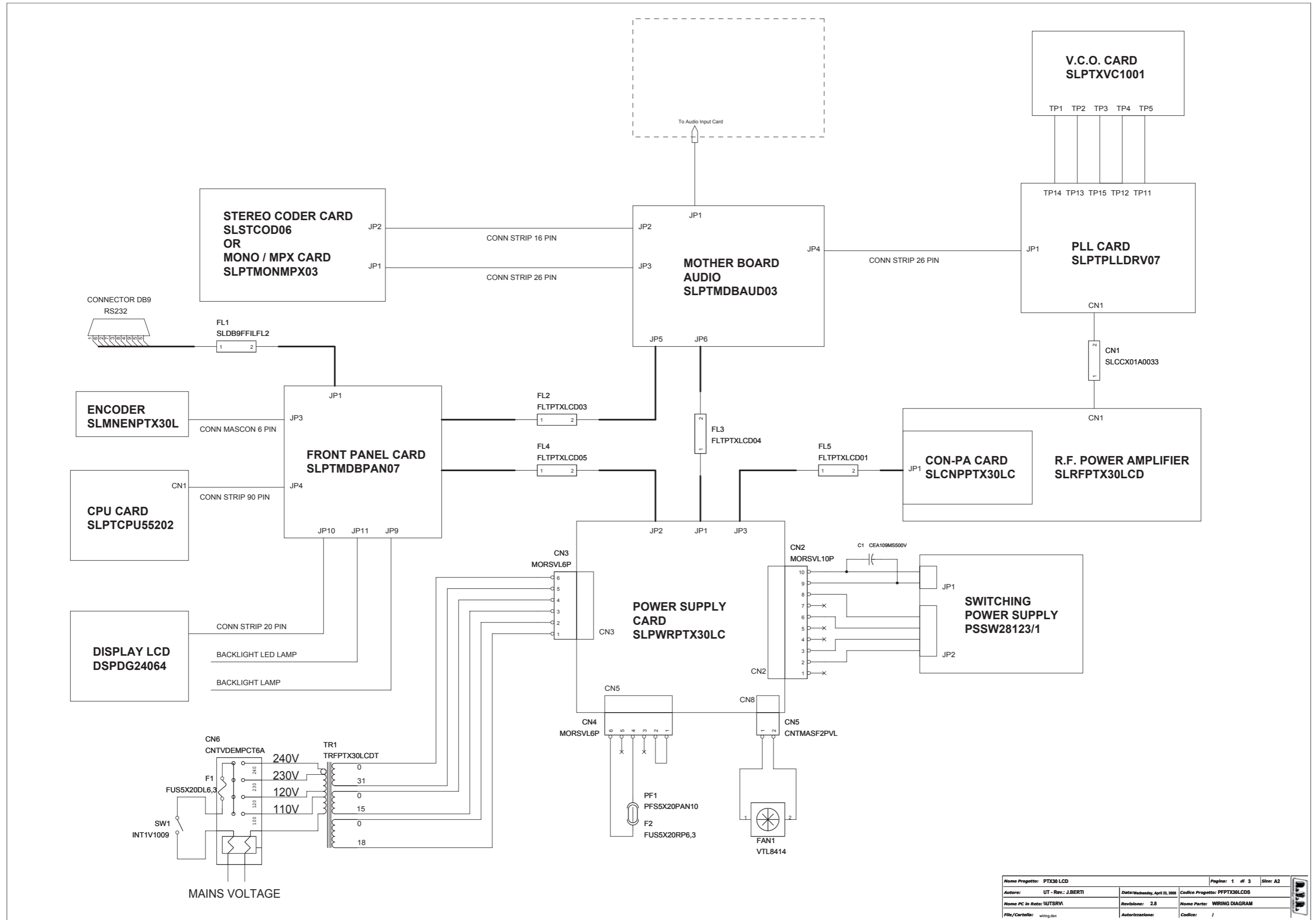
Nome Progetto: PTX60 LCD e PTX100 LCD	Page: 2 di 3	Size: A2
Autore: UT - Rev.: J.BERTI	Data: Wednesday, April 23, 2008	Codice Progetto: PPTX60LCD/PPPTX100LCD
Nome PC in Rete: NUTSRV	Revisione: 2.9	Nome Parte: WIRING DIAGRAM
File/Cartella: wiring.dsn	Autorizzazione:	Codice: /



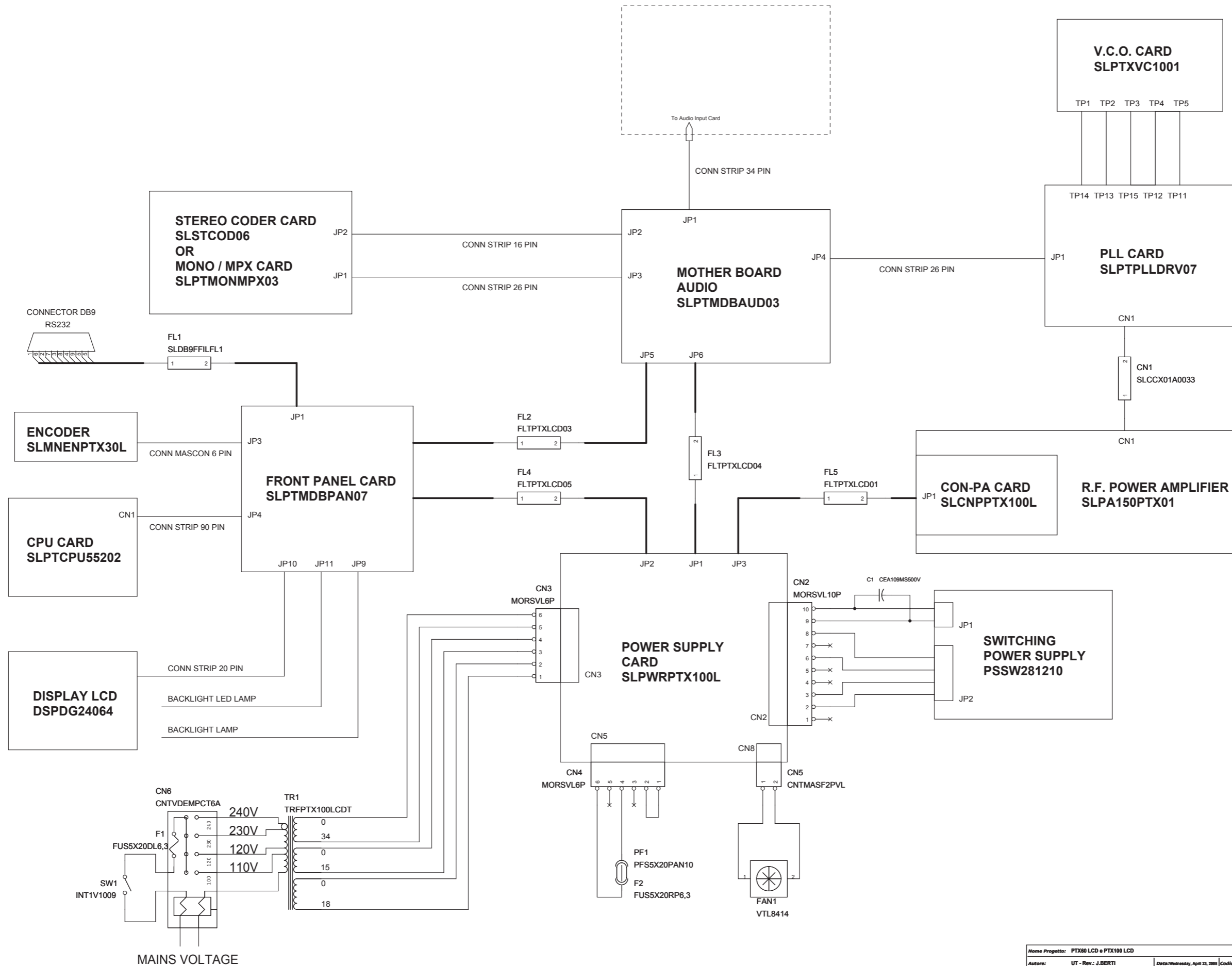
Nome Progetto: PTX-LCD	Figura: 3	di 3	Lista AS
Autore: UT - Rev. J. BERTI	Data Verifica: 14/03/2008		
Nome PC in Rete: \UTSRV1	Rev./Data: 2,3		
Rev./Data: 2,3	Nome Parte: WIRING DIAGRAM		
Rev./Data: 2,3	Codice: /		

WIRING DIAGRAM - Bill Of Materials

Item	Quantity	Reference Part
1	1	C1 CEA109MS500V
2	1	CN1 SLCCX01A0033
3	1	CN2 MORSVL10P
4	2	CN4,CN3 MORSVL6P
5	1	CN5 CNTMASF2PVL
6	1	CN6 CNTVDEMPCT6A
7	1	FAN1 VTL8414
8	1	FL1 SLDB9FFILFL1
9	1	FL2 FLTPTXLCD03
10	1	FL3 FLTPTXLCD04
11	1	FL4 FLTPTXLCD05
12	1	FL5 FLTPTXLCD01
13	1	F1 FUS5X20DL6,3
14	1	F2 FUS5X20RP6,3
15	1	PF1 PFS5X20PAN10
16	1	SW1 INT1V1009
17	1	TR1 TRFPTX30LCDT
18	1	R1 RAF015JH0010 (only with TRDSP option)



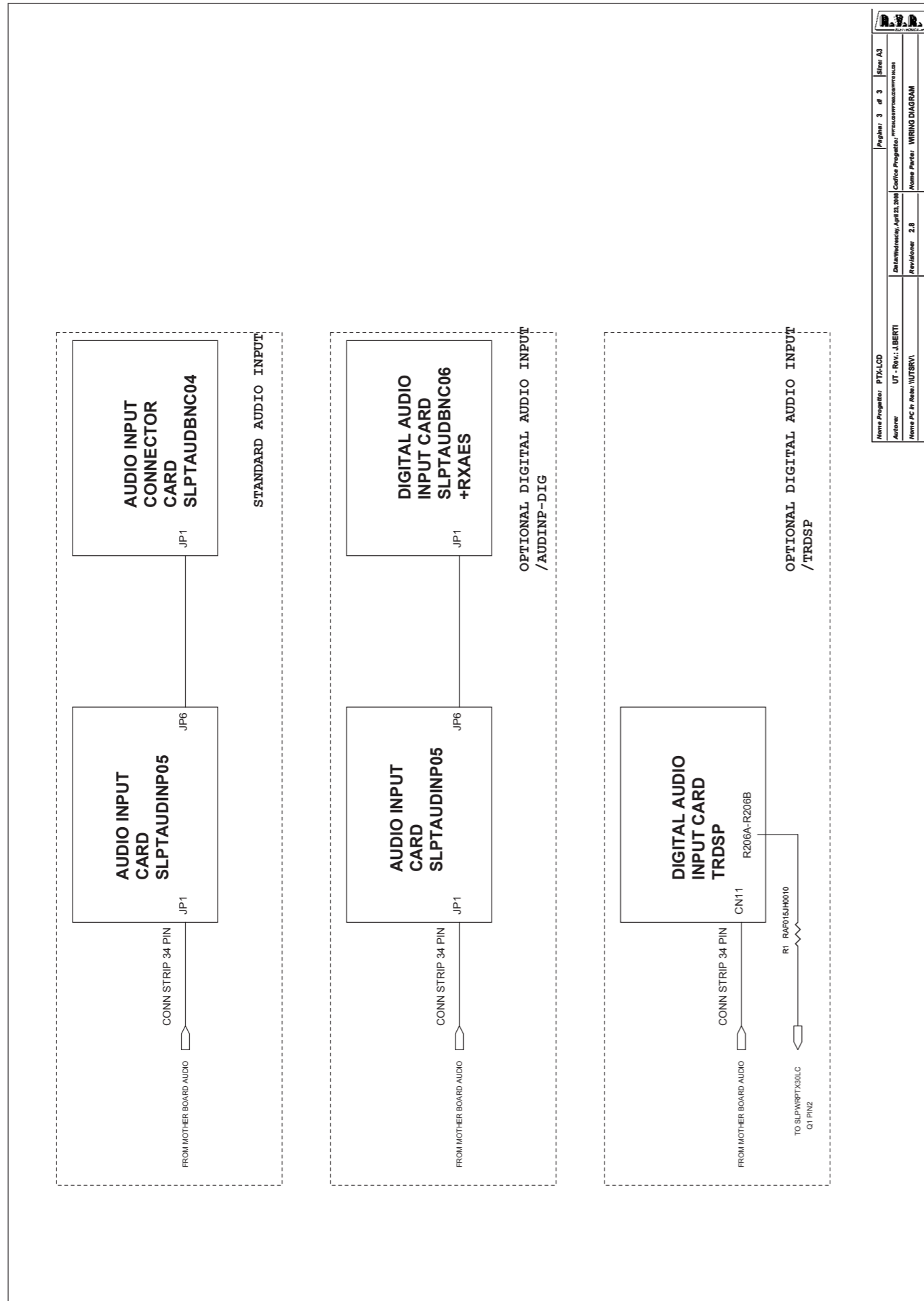
Nome Progetto: PTX30 LCD	Pagina: 1 di 3	Size: A2
Autore: UT - Rev: J.BERTI	Data: Wednesday, April 23, 2008	Codice Progetto: PPTX30LCD8
Nome PC in Rete: WUTSRV	Revisione: 2.8	Nome Parte: WIRING DIAGRAM
File/Cartella: wiring.dsn	Autore/Revisione:	Codice: /



Nome Progetto: PTX60 LCD e PTX100 LCD		Pagina: 2 di 3		Size: A2
Autore: UT - Rev.: J.BERTI	Data: Wednesday, April 23, 2008	Codice Progetto: PPTX60LCDSPPTX100LCDS		
Nome PC in Rete: \UTSRV\	Revisione: 2.8	Nome Parte: WIRING DIAGRAM		
File/Cartella: wiring.dsn	Autorizzazione:	Codice: /		

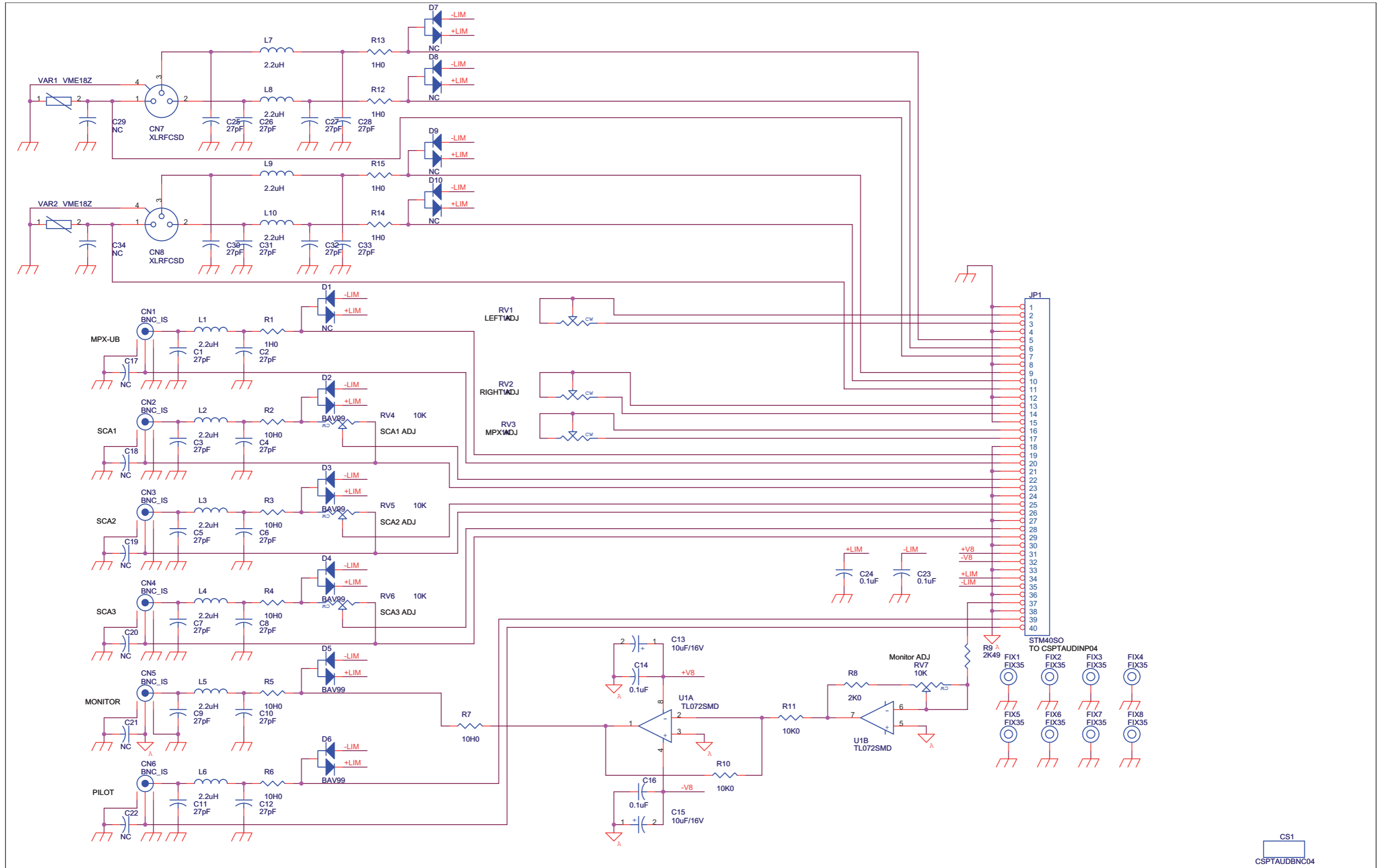
8bit Version Wiring Diagrams

WIRING DIAGRAM - Bill Of Materials



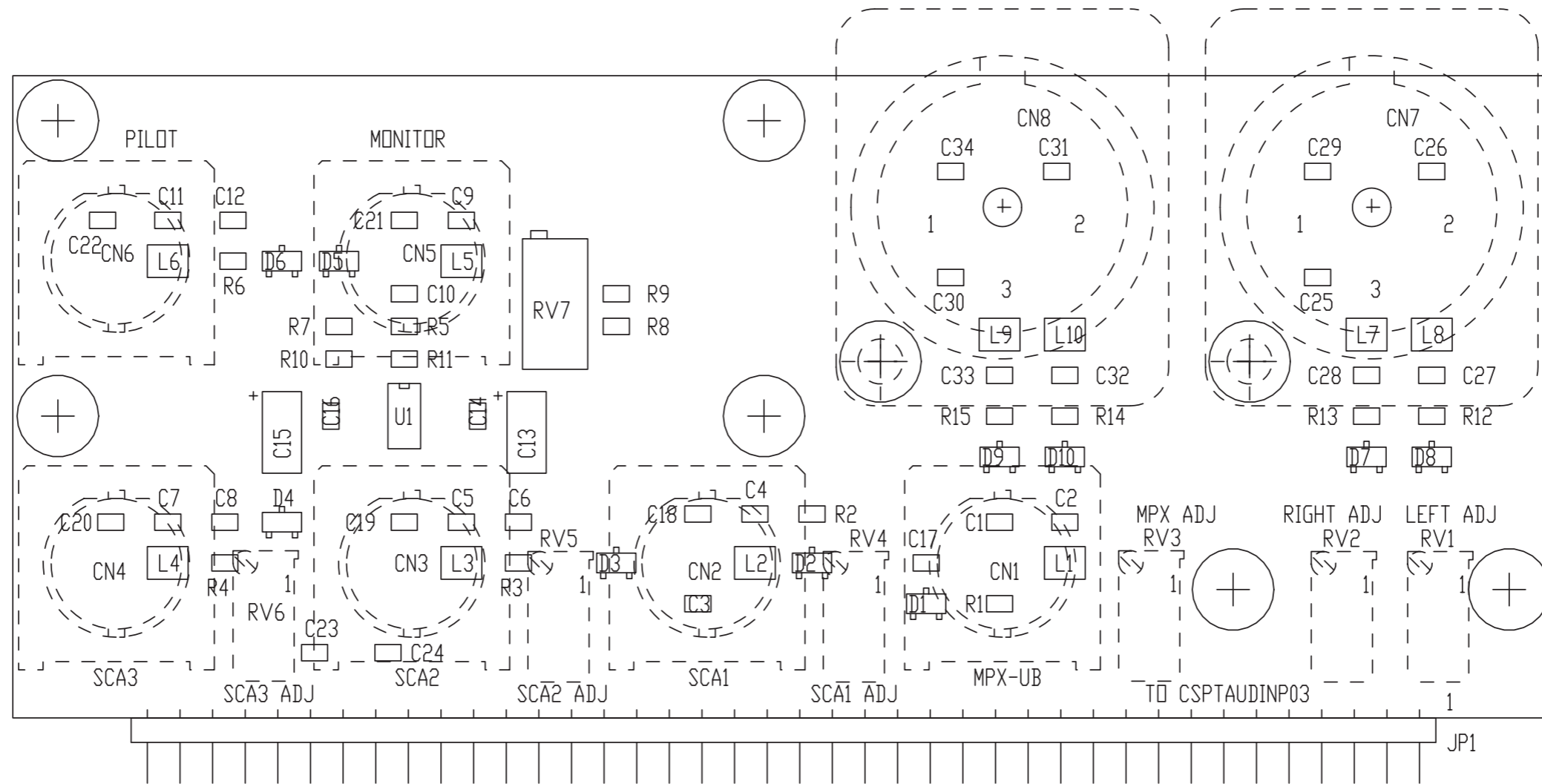
Nome Progetto:	PTX LCD	Page:	3	di	3	Size:	A3
Autore:	UT - Rev. J. LIBERTI	Definizione:	2.8	Nome File:	WIRING DIAGRAM		
Nome PC in Rete:	11UTSRV1	Revisione:		Autore:			
File/Caricatore:	WIRING.DWG						

Item	Quantity	Reference Part
1	1	C1 CEA109MS500V
2	1	CN1 SLCCX01A0033
3	1	CN2 MORSVL10P
4	2	CN4,CN3 MORSVL6P
5	1	CN5 CNTMASF2PVL
6	1	CN6 CNTVDEMPCT6A
7	1	FAN1 VTL8414
8	1	FL1 SLDB9FFILFL1
9	1	FL2 FLTPTXLCD03
10	1	FL3 FLTPTXLCD04
11	1	FL4 FLTPTXLCD05
12	1	FL5 FLTPTXLCD01
13	1	F1 FUS5X20DL6,3
14	1	F2 FUS5X20RP6,3
15	1	PF1 PFS5X20PAN10
16	1	SW1 INT1V1009
17	1	TR1 TRFPTX30LCDT
18	1	R1 RAF015JH0010 (only with TRDSP option)



CS1
CSPTAUBNC04

Nome Progetto: PTX30 LCD		Pagina: 1 di 1		Size: A3
Autore: Ufficio Tecnico	Data: 15/12/2005	Codice Progetto: _057		
Nome PC in Rete: \UTSRV\	Revisione: 2.2	Nome Parte: BNC Connectors Card		
File/Cartella: 1	Autorizzazione:	Codice: SLPTAUBNC04		



Nome Progetto: PTX30 LCD		Pagina: 1 di 1	Size: A3
Autore: Ufficio Tecnico	Data: 18/06/03	Codice Progetto: PFPTX30LCDS	
Nome PC in Rete: \\UT_SRV\PROGETTI	Revisione: 2.0	Nome Parte: BNC Connectors Card	
File/Cartella: MANUAL\PTX30 LCD\SLPTAUDBNC04\AUDBNC04.DWG	Autorizzazione:	Codice: SLPTAUDBNC04	
Scala: /	Materiale: /	Trattamento: /	Profilo: /



SLPTAUBNC04

BNC Connectors Card Revised: 15/12/2005

SLPTAUBNC04 Revision: 2.2

PTX30 LCD

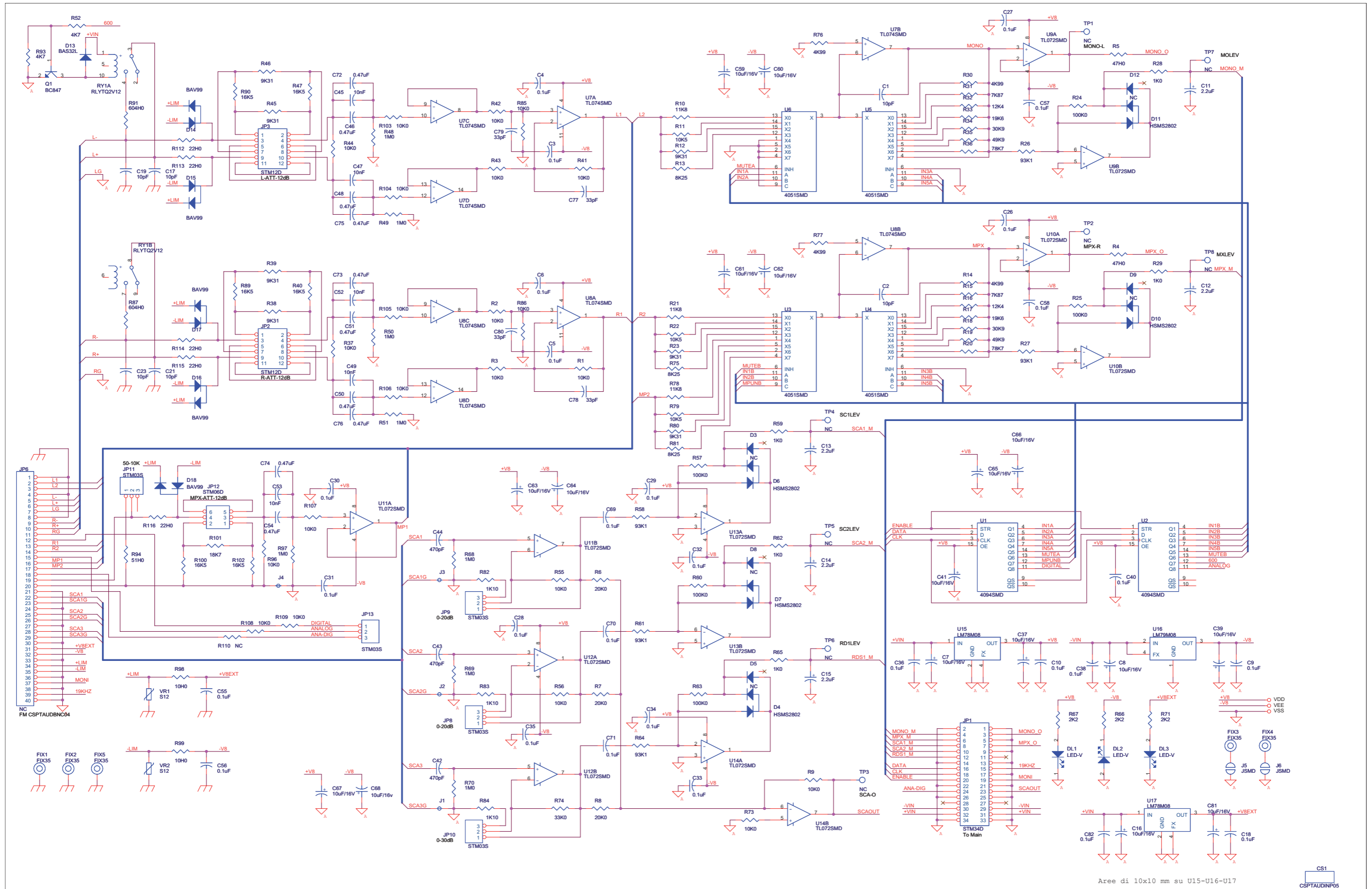
_057

Ufficio Tecnico

Item	Quantity	Reference	Part	Description	Code
1	6	CN1, CN2, CN3, CN4, CN5, CN6	BNC_IS	Connettore BNC metallico	CNTBNCFCMSMA
2	2	CN7, CN8	XLRFCSD	Connettore XLR femm. cs	CNTXLRFCSP
3	1	CS1	CSPTAUBNC04	Circuito stampato	CSPTAUBNC04
4	20	C1, C2, C3, C4, C5, C6, C7, C8, C9, C10, C11, C12, C25, C26, C27, C28, C30, C31, C32, C33	27pF	Cond. SMD 0805	CCC085270JCC
5	2	C13, C15	10uF/16V	Cond. Elett. SMD d. 4mm	CET106C160SM
6	4	C14, C16, C23, C24	0.1uF	Cond. SMD 0805	CCC085104KXC
7	8	C17, C18, C19, C20, C21, C22, C29, C34	NC	Cond. SMD 0805	
8	5	D2, D3, D4, D5, D6	BAV99	Doppio Diodo SMD SOT23	DISBAV99
9	8	FIX1, FIX2, FIX3, FIX4, FIX5, FIX6, FIX7, FIX8	FIX35	Foro fissaggio 3.5mm	
10	1	JP1	STM40SO	Strip maschio 40 pin 90 gradi	CNTSTM40SAL
11	10	L1, L2, L3, L4, L5, L6, L7, L8, L9, L10	2.2uH	Induttanza SMD 3225 (1210)	IMP2U2S120
12	3	RV1, RV2, RV3	1K	Trimmer Rg V 3296W	RVT3296WK001
13	3	RV4, RV5, RV6	10K	Trimmer Rg V 3296W	RVT3296WK010
14	1	RV7	10K	Trimmer Rg H 3296X	RVT3296XK010
15	5	R1, R12, R13, R14, R15	1H0	Res. SMD 0805 1%	RCH085F0001H
16	6	R2, R3, R4, R5, R6, R7	10H0	Res. SMD 0805	RCH085F0010H
17	1	R8	2K0	Res. SMD 0805	RCH085F0002K
18	1	R9	2K49	Res. SMD 0805	RCH085F02K49
19	2	R10, R11	10K0	Res. SMD 0805 1%	RCH085F0010K
20	1	U1	TL072SMD	Dual Op. SMD SO8	CILTL072SMD
21	2	VAR1, VAR2	VME18Z	ESD SMD protector	MOV018V085
22	5	D1, D7, D8, D9, D10	NC	NOT CONNECTED	

Audio Input Card

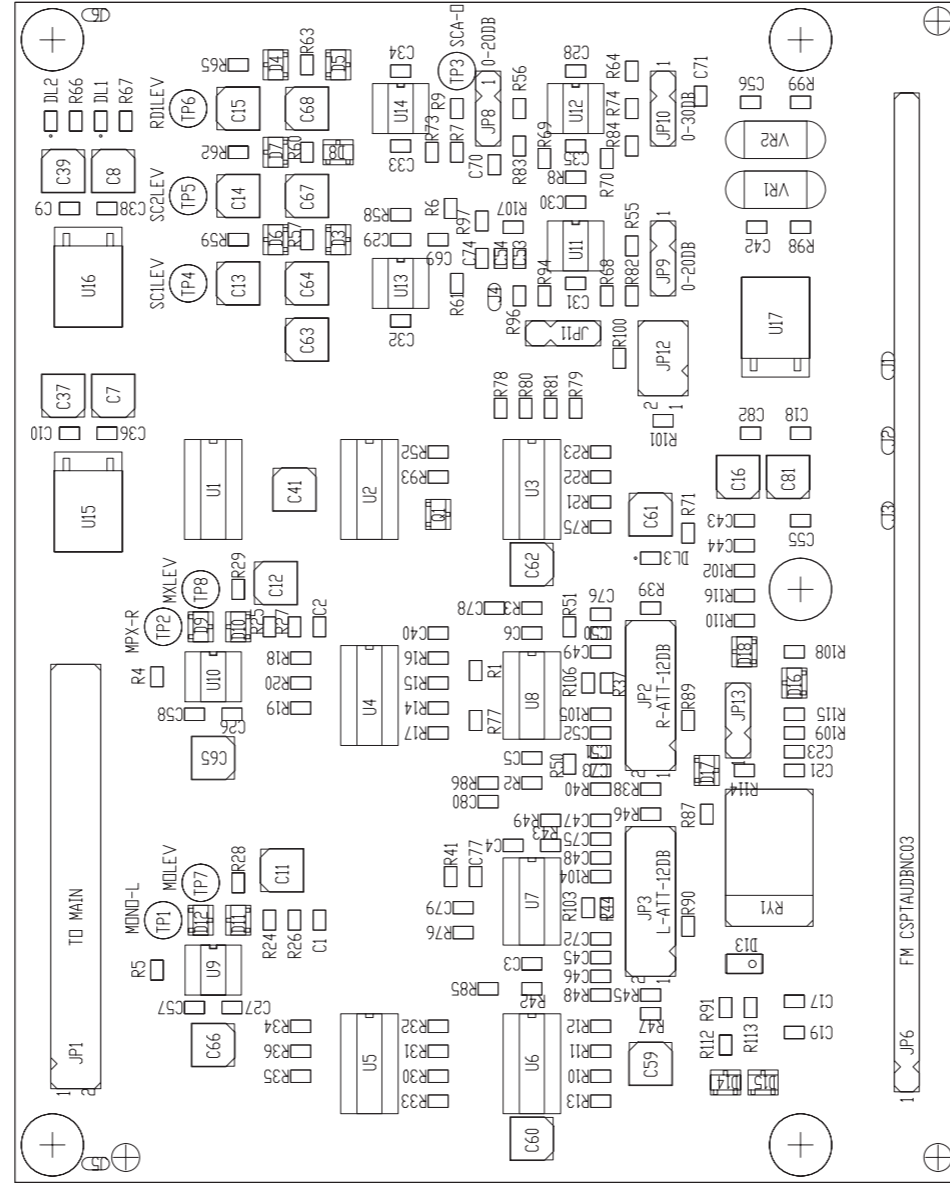
SLPTAUDINP05



Aree di 10x10 mm su U15-U16-U17

CS1 CSPTAUDINP05

Nome Progetto: PTX - LCD	Autore: Tommasi A.	Data: Monday, July 01, 2007	Codice Progetto: 057
Nome PC in Rete: UTRSVRVIRasciati	Revisione: 1.1	Nome Parte: Audio Input Card	
File/Cartella: /	Autore/Revisione:	Codice:	SLPTAUDINP05



NOME PROGETTO: PTX-LCD

NOME PARTE: SCHEDA INPUT

AUTORE: TOMMASI

DATA: 14/12/2005 | REVISIONE: 1.0 | SCALA: 1:1 | SIZE: A4 | PAGINA: 1 DI 1

ARCHIVIAZIONE ELETTRONICA: "CARTELLA PROGETTI" SU "UTSRV"

CODICE PROGETTO: _057 | CODICE DISEGNO: SLPTAUDINP05

MATERIALE: <>

TRATTAMENTO: <>

PROFILO: <>

STATO: ESECUTIVO

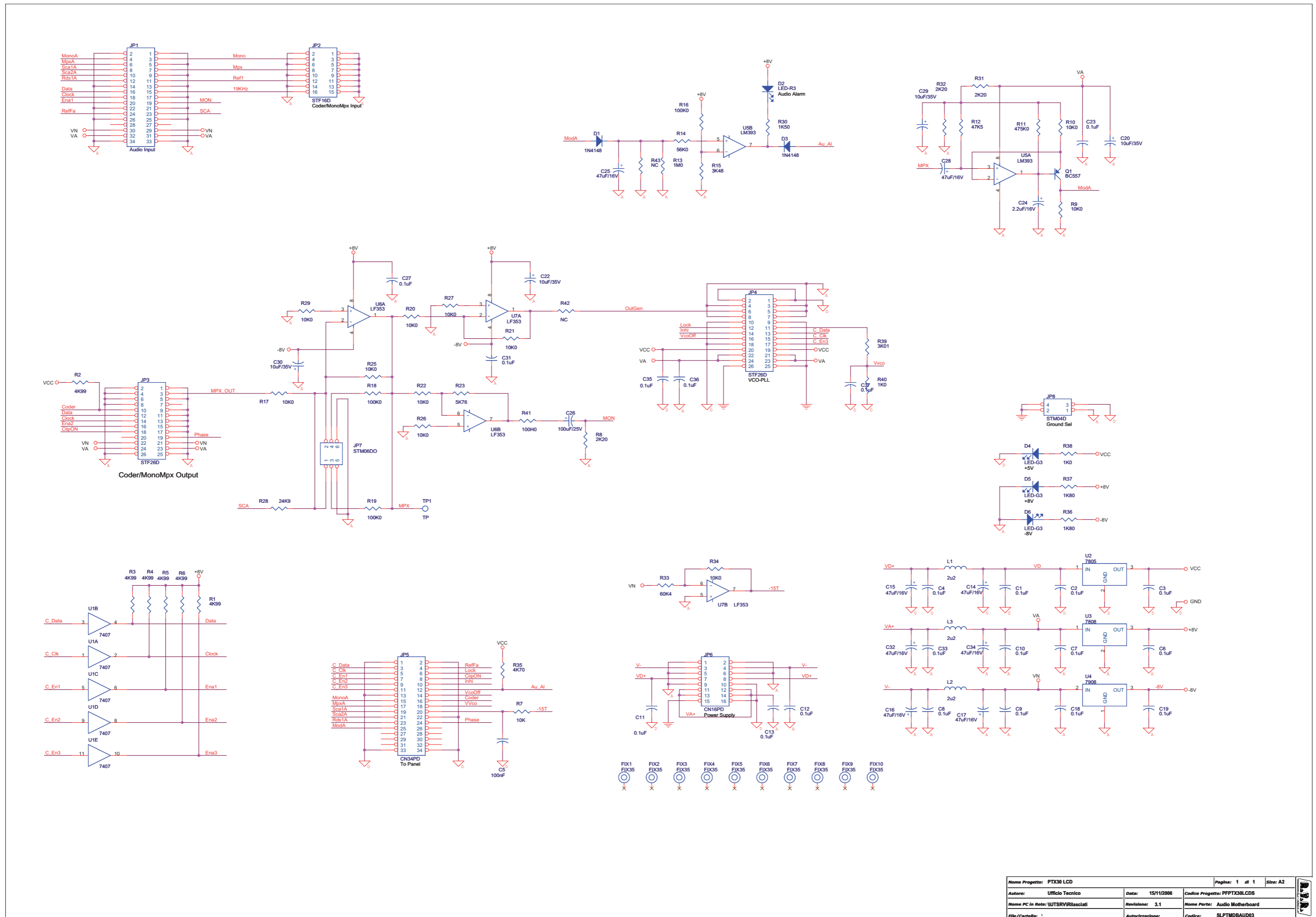
Audio Input Card Revised: 19/12/2006
 SLPTAUDINP05 Revision: 1.1
 PTX - LCD
 _057
 Tommasi A.

Item	Quantity	Reference	Part	Description	Code
1	1	CS1	CSPTAUDINP05	Circuito stampato	CSPTAUDINP04
2	6	C1, C2, C17, C19, C21, C23	10pF	Cond. SMD 0805	CCC085100JCC
3	28	C3, C4, C5, C6, C9, C10, C18, C26, C27, C28, C29, C30, C31, C32, C33, C34, C35, C36, C38, C40, C55, C56, C57, C58, C69, C70, C71, C82	0.1uF	Cond. SMD 0805	CCC085104KXC
4	17	C7, C8, C16, C37, C39, C41, C59, C60, C61, C62, C63, C64, C65, C66, C67, C68, C81	10uF	Cond. Elett. SMD tant. size C	CET106C160SM
5	5	C11, C12, C13, C14, C15	2.2uF	Cond. Elett. SMD d. 4mm	CES225A500
6	3	C42, C43, C44	470pF	Cond. SMD 0805	CCC085471JCC
7	5	C45, C47, C49, C52, C53	10nF	Cond. SMD 0805	CCC085103KXC
8	10	C46, C48, C50, C51, C54, C72, C73, C74, C75, C76	0.47uF	Cond. SMD 0805	CCC085474KXC
9	4	C77, C78, C79, C80	33pF	Cond. SMD 0805	CCC085330JCC
10	2	DL1, DL2	LED-V	LED SMD 0805	LEDV0805
11	5	D3, D5, D8, D9, D12	NC	Diode SMD SOT23	
12	5	D4, D6, D7, D10, D11	HSMS2802	Doppio Diode SMD SOT23	DISHSMS2802
13	1	D13	BAS32L	MINIMELF SMD Diode	DISBAS32MINI
14	5	D14, D15, D16, D17, D18	BAV99	Doppio Diode SMD SOT23	DISBAV99
15	5	FIX1, FIX2, FIX3, FIX4, FIX5	FIX35	Foro fissaggio 3.5mm	
16	1	JP1	STM34D	Strip maschio 17+17 pin	
17	2	JP2, JP3	STM12D	Strip maschio 12 pin doppia fila	
18	1	JP6	NC	Strip femmina 40 pin	
19	5	JP8, JP9, JP10, JP11, JP13	STM03S	Strip maschio 3 pin	
20	1	JP12	STM06D	Strip maschio 3+3 pin	
21	4	J1, J2, J3, J4	GNDCC	Non e' un componente	
22	2	J5, J6	JSMD	Pad SMD a saldare	
23	1	Q1	BC847	Trans. NPN SOT23	TRNBC847
24	1	RY1	RLYTQ2V12	Rele' TQ2	RLD2V12V05AM
25	22	R1, R2, R3, R9, R37, R41, R42, R43, R44, R55, R56, R73, R85, R86, R96, R103, R104, R105, R106, R107, R108, R109	10K0	Res. SMD 0805 1%	RCH085F0010K
26	2	R4, R5	47H0	Res. SMD 0805 1%	RCH085F0047H
27	3	R6, R7, R8	20K0	Res. SMD 0805 1%	RCH085F0020K
28	3	R10, R21, R78	11K8	Res. SMD 0805 1%	RCH085F011K8
29	3	R11, R22, R79	10K5	Res. SMD 0805 1%	RCH085F010K5
30	7	R12, R23, R38, R39, R45, R46, R80	9K31	Res. SMD 0805 1%	RCH085F09K31
31	3	R13, R75, R81	8K25	Res. SMD 0805 1%	RCH085F08K25
32	4	R14, R30, R76, R77	4K99	Res. SMD 0805 1%	RCH085F04K99
33	2	R15, R31	7K87	Res. SMD 0805 1%	RCH085F07K87
34	2	R16, R32	12K4	Res. SMD 0805 1%	RCH085F012K4
35	2	R17, R33	19K6	Res. SMD 0805 1%	RCH085F019K6
36	2	R18, R34	30K9	Res. SMD 0805 1%	RCH085F030K9
37	2	R19, R35	49K9	Res. SMD 0805 1%	RCH085F049K9
38	2	R20, R36	78K7	Res. SMD 0805 1%	RCH085F078K7
39	5	R24, R25, R57, R60, R63	100K0	Res. SMD 0805 1%	RCH085F0100K
40	5	R26, R27, R58, R61, R64	93K1	Res. SMD 0805 1%	RCH085F093K1
41	5	R28, R29, R59, R62, R65	1K0	Res. SMD 0805 1%	RCH085F0001K
42	6	R40, R47, R89, R90, R100, R102	16K5	Res. SMD 0805 1%	RCH085F016K5
43	8	R48, R49, R50, R51, R68, R69, R70, R97	1M0	Res. SMD 0805 1%	RCH085F0001M
44	2	R52, R93	4K7	Res. SMD 0805 1%	RCH085F004K7
45	2	R66, R67	2K2	Res. SMD 0805 1%	RCH085F002K2
46	1	R74	33K0	Res. SMD 0805 1%	RCH085F0033K
47	3	R82, R83, R84	1K10	Res. SMD 0805 1%	RCH085F001K1
48	2	R87, R91	604H0	Res. SMD 0805 1%	RCH085F0604H
49	1	R94	51H0	Res. SMD 0805 1%	RCH085F0051H
50	2	R98, R99	10H0	Res. SMD 0805 1%	RCH085F0010H
51	1	R101	18K7	Res. SMD 0805 1%	RCH085F018K7
52	5	R112, R113, R114, R115, R116	22H0	Res. SMD 0805 1%	RCH085F0022H
53	1	R110	NC	Res. SMD 0805 1%	
54	8	TP1, TP2, TP3, TP4, TP5, TP6, TP7, TP8	NC	Test point	
55	2	U1, U2	4094SMD	Shift Reg. SMD SO16	CID4049SMD
56	4	U3, U4, U5, U6	4051SMD	Analog Switch SMD SO16	CID4051SMD
57	2	U7, U8	TL074SMD	Quad Op. SMD SO14	CILT074SMD
58	6	U9, U10, U11, U12, U13, U14	TL072SMD	Dual Op. SMD SO8	CILT072SMD
59	2	U15, U17	LM78M08	Stabilizzatore SMD DPAK	CIL7808DPAK
60	1	U16	LM79M05	Stabilizzatore SMD DPAK	CIL7908DPAK
61	2	VR1, VR2	S12	Varistor	MOV012V07

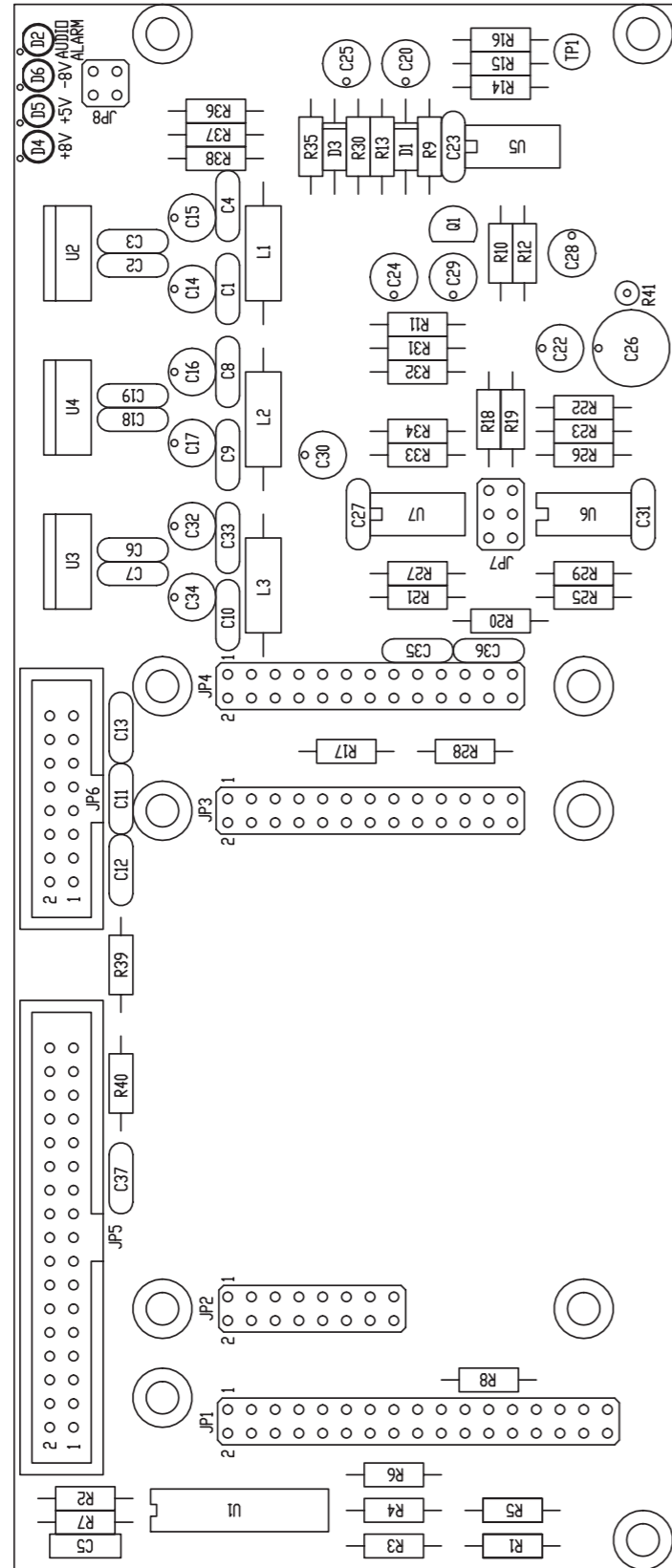
Nota 1

Nota 2

Nota 1	Montati lato saldature
Nota 2	Solo nel caso si utilizzi la scheda in coppia con la SLPTAUDBNC06 e la RXAES nella versione per T-System, R110 sarà da 1K0. (RM72/06)



Nome Progetto: PTX30 LCD	data: 15/11/2006	Autore: Ufficio Tecnico	Codice Progetto: PFTX30LCDS
Nome PC in Rete: WUTSRVIRIasciati	Revisione: 3.1	Nome Parte: Audio Motherboard	
File/Cartella: 1	Autorizzazione:	Codice: SLPTMDBAUD03	

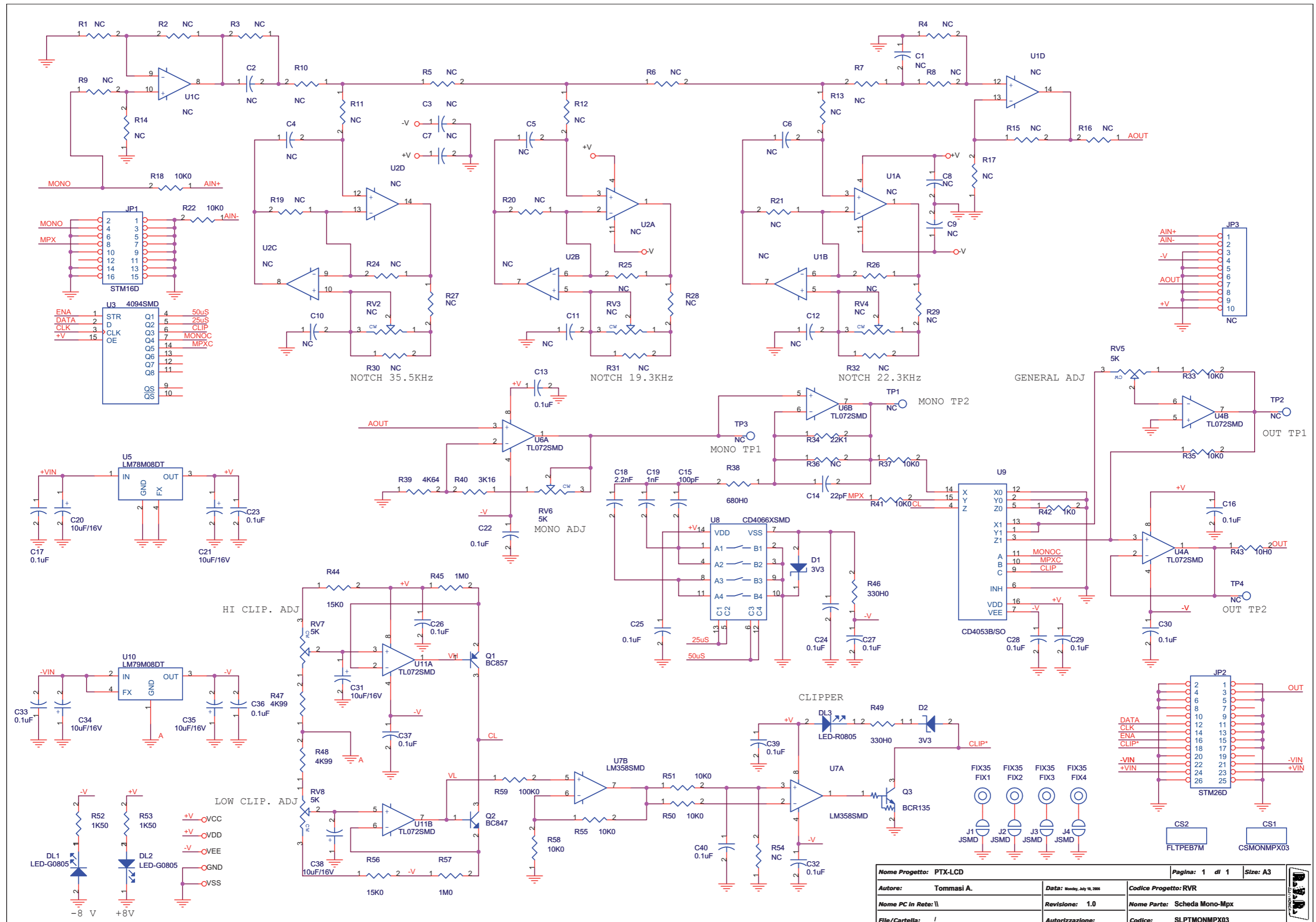


Nome Progetto: PTX30 LCD		Pagina: 1 di 1		Size: A4	
Autore: Ufficio Tecnico		Data: 18/06/03		Codice Progetto: PFPTX30LCDS	
Nome PC in Rete: \\UT_SRV\PROGETTI		Revisione: 2.0		Nome Parte: AUDIO MOTHERBOARD	
File/Cartella/MANUALI/PCB/SLPTMDBAUD03\slptmdbaud03.dwg		Autorizzazione:		Codice: SLPTMDBAUD03	
Scala:		Materiale:		Trattamento:	
				Profilo:	

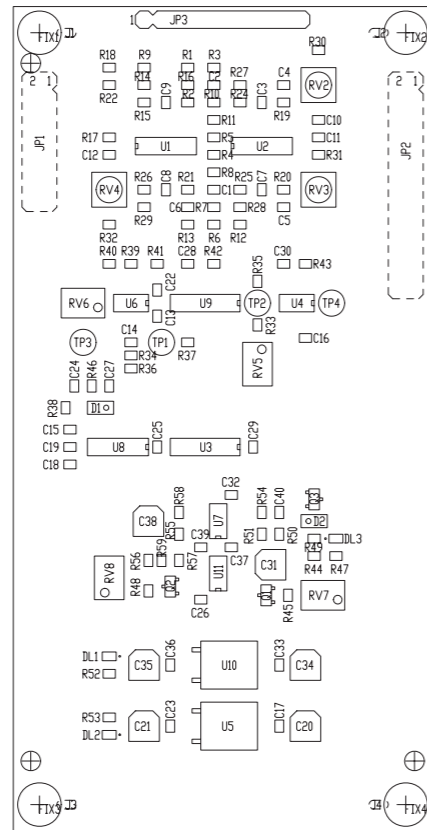
Audio Motherboard Revised: 15/11/06
SLPTMDBAUD03 Revision: 3.1
PTX30 LCD
PFPTX30LCDS
Ufficio Tecnico

Item	Quantity	Reference	Part	Description
1	21	C1, C2, C3, C4, C6, C7, C8, C9, C10, C11, C12, C13, C18, C19, C23, C27, C31, C33, C35, C36, C37	0.1uF	Cond. ceramico p 5mm CKM104KC600P
2	1	C5	100nF	Cond. Poliestere p 5mm CPE104JC630
3	8	C14, C15, C16, C17, C25, C28, C32, C34	47uF/16V	Cond. Elettr. Vert. CEA476MA250V
4	4	C20, C22, C29, C30	10uF/35V	Cond. Elettr. Vert. CEA106MA500V
5	1	C24	2.2uF/16V	Cond. Elettr. Vert. CEA225MA500V
6	1	C26	100uF/25V	Cond. Elettr. Vert. CEA107MA250V
7	2	D1, D3	1N4148	Diode in vetro DO35 DIS1N4148
8	1	D2	LED-R3	LED dia. 3mm LEDR03
9	3	D4, D5, D6	LED-G3	LED dia. 3mm LEDV03
10	10	FIX1, FIX2, FIX3, FIX4, FIX5, FIX6, FIX7, FIX8, FIX9, FIX10	FIX35	Foro fissaggio 3.5mm
11	1	JP1		Audio Input CNTSTF17DDB
12	1	JP2	STF16D	Strip femmina 8+8 pin CNTSTF08DDB
13	2	JP3, JP4	STF26D	Strip femmina 13+13 pin CNTSTF13DDB
14	1	JP5	CN34PD	Connettore 34 poli Flat cs CNTMCS34A
15	1	JP6	CN16PD	Connettore 16 poli Flat cs CNTMCS16A
16	1	JP7	STM06DO	Strip maschio 3+3 pin CNTSTM40DDA
17	1	JP8	STM04D	Strip maschio 2+2 pin CNTSTM40DDA
18	3	L1, L2, L3	2u2	Induttanza cilindrica IMP02U2A
19	1	Q1	BC557	Trans. PNP TO92 TRNBC557
20	6	R1, R2, R3, R4, R5, R6	4K99	Res. 1/4W 1% RSM1/4F04K99
22	3	R8, R31, R32	2K20	Res. 1/4W 1% RSM1/4F002K2
23	12	R7, R9, R10, R17, R20, R21, R22, R25, R26, R27, R29, R34	10K0	Res. 1/4W 1% RSM1/4F0010K
24	1	R11	475K0	Res. 1/4W 1% RSM1/4F0475K
25	1	R12	47K5	Res. 1/4W 1% RSM1/4F047K5
26	1	R13	1M0	Res. 1/4W 1% RSM1/4F0001M
27	1	R14	56K0	Res. 1/4W 1% RSM1/4F0056K
28	1	R15	3K48	Res. 1/4W 1% RSM1/4F03K48
29	3	R16, R18, R19	100K0	Res. 1/4W 1% RSM1/4F0100K
30	1	R23	5K76	Res. 1/4W 1% RSM1/4F05K76
31	1	R28	24K9	Res. 1/4W 1% RSM1/4F024K9
32	1	R30	1K50	Res. 1/4W 1% RSM1/4F001K5
33	1	R33	60K4	Res. 1/4W 1% RSM1/4F060K4
34	1	R35	4K70	Res. 1/4W 1% RSM1/4F004K7
35	2	R36, R37	1K80	Res. 1/4W 1% RSM1/4F001K8
36	2	R38, R40	1K0	Res. 1/4W 1% RSM1/4F0001K
37	1	R39	3K01	Res. 1/4W 1% RSM1/4F03K01
38	1	R41	100H0	Res. 1/4W 1% RSM1/4F0100H
39	2	R42, R43	NC	Res. 1/4W 1%
40	1	TP1	TP	Test point CNTSTM40SDA
41	1	U1	7407	CID7407
42	1	U2	7805	Stabilizzatore TO220 CIL7805P
43	1	U3	7808	Stabilizzatore TO220 CIL7808P
44	1	U4	7908	Stabilizzatore TO220 CIL7908P
45	1	U5	LM393	CILLM393
46	2	U6, U7	LF353	CILLF353
47	1	CS1		CSPTMDBAUD03

NOTE L.S. TAGLIO DI PISTA SU JP6 TRA IL PIN8 E IL PIN12
UNIRE POI IL PIN8 E IL PIN17 CON UN PONTE DI STAGNO



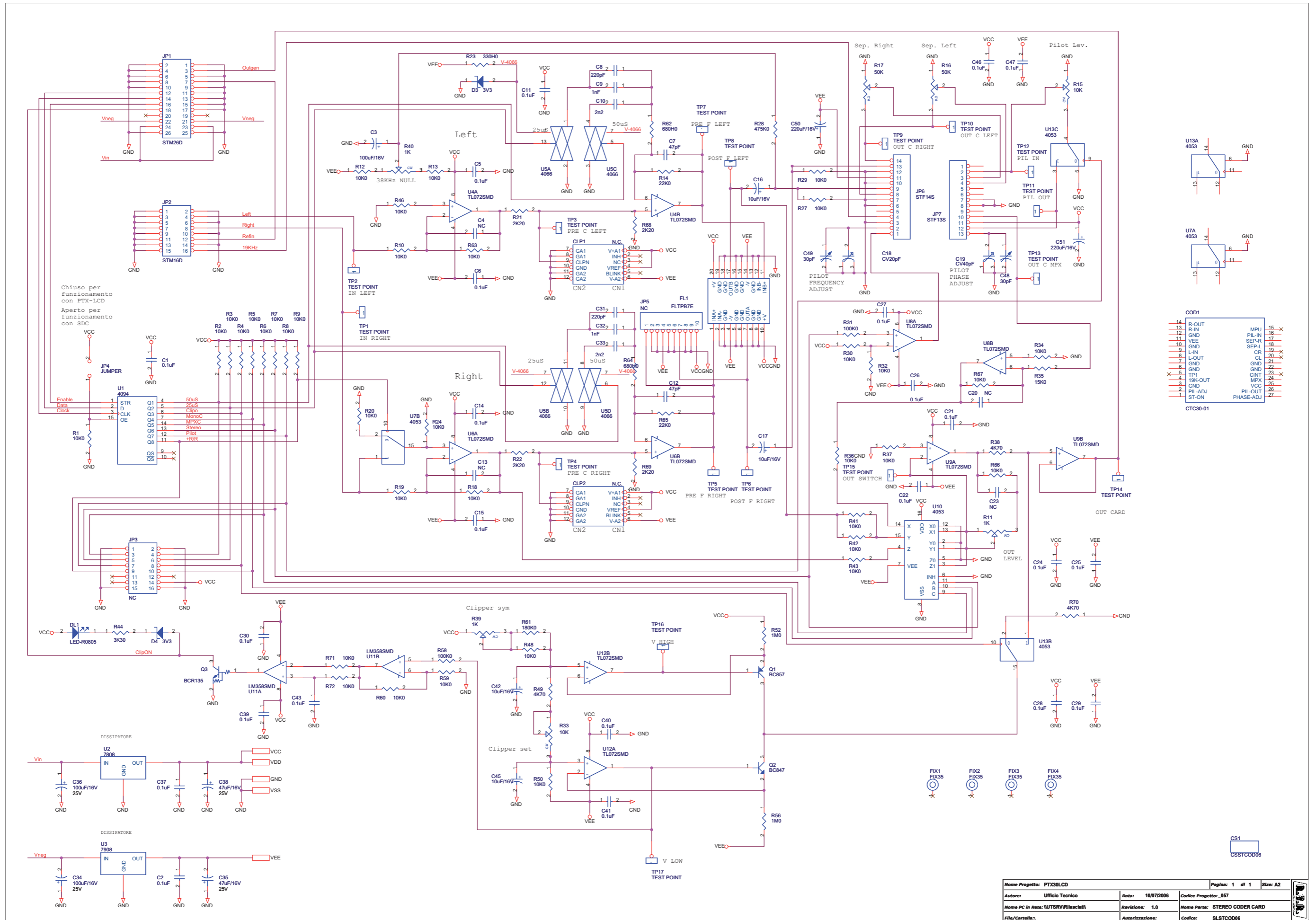
Nome Progetto: PTX-LCD		Pagina: 1 di 1		Size: A3	
Autore: Tommasi A.	Data: Monday, July 19, 2008	Codice Progetto: RVR			
Nome PC in Rete: \l	Revisione: 1.0	Nome Parte: Scheda Mono-Mpx			
File/Cartella: /	Autorizzazione:	Codice: SLPTMONMPX03			



Scheda Mono-Mpx Revised: Monday, July 10, 2006
SLPTMONMPX03 Revision: 1.0
Tommasi A.
Bill Of Materials July 10,2006 10:20:28

Item	Quantity	Reference	Part	Description	Code
1	1	CS1	CSMONMPX03	Circuito stampato	CSPTMONMPX03
2	1	CS2	FLTPEB7M	Circuito filtro audio 15 Khz	FLTPEB7M
3	8	C1,C2,C4,C5,C6,C10,C11,C12	NC	Cond. SMD 0805 COG	
4	4	C3,C7,C8,C9	NC	Cond. SMD 0805	
5	18	C13,C16,C17,C22,C23,C24,C25,C26,C27,C28,C29,C30,C32,C33,C36,C37,C39,C40	0.1uF	Cond. SMD 0805	CCC085104KXC
6	1	C14	22pF	Cond. SMD 0805 COG	CCC085220JCC
7	1	C15	100pF	Cond. SMD 0805 COG	CCC085101JCC
8	1	C18	2.2nF	Cond. SMD 0805 COG	CCC085222GCC
9	1	C19	1nF	Cond. SMD 0805 COG	CCC085102GCC
10	6	C20,C21,C31,C34,C35,C38	10uF/16V	Cond. Elett. SMD d. 4mm	CES106A160
11	2	DL1,DL2	LED-G0805	LED SMD 0805	LEDV0805
12	1	DL3	LED-R0805	LED SMD 0805	LEDRO805
13	2	D1,D2	3V3	MINIMELF SMD Zener Diode	DIZ3V3MINI
14	4	FIX1,FIX2,FIX3,FIX4	FIX35	Foro fissaggio 3.5mm	
15	1	JP1	STM16D	Strip maschio 8+8 pin	CNTSTM08DDD
16	1	JP2	STM26D	Strip maschio 13+13 pin	CNTSTM13DDD
17	1	JP3	NC	Strip maschio 10 pin	
18	4	J1,J2,J3,J4	JSMD	Pad SMD a saldare	
19	1	Q1	BC857	Trans. PNP SOT23	TRNBC857
20	1	Q2	BC847	Trans. NPN SOT23	TRNBC847
21	1	Q3	BCR135	Trans./Res. NPN SOT23	TRNBCR135
22	3	RV2,RV3,RV4	NC	Trimmer SMD	
23	4	RV5,RV6,RV7,RV8	5K	Trimmer Rg V 3269W SMD	RVT3269WK005
24	31	R1,R2,R3,R4,R5,R6,R7,R8,R9,R10,R11,R12,R13,R14,R15,R16,R17,R19,R20,R21,R24,R25,R26,R27,R28,R29,R30,R31,R32,R36,R54	NC	Res. SMD 0805	
25	10	R18,R22,R33,R35,R37,R41,R50,R51,R55,R58	10K0	Res. SMD 0805	RCH085F0010K
26	1	R34	22K1	Res. SMD 0805	RCH085F022K1
27	1	R38	680H0	Res. SMD 0805	RCH085F0680H
28	1	R39	4K64	Res. SMD 0805	RCH085F04K64
29	1	R40	3K16	Res. SMD 0805	RCH085F03K16
30	1	R42	1K0	Res. SMD 0805	RCH085F0001K
31	1	R43	10H0	Res. SMD 0805	RCH085F0010H
32	2	R44,R56	15K0	Res. SMD 0805	RCH085F0015K
33	2	R45,R57	1M0	Res. SMD 0805	RCH085F0001M
34	2	R46,R49	330H0	Res. SMD 0805	RCH085F0330H
35	2	R47,R48	4K99	Res. SMD 0805	RCH085F04K99
36	2	R52,R53	1K50	Res. SMD 0805	RCH085F001K5
37	1	R59	100K0	Res. SMD 0805	RCH085F0100K
38	4	TP1,TP2,TP3,TP4	NC	Test point	
39	2	U1,U2	NC	Quad Op. SMD SO14	
40	1	U3	4094SMD	Integrato Idig. 4094 SMD	CID4094SMD
41	3	U4,U6,U11	TL072SMD	Integrato lin. TL072 SMD	CILT072SMD
42	1	U5	78M08DT	Stabilizzatore SMD DPAK	CIL78M08DPAK
43	1	U7	LM358SMD	Dual Op. SMD SO8	CILLM358SMD
44	1	U8	CD4066XSMD	Analog Switch SMD SO14	CID4066SMD
45	1	U9	CD4053B/SO	Analog Switch SMD SO16	CID4053SMD
46	1	U10	79M08DT	Stabilizzatore SMD DPAK	CIL79M08DPAK

R.V.R. ELETTRONICA	NOME PROGETTO: PTX-LCD	NOME PARTE: SCHEDA MONO/MPX			
	AUTORE: A. TOMMASI	DATA: 10/07/2006	REVISIONE: 1.0	SCALA: 1:1	SIZE: A4
ARCHIVIAZIONE ELETTRONICA: "CARTELLA RILASCIATI" SU "UTSRV"	CODICE PROGETTO: _057	CODICE DISEGNO: SLPTMONMPX03			
MATERIALE: <>	TRATTAMENTO: <>	PROFILO: <>	STATO: ESECUTIVO		



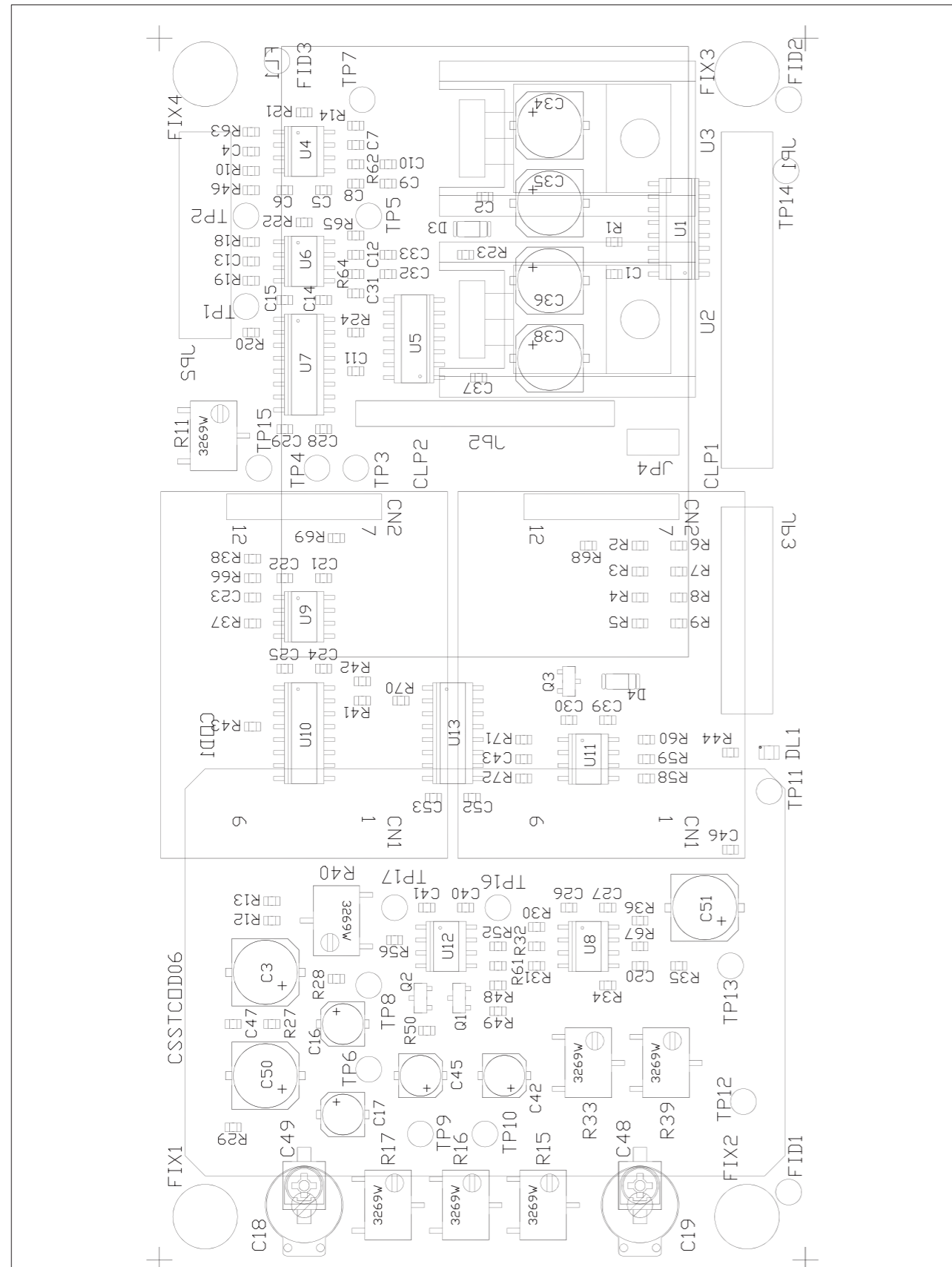
COD1

14	R-OUT	MPU
13	R-IN	PIL-IN
12	GND	SEP-R
11	VEE	SEP-L
10	GND	CR
9	L-IN	CL
8	GND	CL
7	L-OUT	CL
6	GND	CNT
5	TP1	MPX
4	19K-OUT	GND
3	GND	VCC
2	PIL-ADJ	PIL-OUT
1	ST-ON	PHASE-ADJ

Nome Progetto: PTX0LCD	Pagina: 1 di 1	Size: A2
Autore: Ufficio Tecnico	Data: 10/07/2006	Codice Progetto: 057
Nome PC in Rete: WUTSRV\riasciati	Revisione: 1.0	Nome Parte: STEREO CODER CARD
File/Cartella:	Autorizzazione:	Codice: SLSTCOD06

STEREO CODER CARD Revised: Monday, July 10, 2006
SLSTCOD06 Revision: 1.0
PTX30 LCD
_057

Item	Quantity	Reference	Part	Description	Code
1	2	CLP1,CLP2	N.C.	Scheda option	
2	1	COD1	CTC30-01	Coder stereo IRV30CT	SLCTC30V03
3	1	CS1	CSSTCOD06	Circuito stampato	CSSTCOD06
4	23	C1,C2,C5,C6,C11,C14,C15, C21,C22,C24,C25,C26,C27, C28,C29,C30,C37,C39,C40, C41,C43,C46,C47	0.1uF	Cond. ceramico 0603/0805	CCC085104KXC
5	3	C3,C34,C36	100uF/16V	Cond. elett SMD dia 6mm	CES107C160
6	4	C4,C13,C20,C23	NC	Cond. ceramico 0603/0805	
7	2	C7,C12	47pF	Cond. ceramico 0805	CCC085470JCC
8	2	C8,C31	220pF	Cond. ceramico 0805	CCC085221JCC
9	2	C9,C32	1nF	Cond. ceramico 0805 2%	CCC085102GCC
10	2	C10,C33	2n2	Cond. ceramico 0805 2%	CCC085222GCC
11	4	C16,C17,C42,C45	10uF/16V	Cond. elet. SMD dia 4mm	CES106A160
12	1	C18	CV20pF	Comp. ceramico dia. 7mm	CVF220D07
13	1	C19	CV40pF	Comp. ceramico dia. 7mm	CVF400D07
14	2	C35,C38	47uF/16V	Cond. elettrolitico	CES476C160
15	2	C48,C49	NC	Comp. var. Murata TZB4B	
16	2	C50,C51	220uF/16V	Cond. elettrolitico	CES227E160
17	1	DL1	LED-R0805	LED SMD 0805	LEDR0805
18	2	D3,D4	3V3	MINIMELF SMD Zener Diode	DIZ3V3MINI
19	4	FIX1,FIX2,FIX3,FIX4	FIX35	Foro fissaggio 3.5mm	
20	1	FL1	FLTPB7E	Filtro Audio Stereo Positron	FLTPB7M x 2
21	1	JP1	STM26D	Connettore 26 poli Flat cs	CNTSTM13DDD
22	1	JP2	STM16D	Connettore 16 poli Flat cs	CNTSTM8DDD
23	1	JP3	NC	Connettore 16 poli Flat cs	
24	1	JP4	JUMPER	Jumper 2 PIN	
25	1	JP5	NC	Strip femmina 10 pin	
26	1	JP6	STF14S	Strip femmina 14 pin	CNTSTF14SDB
27	1	JP7	STF13S	Strip femmina 13 pin	CNTSTF13SDB
28	1	Q1	BC857	Trans. PNP SOT23	TRNBC857
29	1	Q2	BC847	Trans. NPN SOT23	TRNBC847
30	1	Q3	BCR135	Trans./Res. NPN SOT23	TRNBCR135
31	36	R1,R2,R3,R4,R5,R6,R7,R8, R9,R10,R12,R13,R18,R19, R20,R24,R27,R29,R30,R32, R34,R36,R37,R41,R42,R43, R46,R48,R50,R59,R60,R63, R66,R67,R71,R72	10K0	Res.0805 1%	RCH085F0010K
32	3	R11,R39,R40	1K	Trimmer Rg V 3269W SMD	RVT3269WK001
33	2	R14,R65	22K0	Res.0805 1%	RCH085F0022K
34	2	R15,R33	10K	Trimmer Rg V 3269W SMD	RVT3269WK010
35	2	R16,R17	50K	Trimmer Rg V 3269W SMD	RVT3269WK050
36	4	R21,R22,R68,R69	2K20	Res.0805 1%	RCH085F002K2
37	1	R23	330H0	Res.0805 1%	RCH085F0330H
38	1	R28	475K0	Res.0805 1%	RCH085F0475K
39	2	R31,R58	100K0	Res.0805 1%	RCH085F0100K
40	1	R35	15K0	Res.0805 1%	RCH085F0015K
41	3	R38,R49,R70	4K70	Res.0805 1%	RCH085F004K7
42	1	R44	3K30	Res.0805 1%	RCH085F003K3
43	2	R52,R56	1M0	Res.0805 1%	RCH085F0001M
44	1	R61	180K0	Res.0805 1%	RCH085F0180K
45	2	R62,R64	680H0	Res.0805 1%	RCH085F0680H
46	17	TP1,TP2,TP3,TP4,TP5,TP6, TP7,TP8,TP9,TP10,TP11, TP12,TP13,TP14,TP15,TP16, TP17	NC	TP1	
47	1	U1	CD4094	Shift Reg. SMD	CID4094SMD
48	1	U2	LM7808	Integrato 7808	CIL7808P
49	1	U3	LM7908	Integrato 7908	CIL7908P
50	5	U4,U6,U8,U9,U12	TL072SMD	Dual Op. SO8	CILT072SMD
51	1	U5	CD4066	Integrato SMD 4066	CID4066SMD
52	3	U7,U10,U13	CD4053	Analog Switch SMD SO16	CID4053SMD
53	1	U11	LM358SMD	Dual Comp. SMD SO8	CILLM358SMD



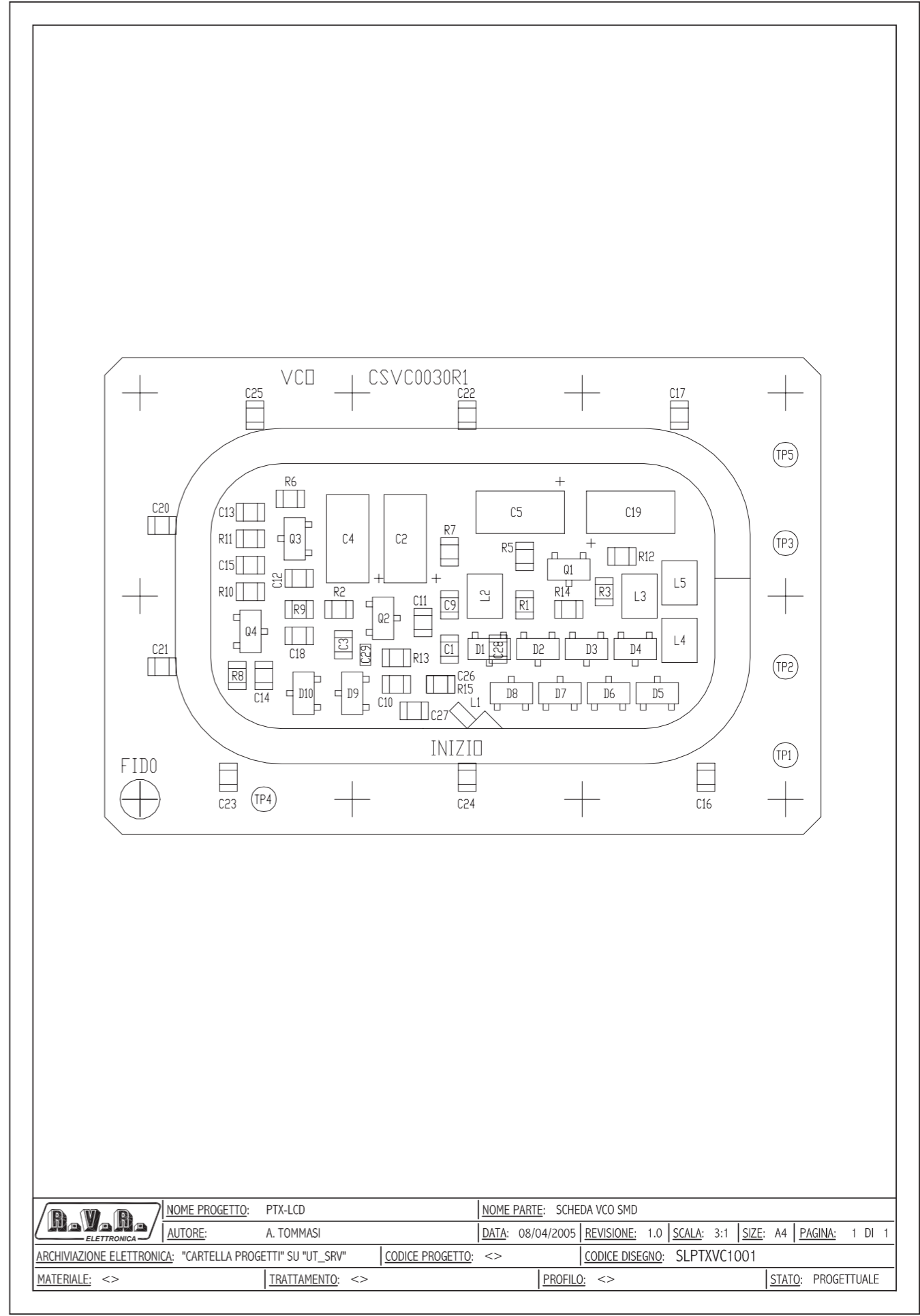
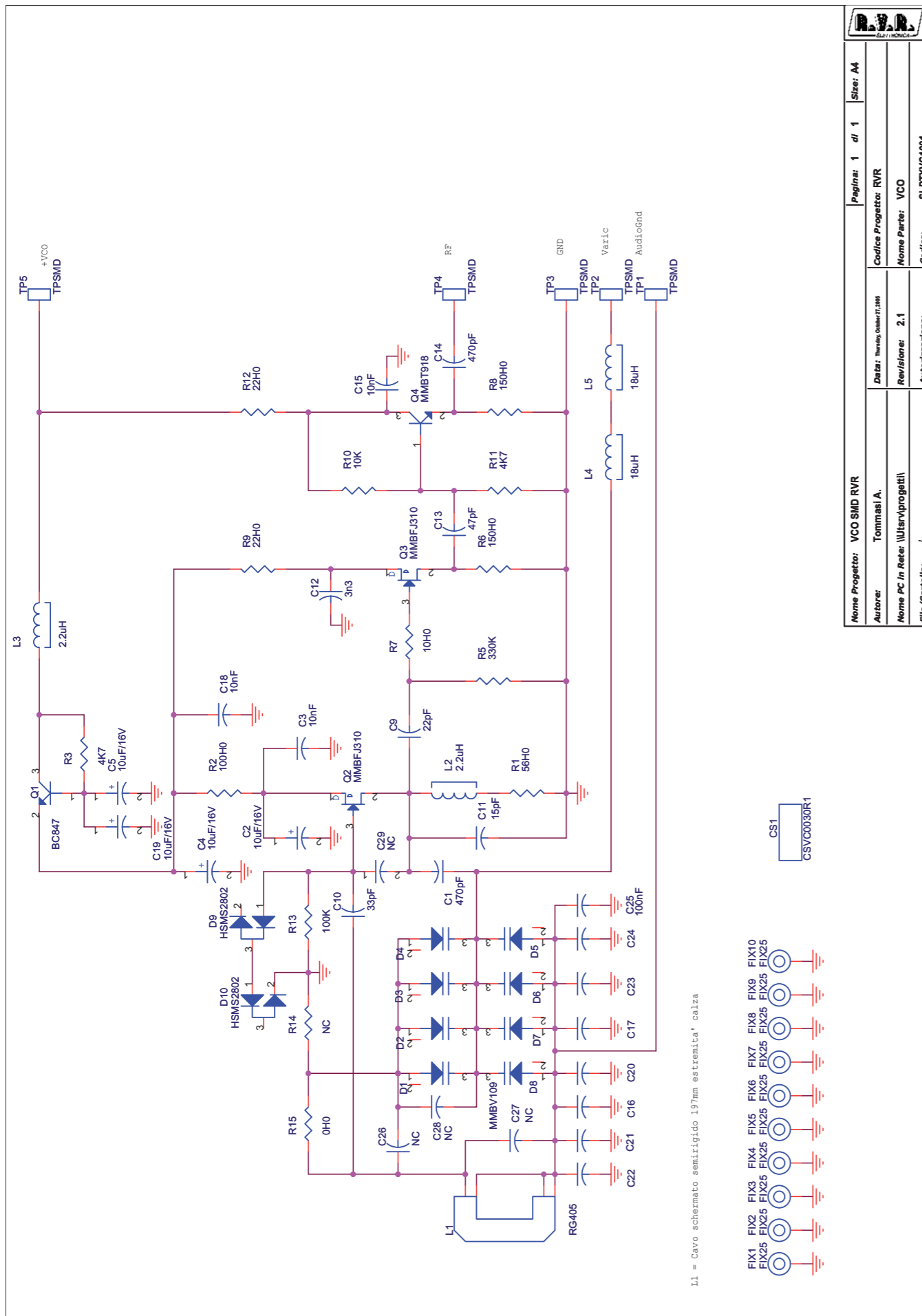
R.V.R. ELETTRONICA

NOME PROGETTO: PTX-LCD NOME PARTE: SCHEDE CODER STEREO

AUTORE: A.TOMMASI DATA: 10/07/2006 REVISIONE: 1.0 SCALA: 2:1 SIZE: A4 PAGINA: 1 DI 1

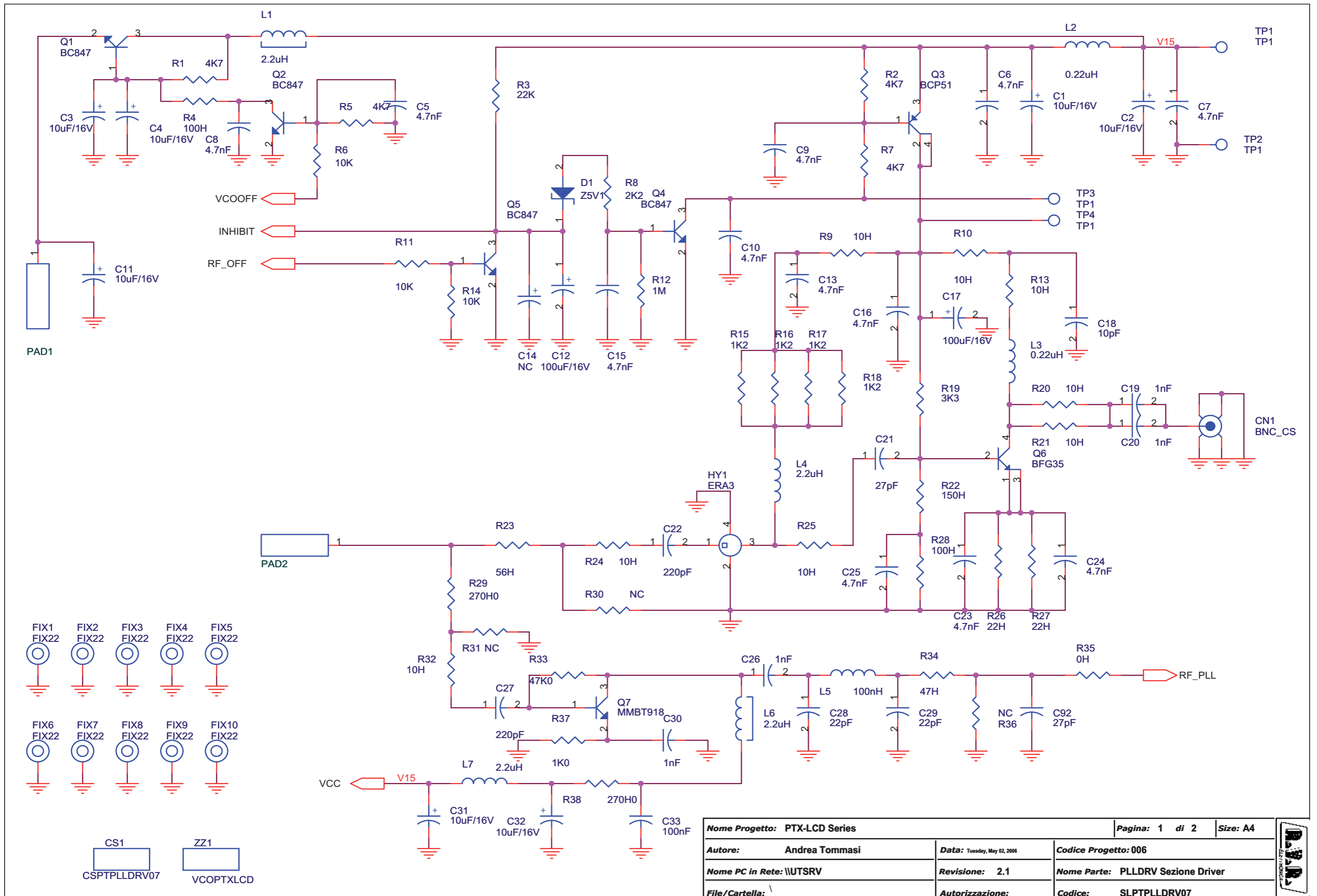
ARCHIVIAZIONE ELETTRONICA: "CARTELLA RILASCIATI" SU "UTSRV" CODICE PROGETTO: _057 CODICE DISEGNO: SLSTCOD06

MATERIALE: <> TRATTAMENTO: <> PROFILO: <> STATO: ESECUTIVO



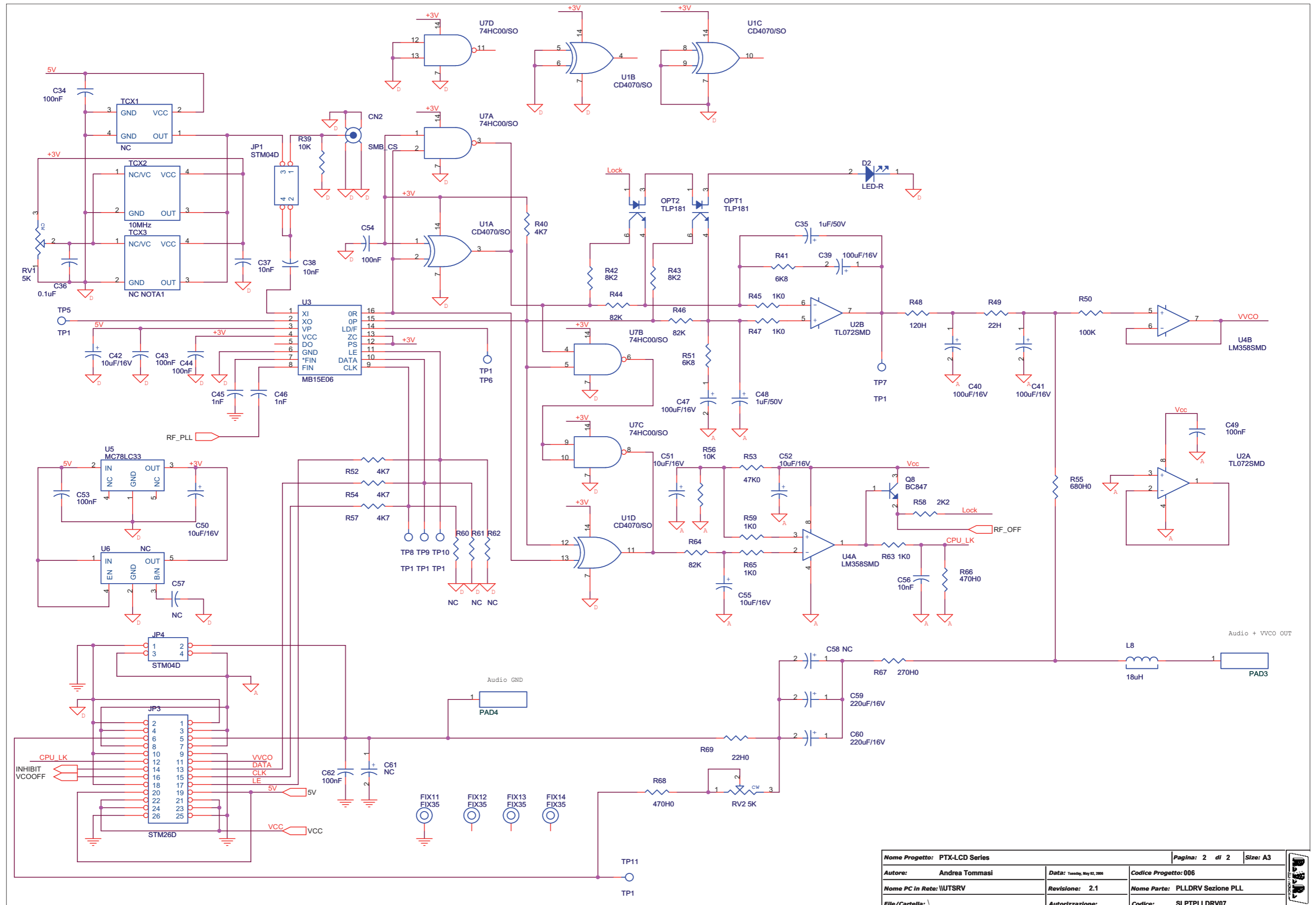
VCO Revised: 02/05/2005					
SLPTXVC1001 Revision: 2.1					
VCO SMD RVR					
RVR					
Tommasi A.					
Item	Q.ty	Reference	Part	Description	Codice
1	1	CS1	CSVC0030R1	Circuito stampato	CSVC0030R1
2	2	C1, C14	470pF	Cond. SMD 0805	CCC085471JCC
3	4	C2, C4, C5, C19	10uF/16V	Cond. Elett. SMD tant. size C	CET106C160SM
4	3	C3, C15, C18	10nF	Cond. SMD 0805	CCC085103KXC
5	1	C9	22pF	Cond. SMD 0805	CCC085220JCC
6	1	C10	33pF	Cond. SMD 0805	CCC085330JCC
7	1	C11	15pF	Cond. SMD 0805	CCC085150JCC
8	1	C12	3n3	Cond. SMD 0805	CCC085332KXC
9	1	C13	47pF	Cond. SMD 0805	CCC085470JCC
10	8	C16, C17, C20, C21, C22, C23, C24, C25	100nF	Cond. SMD 0805	CCC085104KXC
11	3	C26, C27, C28	NC	Cond. SMD 0805	NOTCON- NECTED
12	8	D1, D2, D3, D4, D5, D6, D7, D8	MMBV109	Diodo Varicap SMD SOT23	DIVMMBV109
13	2	D9, D10	HSMS2802	Doppio Diodo SMD SOT23	DISHSMS2802
14	10	FIX1, FIX2, FIX3, FIX4, FIX5, FIX6, FIX7, FIX8, FIX9, FIX10	FIX25	Foro fissaggio 2.5mm	
15	1	L1	RG405	Induttanza a cavo RG405 197mm	CAVTC957/50
16	2	L2, L3	2.2uH	Induttanza SMD 3225 (1210) Schermata	IMP2U2S126S
17	2	L4, L5	18uH	Induttanza SMD 3225 (1210) Schermata	IMP18US126S
18	1	Q1	BC847	Trans. NPN SOT23	TRNBC847
19	2	Q2, Q3	MMBFJ310	Trans. FET SOT23	TRNMMBFJ310
20	1	Q4	MMBT918	Trans. NPN SOT23	TRNMMBT918
21	1	R1	56H0	Res. SMD 0805	RCH085F0056H
22	1	R2	100H0	Res. SMD 0805	RCH085F0100H
23	2	R3, R11	4K7	Res. SMD 0805	RCH085F004K7
24	1	R5	330K	Res. SMD 0805	RCH085F0330K
25	2	R6, R8	150H0	Res. SMD 0805	RCH085F0150H
26	1	R7	10H0	Res. SMD 0805	RCH085F0010H
27	2	R9, R12	22H0	Res. SMD 0805	RCH085F0022H
28	1	R10	10K	Res. SMD 0805	RCH085F0010K

29	1	R13	100K	Res. SMD 0805	RCH085F0100K
30	1	R14	NC	Res. SMD 0805	NOTCON- NECTED
31	1	R15	0H0	Res. SMD 0805	RCH085F0000H
32	5	TP1, TP2, TP3, TP4, TP5	TPSMD	Piazzola SMD	

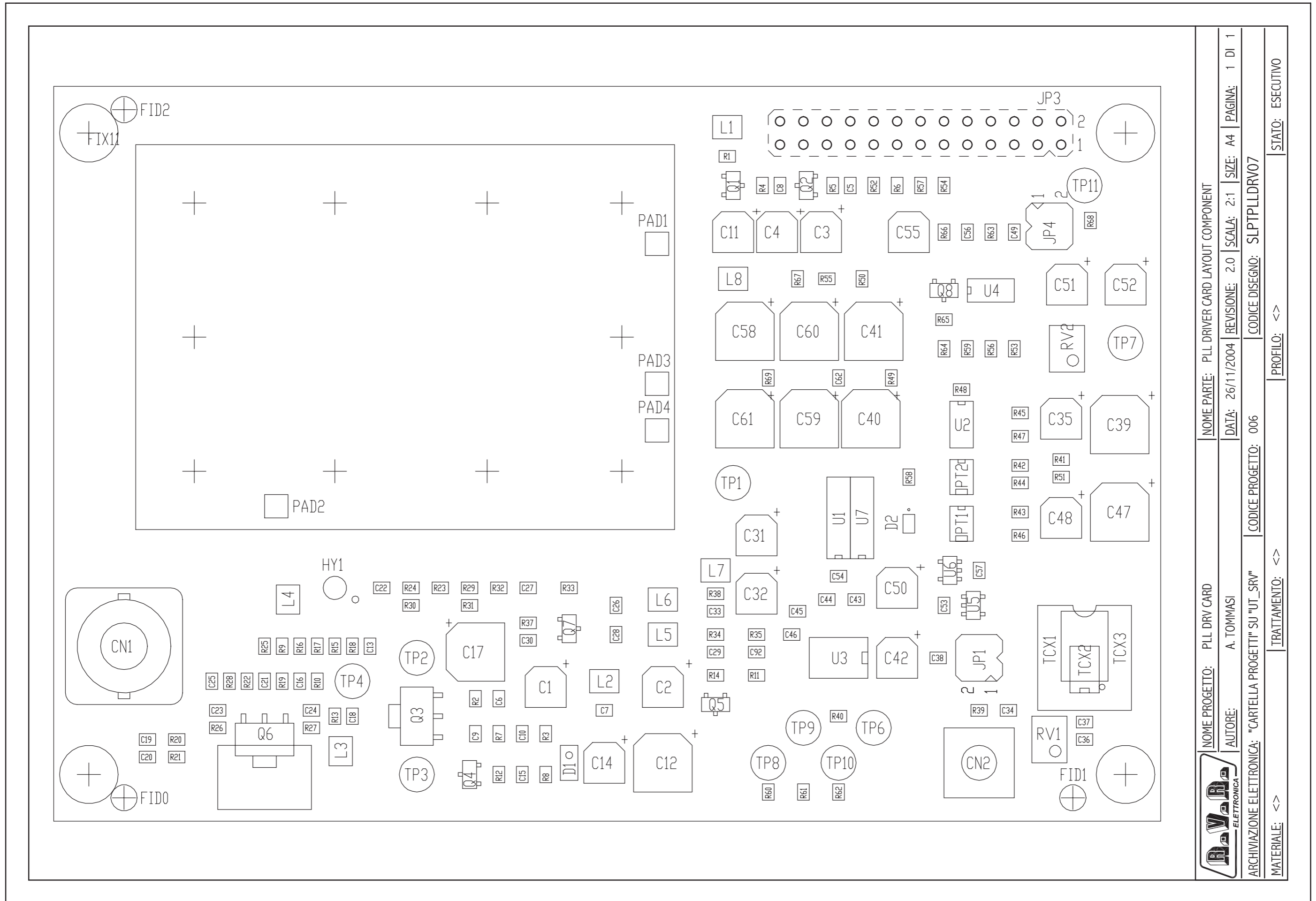


Nome Progetto: PTX-LCD Series		Pagina: 1 di 2		Size: A4
Autore: Andrea Tommasi	Data: Tuesday, May 02, 2006	Codice Progetto: 006		
Nome PC in Rete: \UTSRV	Revisione: 2.1	Nome Parte: PLLDRV Sezione Driver		
File/Cartella: \	Autorizzazione:	Codice: SLPTPLLDREV07		

PLL & Driver Card
SLPTPLLDV07



Nome Progetto: PTX-LCD Series		Pagina: 2 di 2		Size: A3
Autore: Andrea Tommasi	Data: Tuesday, May 01, 2006	Codice Progetto: 006		
Nome PC in Rete: \WTSRV	Revisione: 2.1	Nome Parte: PLLDRV Sezione PLL		
File/Cartella: \	Autorizzazione:	Codice: SLPTPLLDV07		

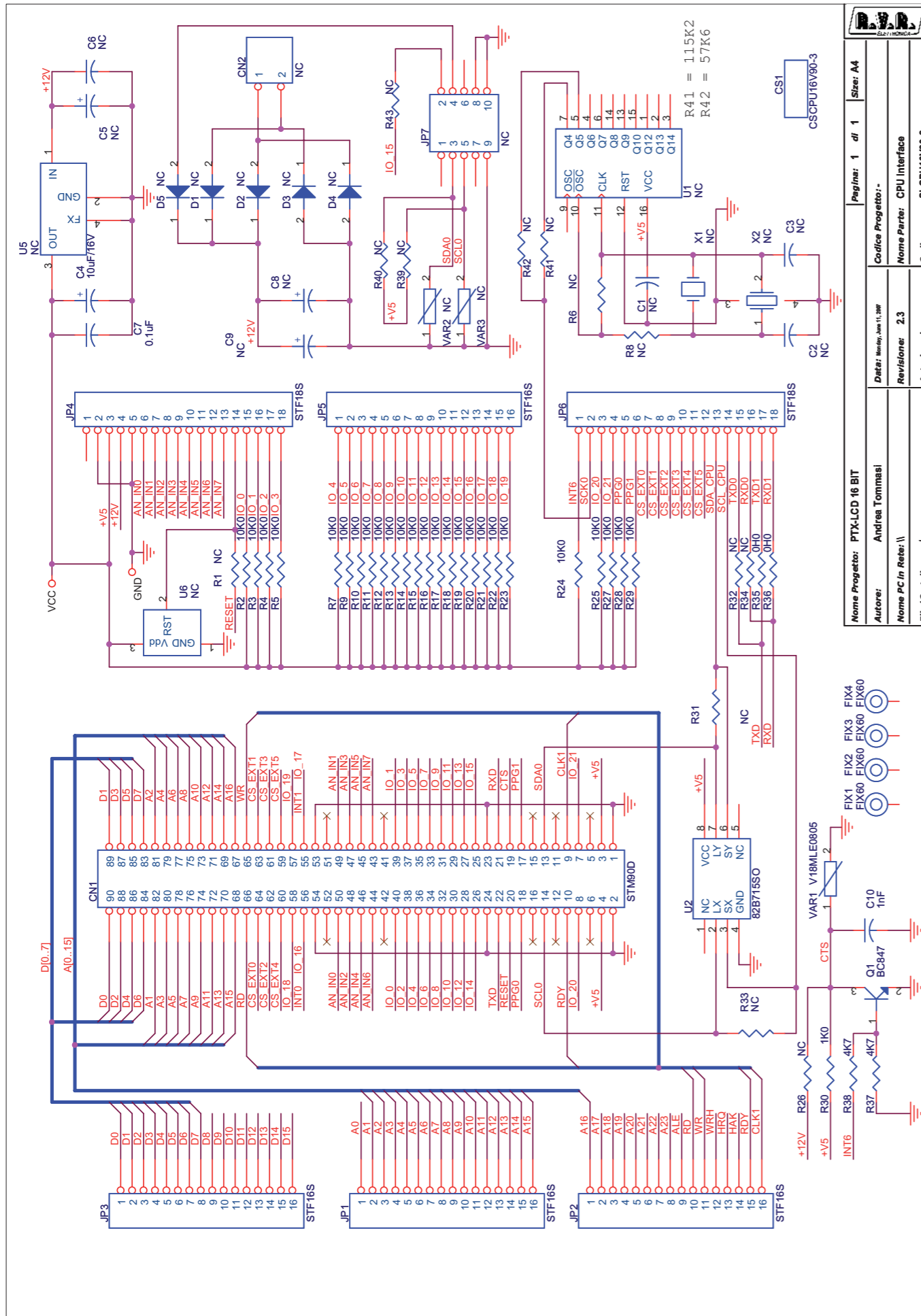


PLLDV Sezione Driver Revised: 02/05/2006
SLPTPLLDV07 Revision: 2.1
PTX-LCD Series

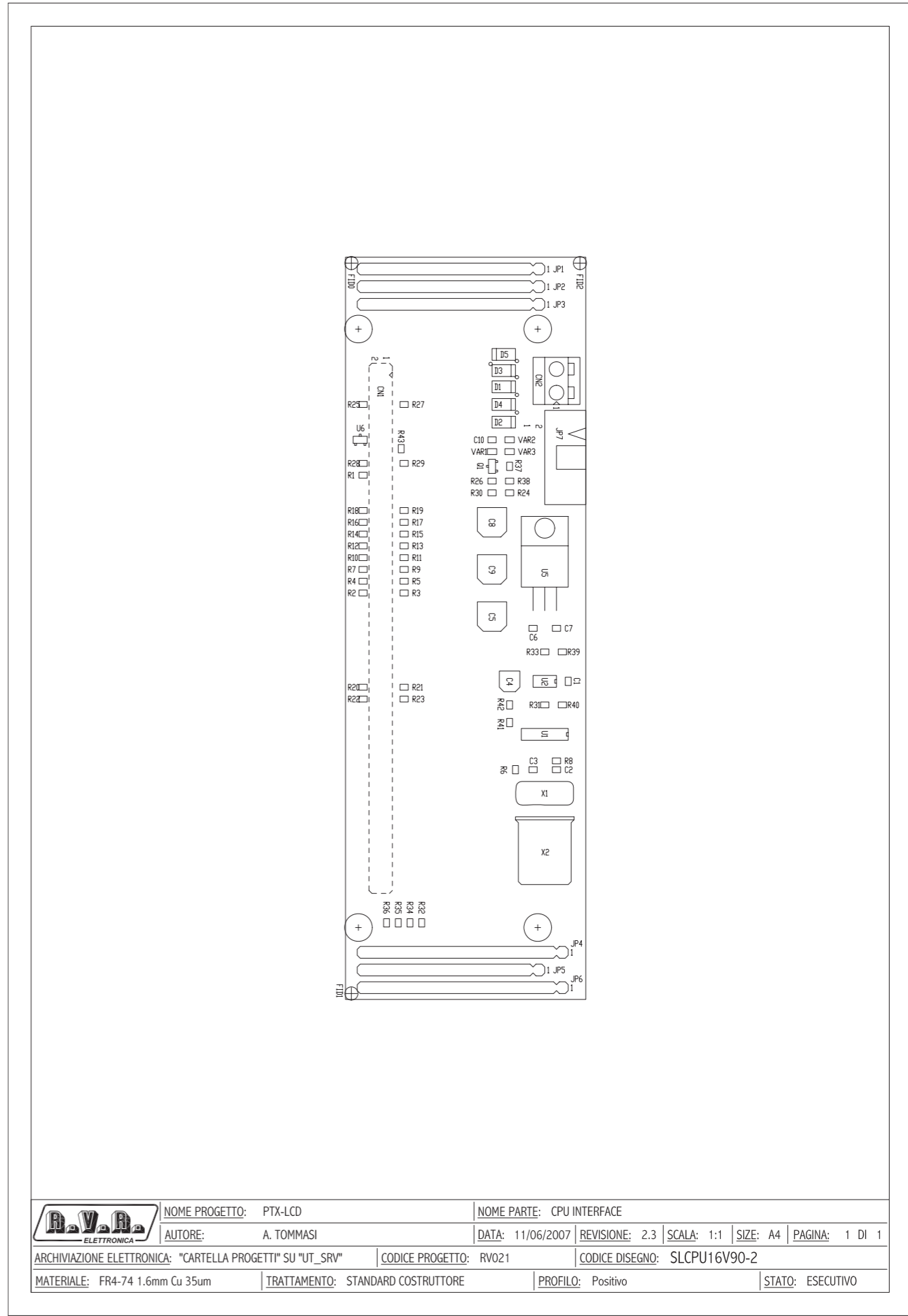
006
Andrea Tommasi

Item	Quantity	Reference	Part	Description
1	1	CN1	BNC_CS	Connettore BNC 10x10 cs
2	1	CN2	SMB_CS	Connettore SMB cs
3	1	CS1	CSPTPLLDV07	Circuito stampato
4	12	C1, C2, C3, C4, C11, C31, C32, C42, C50, C51, C52, C55	10uF/16V	Cond. Elett. SMD d. 4mm
5	12	C5, C6, C7, C8, C9, C10, C13, C15, C16, C23, C24, C25	4.7nF	Cond. SMD 0805
6	6	C12, C17, C39, C40, C41, C47	100uF/16V	Cond. Elett. SMD d. 6.3mm
7	1	C14	NC	Cond. Elett. SMD d. 4mm
8	1	C18	10pF	Cond. SMD 0805
9	6	C19, C20, C26, C30, C45, C46	1nF	Cond. SMD 0805
10	2	C21, C92	27pF	Cond. SMD 0805
11	2	C22, C27	220pF	Cond. SMD 0805
12	2	C28, C29	22pF	Cond. SMD 0805
13	9	C33, C34, C36, C43, C44, C49, C53, C54, C62	100nF	Cond. SMD 0805
14	2	C35, C48	1uF/50V	Cond. Elett. SMD d. 4mm
16	3	C37, C38, C56	10nF	Cond. SMD 0805
17	1	C57	NC	Cond. SMD 0805
18	2	C58, C61	NC	Cond. Elett. SMD d. 6.3mm
19	2	C59, C60	220uF/16V	Cond. Elett. SMD d. 6.3mm
20	1	D1	Z5V1	MINIMELF SMD Zener Diode
21	1	D2	LED-R	LED SMD 0805
22	10	FIX1, FIX2, FIX3, FIX4, FIX5, FIX6, FIX7, FIX8, FIX9, FIX10	FIX22	Foro fissaggio 2.2mm
23	4	FIX11, FIX12, FIX13, FIX14	FIX35	Foro fissaggio 3.5mm
24	1	HY1	ERA3	Ibrido MAR/ERA
25	2	JP1, JP4	STM04D	Strip maschio 2+2 pin
26	1	JP3	STM26D	Strip maschio 13+13 pin
27	2	L1, L6	2.2uH	Induttanza SMD 3225 (1210) Schermata
28	2	L2, L3	0.22uH	Induttanza SMD 3225 (1210)
29	2	L4, L7	2.2uH	Induttanza SMD 3225 (1210)
30	1	L5	100nH	Induttanza SMD 3225 (1210)
31	1	L8	18uH	Induttanza SMD 3225 (1210) Schermata
32	2	OPT1, OPT2	TLP181	Optoisolatore SMD SO6
33	4	PAD1, PAD2, PAD3, PAD4	PAD2525	Pad a saldare 2.5x2.5 mm
34	5	Q1, Q2, Q4, Q5, Q8	BC847	Trans. NPN SOT23
35	1	Q3	BCP51	Trans. PNP SOT23
36	1	Q6	BFG35	Trans. NPN SOT23
37	1	Q7	MMBT918	Trans. NPN SOT23
38	1	RV1	5K	Trimm. multi SMD PVG5 Murata
39	1	RV2	5K	Trimm. multi SMD PVG5 Murata
40	8	R1, R2, R5, R7, R40, R52, R54, R57	4K7	Res. SMD 0805
41	1	R3	22K	Res. SMD 0805
42	2	R4, R28	100H	Res. SMD 0805
43	5	R6, R11, R14, R39, R56	10K	Res. SMD 0805
44	2	R8, R58	2K2	Res. SMD 0805
45	8	R9, R10, R13, R20, R21, R24, R25, R32	10H	Res. SMD 0805
46	1	R12	1M	Res. SMD 0805
47	4	R15, R16, R17, R18	1K2	Res. SMD 0805
48	1	R19	3K3	Res. SMD 0805
49	1	R22	150H	Res. SMD 0805
50	1	R23	56H	Res. SMD 0805
51	3	R26, R27, R49	22H	Res. SMD 0805
52	3	R29, R38, R67	270H0	Res. SMD 0805
53	6	R30, R31, R36, R60, R61, R62	NC	Res. SMD 0805
54	2	R33, R53	47K0	Res. SMD 0805
55	1	R34	47H	Res. SMD 0805
56	1	R35	0H	Res. SMD 0805
57	6	R37, R45, R47, R59, R63, R65	1K0	Res. SMD 0805
58	2	R41, R51	6K8	Res. SMD 0805
59	2	R42, R43	8K2	Res. SMD 0805
60	3	R44, R46, R64	82K	Res. SMD 0805
61	1	R48	120H	Res. SMD 0805
62	1	R50	100K	Res. SMD 0805
63	1	R55	680H0	Res. SMD 0805
64	2	R66, R68	470H0	Res. SMD 0805
65	1	R69	22H0	Res. SMD 0805
66	1	TCX1	NC	TCXO SMD
67	1	TCX2	10MHz	TCXO SMD 50x32mm
68	1	TCX3	NC NOTA1	TCXO SMD 70x52mm
69	11	TP1, TP2, TP3, TP4, TP5, TP6, TP7, TP8, TP9, TP10, TP11	NC	Test point
70	1	U1	CD4070/SO	Quad XOR SMD SO14
71	1	U2	TL072SMD	Dual Op. SMD SO8
72	1	U3	MB15E06	Integrated PLL
73	1	U4	LM358SMD	Dual Op. SMD SO8
74	1	U5	MC78LC33	Stab. SMD SOT23-5
75	1	U6	NC	Stab. SMD SOT23-5

Item	Quantity	Reference	Part	Description
76	1	U7	74HC00/SO	Quad NAND SMD SO14
77	1	ZZ1	VCOPTXLCD	Mettere descrizione



Nome Progetto: PTX-LCD 16 BIT		Pagina: 1 di 1		Size: A4	
Autore: Andrea Tommasi		Data: Monday, June 11, 2007		Codice Progetto: -	
Nome PC in Rete: \\		Revisione: 2.3		Nome Parte: CPU Interface	
File/Cartella: /		Autorizzazioni:		Codice: SLCPU16V90-2	



		NOME PROGETTO: PTX-LCD		NOME PARTE: CPU INTERFACE	
AUTORE: A. TOMMASI		DATA: 11/06/2007		REVISIONE: 2.3	
ARCHIVIAZIONE ELETTRONICA: "CARTELLA PROGETTI" SU "UT_SRV"		CODICE PROGETTO: RV021		CODICE DISEGNO: SLCPU16V90-2	
MATERIALE: FR4-74 1.6mm Cu 35um		TRATTAMENTO: STANDARD COSTRUTTORE		PROFILO: Positivo	
				STATO: ESECUTIVO	

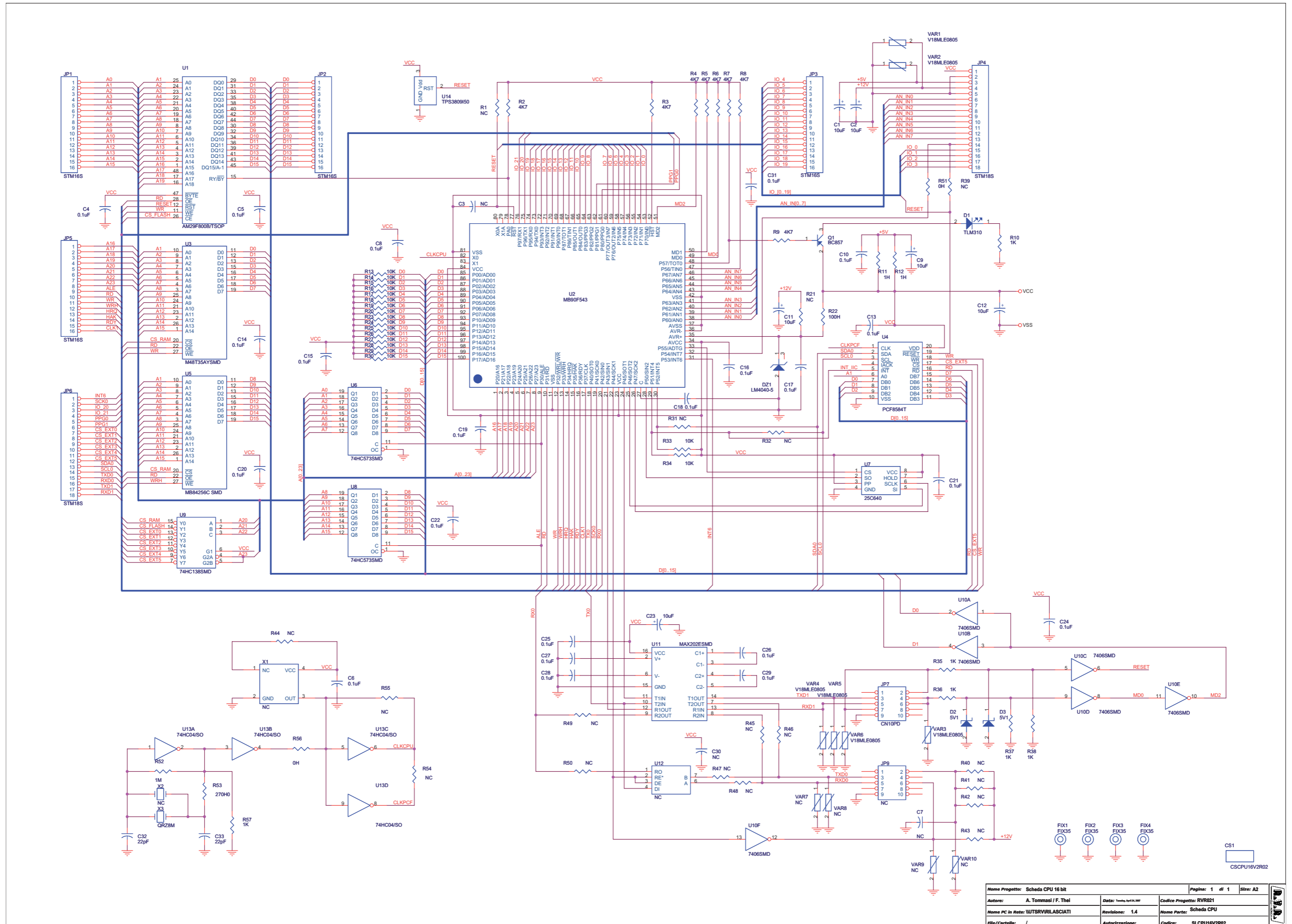
CPU Interface Revised: Monday, June 11, 2007
SLCPU16V90-2 Revision: 2.3
PTX-LCD 16 BIT

Item	Quantity	Reference	Part	Description
1	1	CN1	STM90D	Strip maschio 45+45 pin
2	1	CN2	NC	Conn. tipo KRA a 2 poli
3	1	CS1	CSCPU16V90-3	Circuito stampato
4	4	C1,C2,C3,C6	NC	Cond. SMD 0805
5	1	C4	10uF/16V	Cond. Elett. SMD d. 4mm
6	3	C5,C8,C9	NC	Cond. Elett. SMD d. 6.3mm
7	1	C7	0.1uF	Cond. SMD 0805
8	1	C10	1nF	Cond. SMD 0805
9	5	D1,D2,D3,D4,D5	NC	MELF SMD Diode
10	4	FIX1,FIX2,FIX3,FIX4	FIX60	Foro fissaggio 6mm
11	4	JP1,JP2,JP3,JP5	STF16S	Strip femmina 16 pin
12	2	JP4,JP6	STF18S	Strip femmina 18 pin
13	1	JP7	NC	Connettore 10 poli Flat cs a 90°
14	1	Q1	BC847	Trans. NPN SOT23
15	13	R1,R6,R8,R26,R31,R32,R33, R34,R39,R40,R41,R42,R43	NC	Res. SMD 0805
16	25	R2,R3,R4,R5,R7,R9,R10, R11,R12,R13,R14,R15,R16, R17,R18,R19,R20,R21,R22, R23,R24,R25,R27,R28,R29	10K0	Res. SMD 0805
17	1	R30	1K0	Res. SMD 0805
18	2	R35,R36	0H0	Res. SMD 0805
19	2	R37,R38	4K7	Res. SMD 0805
20	1	U1	NC	Divider SMD SO16
21	1	U2	82B715SO	IIC Bus driver SMD SO8
22	1	U5	NC	Stabilizzatore TO220
23	1	U6	NC	uP supply supervisor
24	1	VAR1	V18MLE0805	ESD SMD protector
25	2	VAR2,VAR3	NC	ESD SMD protector
26	1	X1	NC	Quarzo SMD HC49SMD
27	1	X2	NC	Quarzo HC25 orizz.

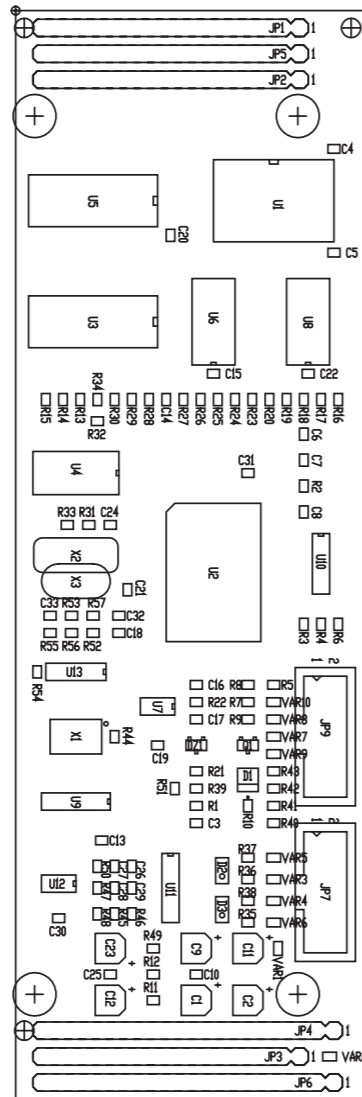
Nota 1 Montata lato saldature

Nota 2 Montate lato componenti

CPU 16Bit Card
SLCPU16V2R02



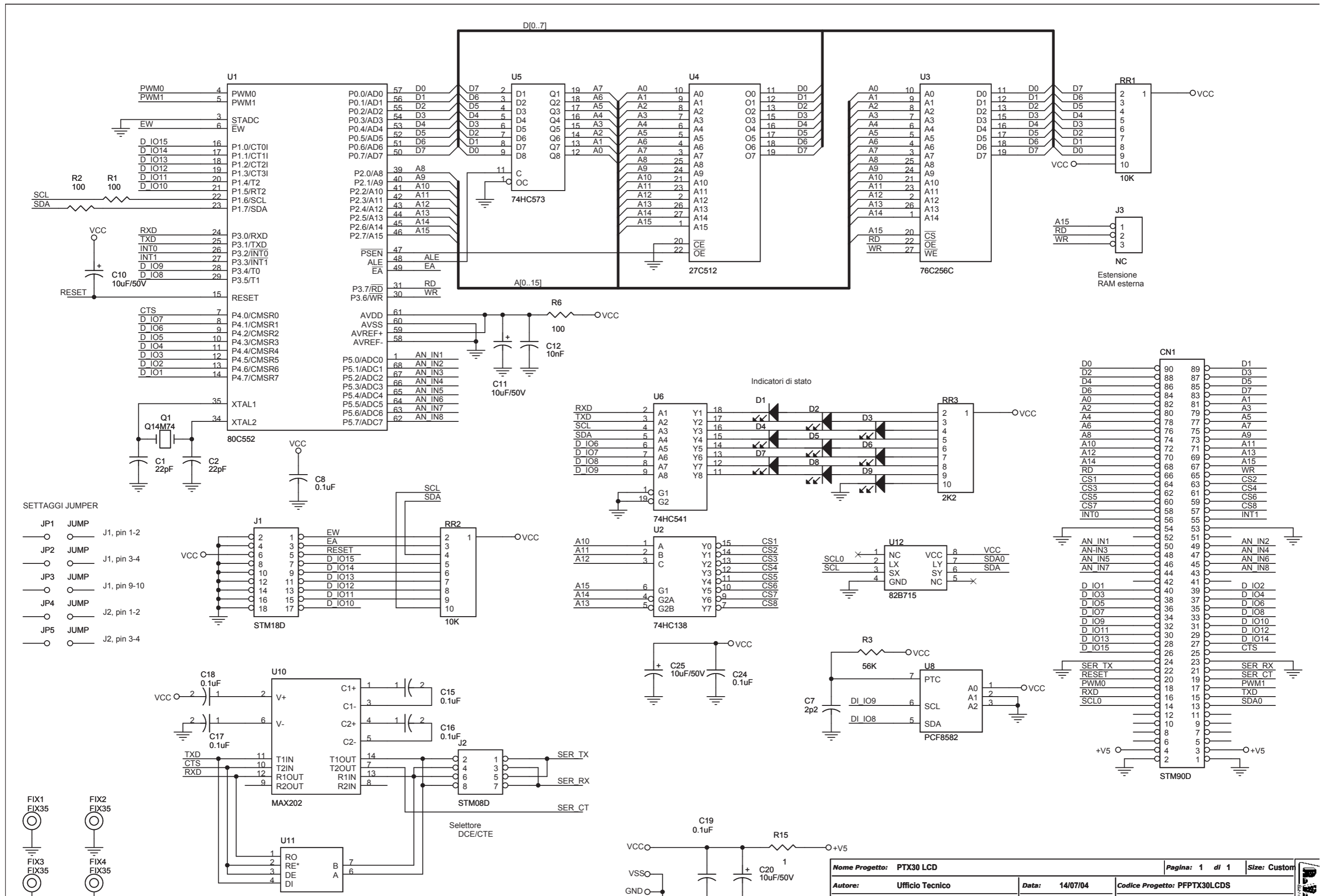
Nome Progetto: Scheda CPU 16 bit	Pagina: 1 di 1	Size: A2
Autore: A. Tommasi / F. Thal	Data: 1999.04.21.00	Codice Progetto: RVR021
Nome PC in Rete: IUTSRVIRLASCATI	Revisione: 1.4	Nome Parte: Scheda CPU
File/Cartella: /	Autorizzazione:	Codice: SLCPU16V2R02

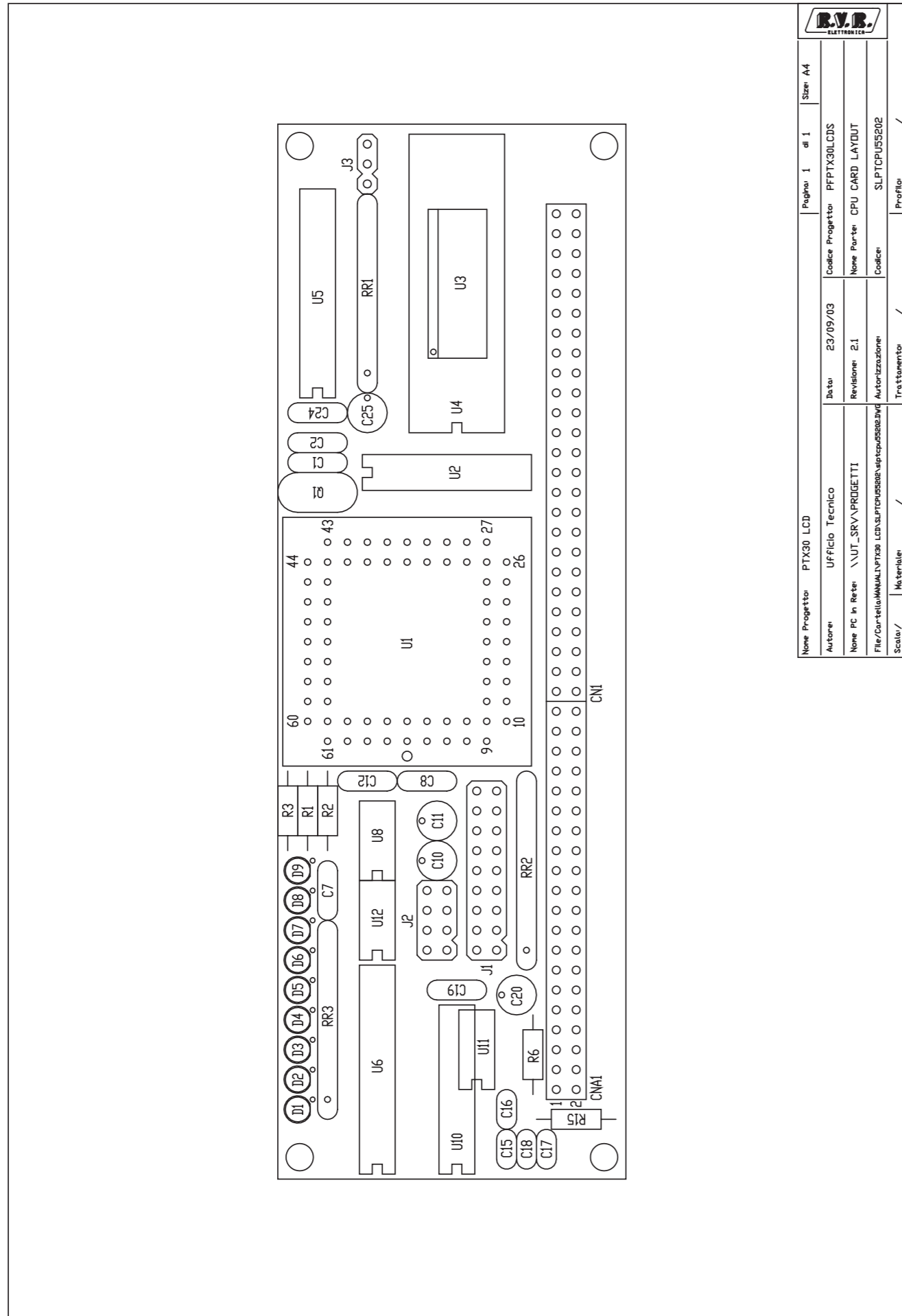


Scheda CPU Revised: 13/11/2006
SLCPU16V2R02 Revision: 1.4
Scheda CPU 16 bit
RVR021
A. Tommasi / F. Thei

Item	Quantity	Reference	Part	PCB Footprint	Description
1	1	CS1	CSCPU16V2R02	CS	Circuito stampato
2	6	C1, C2, C9, C11, C12, C23	10uF	CES4	Cond. Elett. SMD d. 4mm
3	3	C3, C7, C30	NC	CC0805/0603	Cond. SMD 0805
4	22	C4, C5, C6, C8, C10, C13, C14, C15, C16, C17, C18, C19, C20, C21, C22, C24, C25, C26, C27,	0.1uF	CC0805/0603	Cond. SMD 0805
5	2	C32, C33	22pF	CC0805/0603	Cond. SMD 0805
6	1	DZ1	5V	SOT23	Diode Zener SMD SOT23
7	1	D1	TLM310	PLCC2	LED SMD PLCC2
8	2	D2, D3	5V1	MINIMELF	MINIMELF SMD Zener Diode
9	4	FIX1, FIX2, FIX3, FIX4	FIX35	FIX35	Foro fissaggio
10	4	JP1, JP2, JP3, JP5	STM16S	STM16S	Strip maschio 16 pin
11	2	JP4, JP6	STM18S	STM18S	Strip maschio 18 pin
12	1	JP7	CN10PD	CN10PD	Connettore 10 poli Flat cs
13	1	JP9	NC	CN10PD	Connettore 10 poli Flat cs
14	1	Q1	BC857	SOT23	Trans. PNP SOT23
15	18	R1, R21, R31, R32, R39, R40, R41, R42, R43, R44, R45, R46, R47, R48, R49, R50, R54, R55	NC	RS0805/0603	Res. SMD 0805
16	8	R2, R3, R4, R5, R6, R7, R8, R9	4K7	RS0805/0603	Res. SMD 0805
17	6	R10, R35, R36, R37, R38, R57	1K	RS0805/0603	Res. SMD 0805
18	2	R12, R11	1H	RS0805/0603	Res. SMD 0805
19	18	R13, R14, R15, R16, R17, R18, R19, R20, R23, R24, R25, R26, R27, R28, R29, R30, R33, R34	10K	RS0805/0603	Res. SMD 0805
20	1	R22	100H	RS0805/0603	Res. SMD 0805
21	2	R56, R51	0H	RS0805/0603	Res. SMD 0805
22	1	R52	1M	RS0805/0603	Res. SMD 0805
23	1	R53	270H0	RS0805/0603	Res. SMD 0805
24	1	U1	AM29F800B/TSOP	TSOP48	Flash Eeprom SMD TSOP48
25	1	U2	MB90F543	QFP100	QFP100 SMD Microprocessor
26	1	U3	M48T35AYSMD	SO28	RAM+RTC with Battery SMD
27	1	U4	PCF8584T	SO20	IIC Bus controller SMD
28	1	U5	MB84256C SMD	SO28	RAM+RTC with Battery SMD
29	2	U6, U8	74HC573SMD	SO20	Octal Latch SMD
30	1	U7	25C640	SO8	Serial EEPROM SMD
31	1	U9	74HC138SMD	SO16	8 line decoder SMD
32	1	U10	7406SMD	SO14	Hex inv OC SMD SO14
33	1	U11	MAX202ESMD	SO16	RS232 Driver SMD SO16
34	1	U12	NC	SO8	RS485 driver SMD SO8
35	1	U13	74HC04/SO	SO14	Hex Inv. SMD SO14
36	1	U14	TPS3809I50	SOT23	uP supply supervisor
37	6	VAR1, VAR2, VAR3, VAR4, VAR5, VAR6	V18MLE0805	RS0805	ESD SMD protector
38	4	VAR7, VAR8, VAR9, VAR10	NC	RS0805	ESD SMD protector
39	1	X1	NC	XOSCIN92AT	Osc. quarzo SMD
40	1	X2	NC	QRZ49SM	Quarzo SMD HC49SMD
41	1	X3	QRZ8M	QRZ18	Quarzo HC18

R.V.R. ELETTRONICA	NOME PROGETTO: PTX-LCD	NOME PARTE: SCHEDA CPU BUS 16BIT
	AUTORE: S. Poluzzi - Rev.: Berti J.	DATA: 12/02/2004 REVISIONE: 2.1 SCALA: 1:1 SIZE: A4 PAGINA: 1 DI 1
ARCHIVIAZIONE ELETTRONICA: "CARTELLA PROGETTI" SU "UT_SRV"	CODICE PROGETTO: RV021	CODICE DISEGNO: CSCPU16V2R02
MATERIALE: FR4-74 1.6mm Cu 35um 4 LAYER	TRATTAMENTO: STANDARD COSTRUTTORE	PROFILO: Positivo STATO: <>



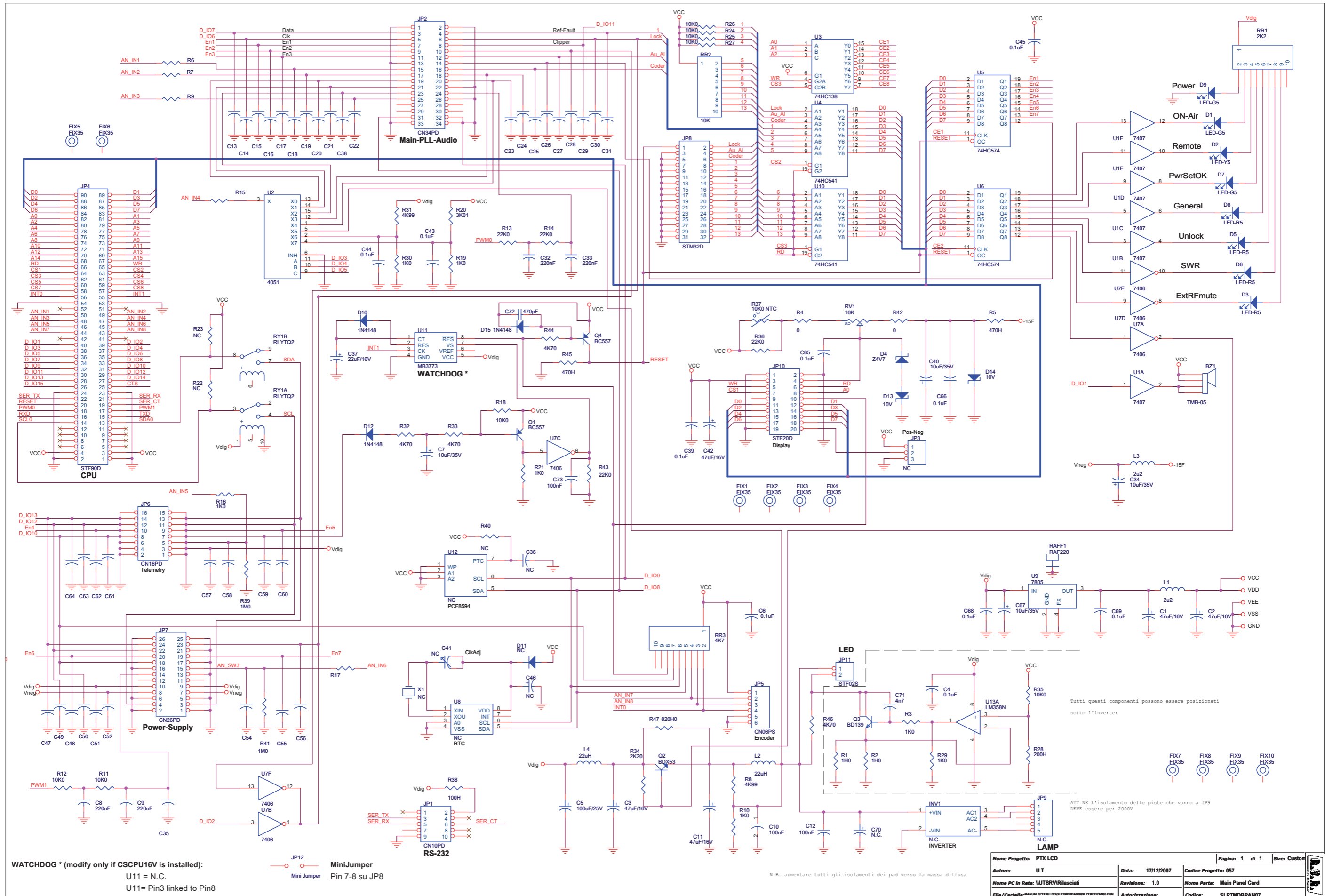


Nome Progetto:	PTX30 LCD	Page:	1	di	1	Size:	A4
Autore:	Ufficio Tecnico	Data:	23/09/03	Codice Progetto:	PFPTX30LCD5		
Nome PC in Rete:	\\UT_SRV_PROGETTI	Revisione:	2.1	Nome Parte:	CPU CARD LAYOUT		
File/Carrello/Multi/PTX30 LCD/SURPASSABILE/PTX30LCD.DWG	Autore:	Autore:		Codice:	SLPTCPU55202		
Scala:	Materiali:	Treatmento:	/	Profilo:	/		

Card Revised: 14/07/04
CPU55202 Revision: 3.0
0 LCD
X30LCD5

Quantity	Reference	Part	Description
1	CN1	STM90D	Strip maschio 45+45 pin
2	C1, C2	22pF	Cond. ceramico p 5mm
1	C7	2p2	Cond. ceramico p 5mm
3	C8, C19, C24	0.1uF	Cond. ceramico p 5mm
4	C10, C11, C20, C25	10uF/50V	Cond. Elettr. Vert.
1	C12	10nF	Cond. ceramico p 5mm
4	C15, C16, C17, C18	0.1uF	Cond. ceramico multistrato p 5mm
9	D1, D2, D3, D4, D5, D6, D7, D8, D9	LED-R3	LED dia. 3mm
4	FIX1, FIX2, FIX3, FIX4	FIX35	Foro fissaggio 3.5mm
5	JP1, JP2, JP3, JP4, JP5	JUMP	Mini jumper
1	J1	STM18D	
1	J2	STM08D	
2	J3, U11	NC	
1	Q1	Q14M74	Quarzo HC18
2	RR1, RR2	10K	Rete resistiva 9R
1	RR3	2K2	Rete resistiva 9R
3	R1, R2, R6	100	Res. 1/4W 5%
1	R3	56K	Res. 1/4W 5%
1	R15	1	Res. 1/4W 5%
1	U1	80C552	
1	U2	74HC138	
1	U3	76C256C	
1	U4	27C512	
1	U5	74HC573	
1	U6	74HC541	
1	U8	PCF8582	
1	U10	MAX202	
1	U12	82B715	IIC Bus driver DIP8

Note:
Posizioni jumper PZ 3 su J1: 1-2; 3-4; 9-10
Posizioni jumper PZ 2 su J2: 1-2; 3-4

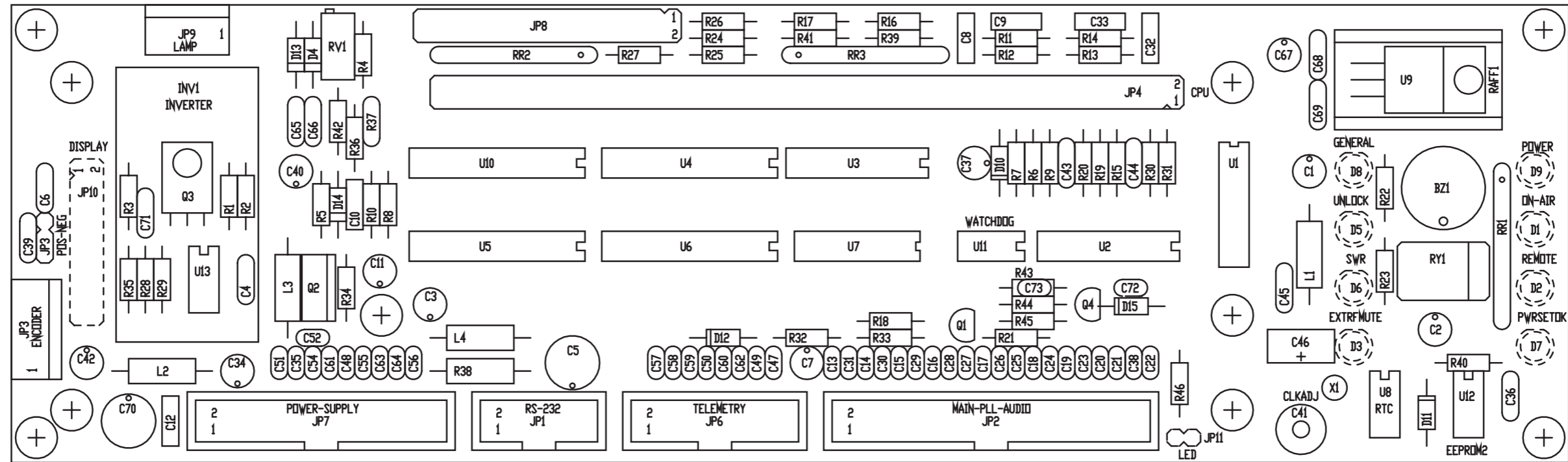


WATCHDOG* (modify only if CSCPU16V is installed):
 U11 = N.C.
 U11= Pin3 linked to Pin8

JP12 MiniJumper
 Mini Jumper Pin 7-8 su JP8

N.B. aumentare tutti gli isolamenti dei pad verso la massa diffusa

Nome Progetto: PTX LCD	Data: 17/12/2007	Codice Progetto: 057	Pagina: 1 di 1	Size: Custom
Autore: U.T.	Revisione: 1.0	Nome Parte: Main Panel Card		
Nome PC in Rete: WUTSRV\rlasciati	Autore: U.T.	Codice: SLPTMDBPAN07		
File/Cartella: \\MAIN\AL\PTX LCD\SLPTMDBPAN07\PTXMAIN.PAN				



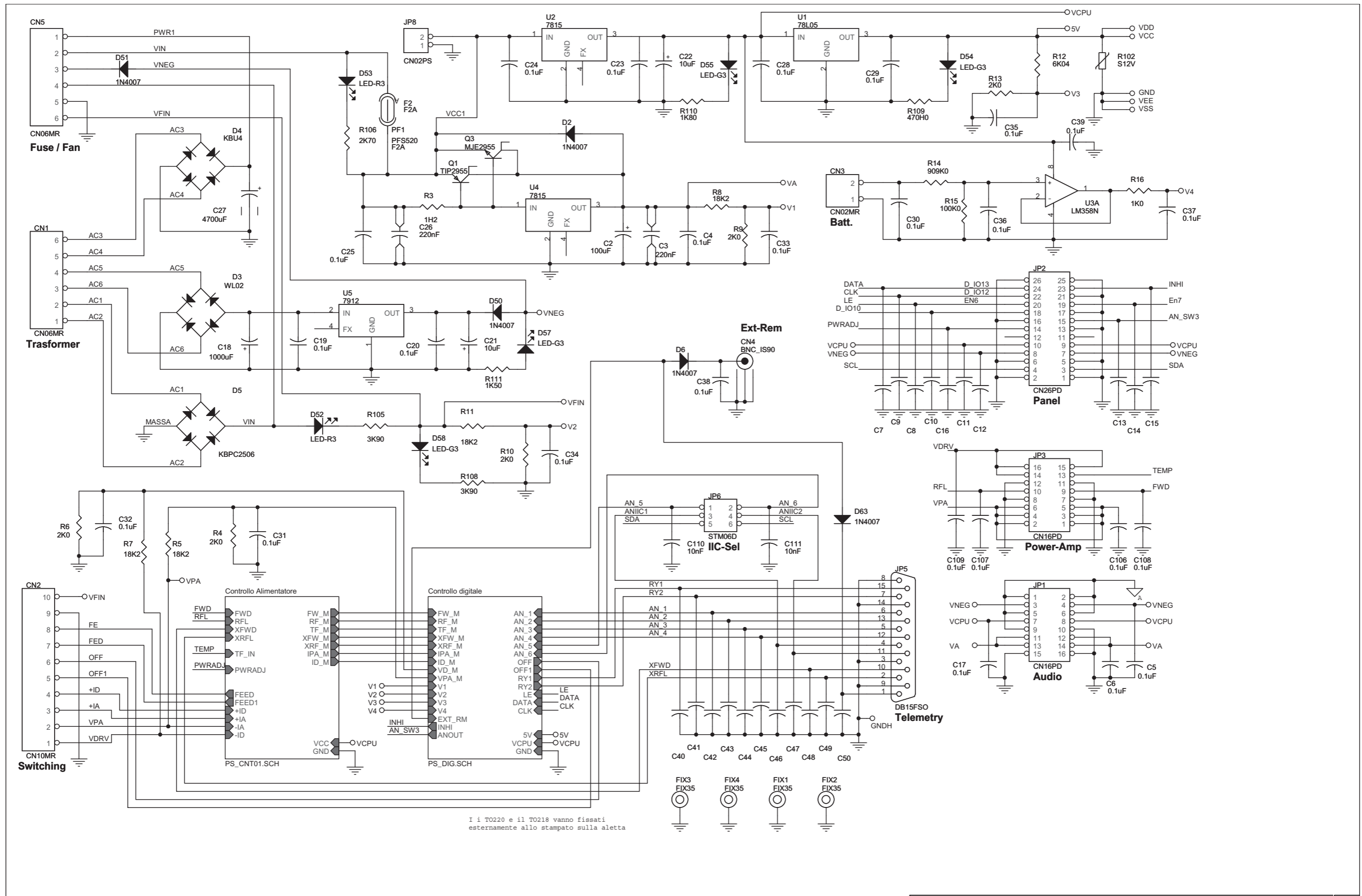
Nome Progetto: PTX30 LCD		Pagina: 1 di 1	Size: A4
Autore: Ufficio Tecnico		Data: 12/02/04	Codice Progetto: PFPTX30LCDS
Nome PC in Rete: \\UT_SRV\PROGETTI		Revisione: 2.2	Nome Parte: MAIN PANEL CARD LAYOUT
File/Cartella: Manual\PTX30 LCD\SLPTMDBPAN06\syslptmdbpan06.dwg		Autorizzazione:	Codice: SLPTMDBPAN06
Scala: /	Materiale: /	Trattamento: /	Profilo: /



Main Panel Card Revised: 17/12/2007
SLPTMDBPAN07 Revision: 1.0
057 PTX-LCD

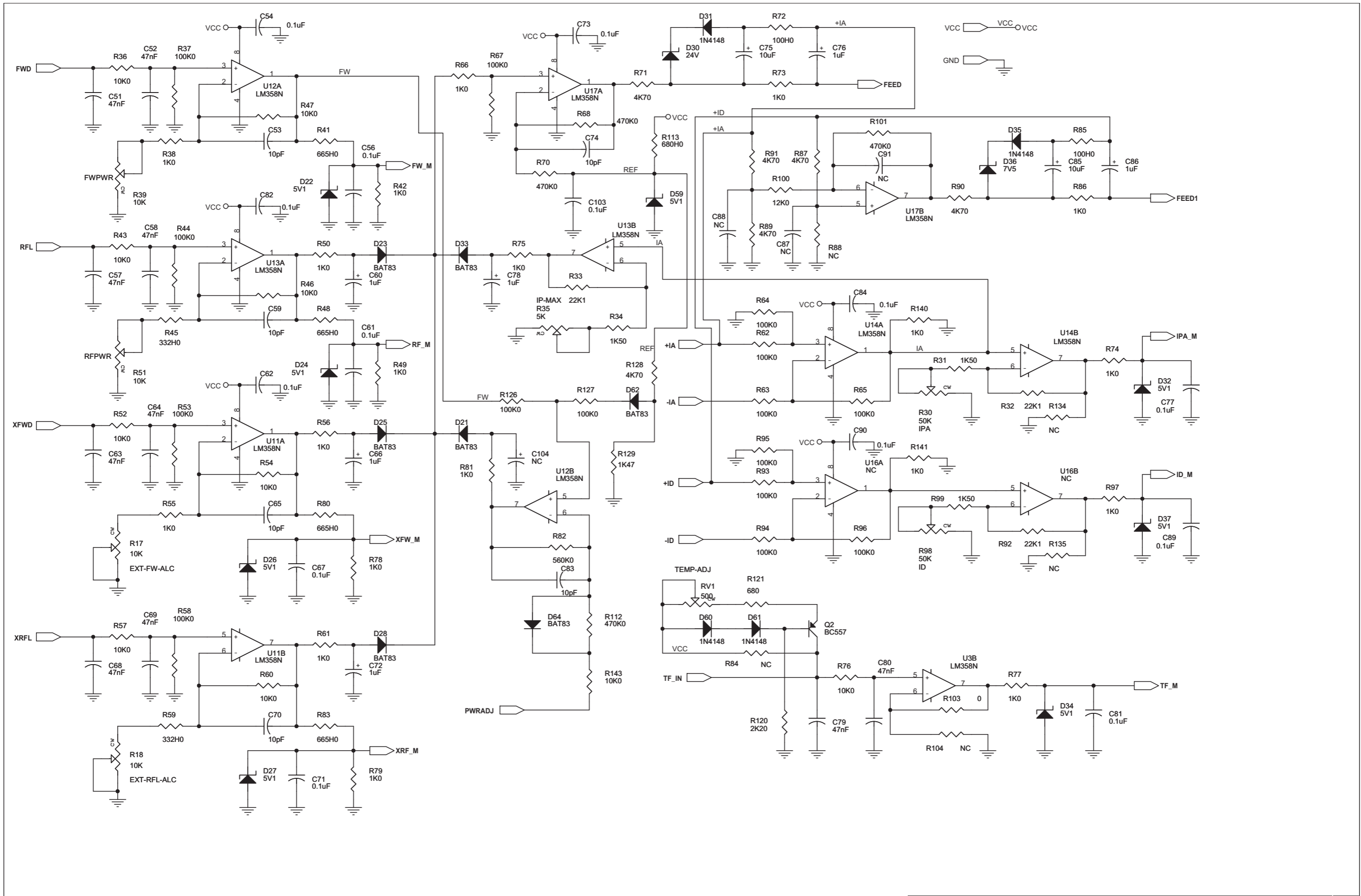
Item	Quantity	Reference	Part	Description
1	1	BZ1	TMB-05	Buzzer TMB-05
2	5	C1,C2,C3,C11,C42	47uF/16V	Cond. Elettr. Vert.
3	10	C4,C6,C39,C43,C44,C45, C65,C66,C68,C69	0.1uF	Cond. ceramico p 5mm
4	1	C5	100uF/25V	Cond. Elettr. Vert.
5	4	C7,C34,C40,C67	10uF/35V	Cond. Elettr. Vert.
6	4	C8,C9,C32,C33	220nF	Cond. Poliestere p 5mm
7	2	C10,C12	100nF	Cond. Poliestere p 5mm
8	35	C13,C14,C15,C16,C17,C18, C19,C20,C21,C22,C23,C24, C25,C26,C27,C28,C29,C30, C31,C35,C38,C47,C48,C49, C50,C54,C55,C56,C58,C59, C60,C61,C62,C63,C64	100pF	Cond. ceramico p 5mm
9	1	C36	NC	
10	1	C37	22uF/16V	Cond. Elettr. Vert.
11	1	C41	NC	
12	4	X1,U8,U12,C46	NC	
13	3	C51,C52,C57	10nF	Cond. ceramico p 5mm
14	1	C70	N.C.	
15	1	C71	4n7	Cond. ceramico p 5mm
16	1	C72	470pF	Cond. ceramico p 5mm
17	1	C73	100nF	Cond. ceramico p 5mm
18	3	D1,D7,D9	LED-G5	LED dia. 5mm
19	1	D2	LED-Y5	LED dia. 5mm
20	4	D3,D5,D6,D8	LED-R5	LED dia. 5mm
21	1	D4	Z4V7	1/2W Zener Diode
22	3	D10,D12,D15	1N4148	Diodo in vetro DO35
23	1	D11	NC	
24	2	D13,D14	10V	1/2W Zener Diode
25	10	FIX1,FIX2,FIX3,FIX4,FIX5, FIX6,FIX7,FIX8,FIX9, FIX10	FIX35	Foro fissaggio 3.5mm
26	1	INV1	N.C.	
27	1	JP1	CN10PD	Connettore 10 poli Flat cs
28	1	JP2	CN34PD	Connettore 34 poli Flat cs
29	1	JP3	NC	
30	1	JP4	STF90D	Strip femmina 45+45 pin
31	1	JP5	CN06PS	Connettore 6 poli Panduit
32	1	JP6	CN16PD	Connettore 16 poli Flat cs
33	1	JP7	CN26PD	Connettore 26 poli Flat cs
34	1	JP8	STM32D	Strip maschio 2X16 pin
35	1	JP9	N.C.	
36	1	JP10	STF20D	Strip femmina 10+10 pin
37	1	JP11	STF02S	Strip femmina 2 pin
38	1	JP12	Mini Jumper	
39	2	L1,L3	2u2	Induttanza cilindrica
40	2	L2,L4	22uH	Induttanza cilindrica
41	2	Q1,Q4	BC557	Trans. PNP TO92
42	1	Q2	BDX53	Trans. NPN TO220
43	1	Q3	BD139	Trans. NPN TO126

44	1	RAFF1	RAF220	Dissipatore TO220
45	1	RR1	2K2	Rete resistiva 9R
46	1	RR2	10K	Rete resistiva 9R
47	1	RR3	4K7	Rete resistiva 9R
48	1	RV1	10K	Trimmer Rg H 3296X
49	1	RY1	RLYTQ2	Rele' TQ2
50	2	R1,R2	1H0	Res. 1/4W 1%
51	12	R3,R6,R7,R9,R10,R15,R16, R17,R19,R21,R29,R30	1K0	Res. 1/4W 1%
52	2	R4,R42	0H0	Res. 1/4W 1%
53	2	R5,R45	470H	Res. 1/4W 1%
54	2	R8,R31	4K99	Res. 1/4W 1%
55	8	R11,R12,R18,R24,R25,R26, R27,R35	10K0	Res. 1/4W 1%
56	4	R13,R14,R36,R43	22K0	Res. 1/4W 1%
57	1	R20	3K01	Res. 1/4W 1%
58	3	R22,R23,R40	NC	
59	1	R28	200H	Res. 1/4W 1%
60	4	R32,R33,R44,R46	4K70	Res. 1/4W 1%
61	1	R34	2K20	Res. 1/4W 1%
62	1	R37	10K0 NTC	Res. NTC
63	1	R38	100H	Res. 1/2W
64	2	R39,R41	1M0	Res. 1/4W 1%
65	1	R47	820H0	Res. 1/4W 1%
66	1	U1	SN7407	Hex Buffer OC
67	1	U2	CD4051	Analog MUX
68	1	U3	74HC138	Decoder 8
69	2	U4,U10	74HC541	Octal Buffer
70	2	U5,U6	74HC574	Octal Latch
71	1	U7	SN7406	Hex Inv Buffer OC
72	1	U9	LM7805	Stabilizzatore TO220
73	1	U11	MB3773	Watchdog
74	1	U13	LM358N	Dual OP Amp

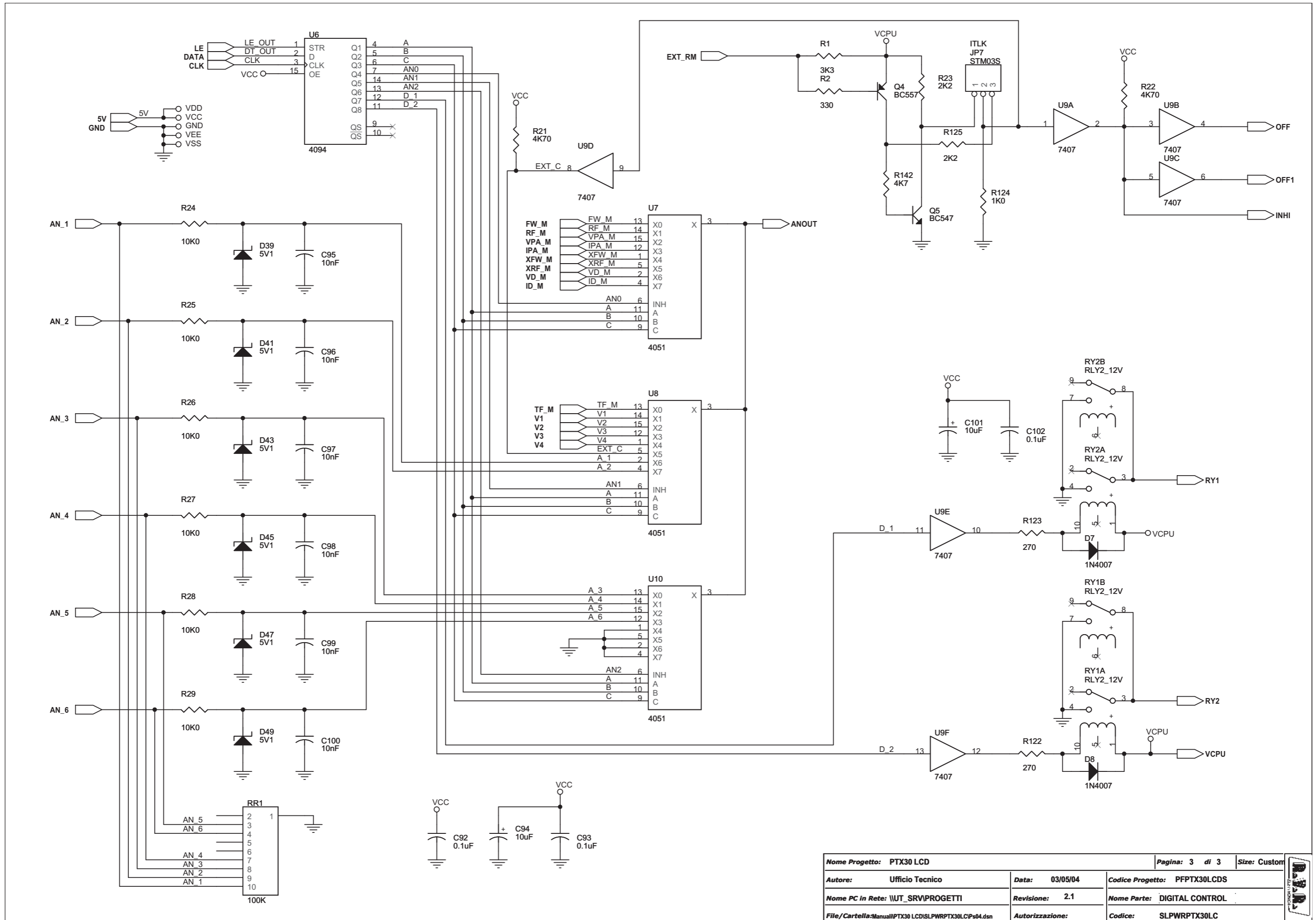


I i TO220 e il TO218 vanno fissati esternamente allo stampato sulla aletta

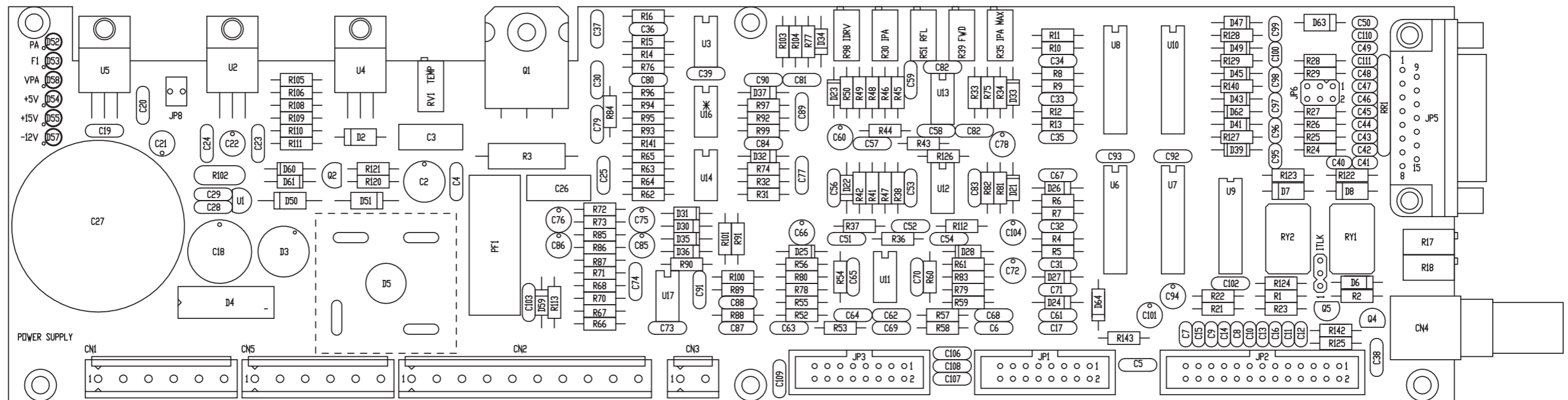
Nome Progetto: PTX30 LCD		Pagina: 1 di 3		Size: A3
Autore: Ufficio Tecnico	Data: 03/05/04	Codice Progetto: PFPPTX30LCDS		
Nome PC in Rete: \UT_SRVVPROGETTI	Revisione: 2.1	Nome Parte: POWER SUPPLY		
File/Cartella: Manuali\PTX30 LCD\SLPWRPTX30LC\Ps04.dsn	Autorizzazione:	Codice: SLPWRPTX30LC		



Nome Progetto: PTX30 LCD		Pagina: 2 di 3		Size: A3
Autore:	Ufficio tecnico	Data:	03/05/04	Codice Progetto: PFPTX30LCDS
Nome PC in Rete:	\\UT_SRV\PROGETTI	Revisione:	2.1	Nome Parte: CONTROL SUPPLY
File/ Cartella:	Manual\PTX30 LCD\SLPWRPTX30LC\CPs04.dsn	Autorizzazione:		Codice: SLPWRPTX30LC



Nome Progetto: PTX30 LCD		Pagina: 3 di 3		Size: Custom
Autore: Ufficio Tecnico	Data: 03/05/04	Codice Progetto: PFPTX30LCDS		
Nome PC in Rete: \\UT_SRV\PROGETTI	Revisione: 2.1	Nome Parte: DIGITAL CONTROL		
File/Cartella: Manual\PTX30 LCD\SLPWRPTX30LC\Ps04.dsn	Autorizzazione:	Codice: SLPWRPTX30LC		



* N.B.:
U16 = N.C.

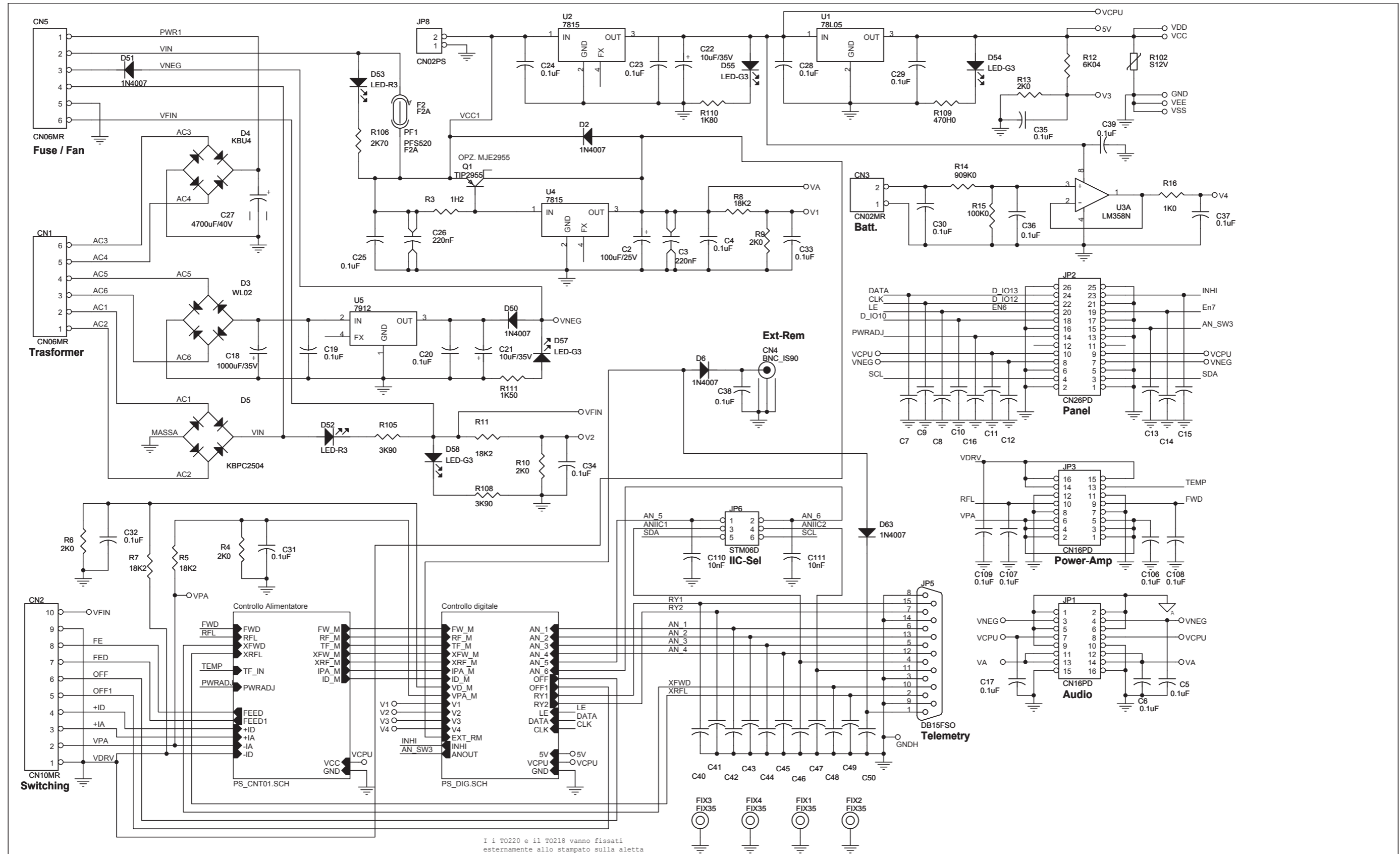
Nome Progetto: PTX30 LCD		Pagina: 1 di 1		Size: A3
Autore: Ufficio Tecnico		Data: 29/04/04	Codice Progetto: PFPTX30LCDS	
Nome PC in Rete: \\UT_SRV\PROGETTI		Revisione: 2.1	Nome Parte: POWER SUPPLY PTX30LCD	
File/Cartella: MANUAL\PTX LCD\SLPWRPTX30LC\laypsup.DWG		Autorizzazione:	Codice: SLPWRPTX30LC	
Scala: /	Materiale: /	Trattamento: /	Profilo: /	



Power supply - Bill of materials			
Item	Q.ty	Reference	Part
1	2	CN1,CN5	CN06MR
2	1	CN2	CN10MR
3	1	CN3	CN02MR
4	1	CN4	BNC_IS90
5	1	C2	100uF
6	2	C26,C3	220nF
7	42	C4,C5,C6,C17,C19,C20,C23, C24,C25,C28,C29,C30,C31, C32,C33,C34,C35,C36,C37, C38,C39,C54,C56,C61,C62, C67,C71,C73,C77,C81,C82, C84,C89,C90,C92,C93,C102, C103,C106,C107,C108,C109	0.1uF
8	10	C7,C8,C9,C10,C13,C14,C15, C16,C46,C47	100pF
9	19	C11,C12,C40,C41,C42,C43, C44,C45,C48,C49,C50,C95, C96,C97,C98,C99,C100, C110,C111	10nF
10	1	C18	1000uF
11	6	C21,C22,C75,C85,C94,C101	10uF
12	1	C27	4700uF
13	10	C51,C52,C57,C58,C63,C64, C68,C69,C79,C80	47nF
14	6	C53,C59,C65,C70,C74,C83	10pF
15	6	C60,C66,C72,C76,C78,C86	1uF
16	10	R84,C87,R88,C88,C91,R104, C104,R134,R135,U16	NC
17	7	D2,D6,D7,D8,D50,D51,D63	1N4007
18	1	D3	WL02
19	1	D4	KBU4
20	1	D5	KBPC2506
21	7	D21,D23,D25,D28,D33,D62, D64	BAT83
22	14	D22,D24,D26,D27,D32,D34, D37,D39,D41,D43,D45,D47, D49,D59	5V1
23	1	D30	24V
24	4	D31,D35,D60,D61	1N4148

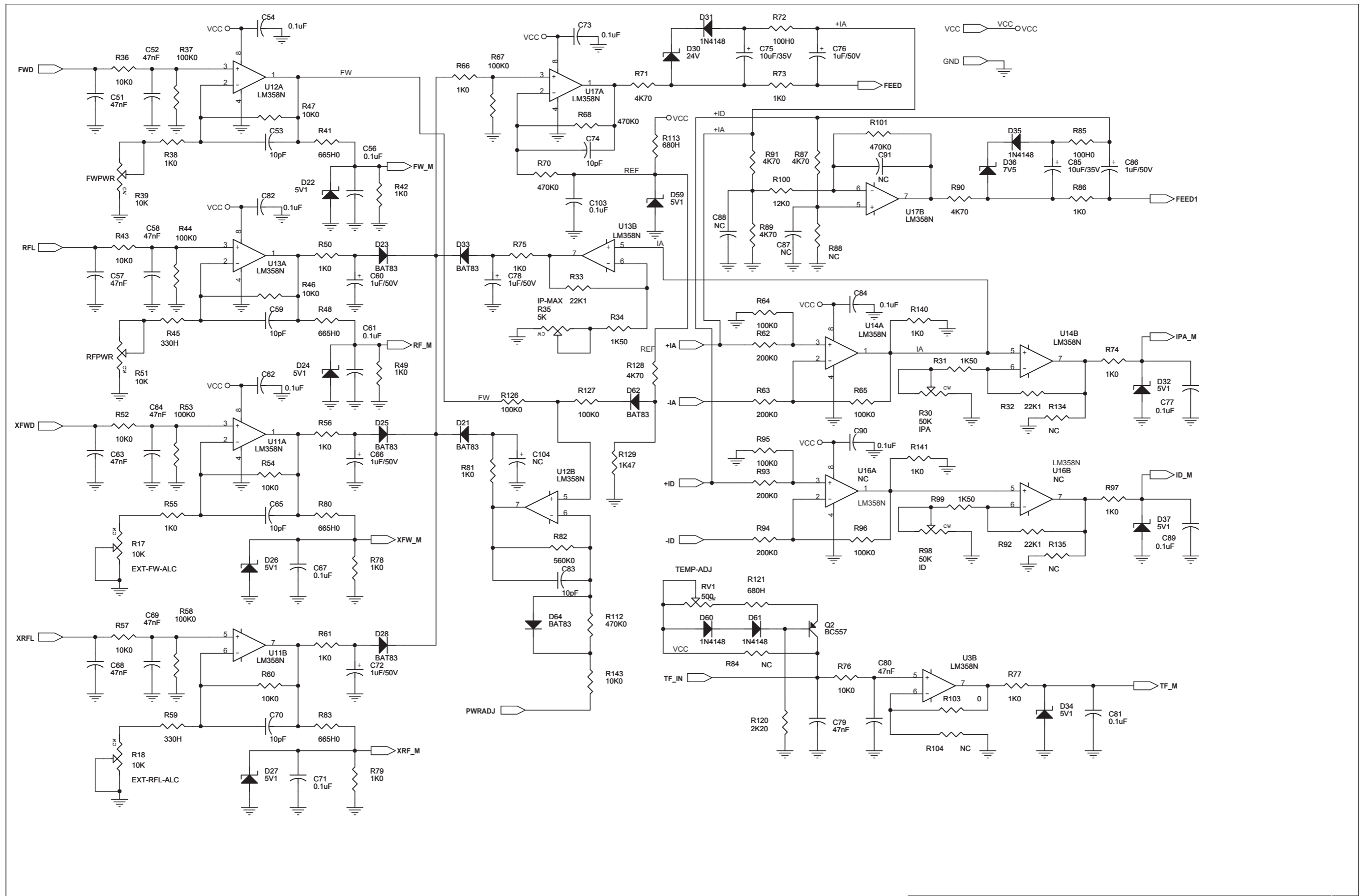
25	1	D36	7V5
26	2	D52,D53	LED-R3
27	4	D54,D55,D57,D58	LED-G3
28	4	FIX1,FIX2,FIX3,FIX4	FIX35
29	1	F2	F2A
30	2	JP1,JP3	CN16PD
31	1	JP2	CN26PD
32	1	JP5	DB15FSO
33	1	JP6	STM06D
34	1	JP7	STM03S
35	1	JP8	CN02PS
36	1	PF1	PFS520
37	1	Q1	TIP2955
38	2	Q4,Q2	BC557
39	1	Q3	MJE2955
40	1	Q5	BC547
41	1	RR1	100K
42	1	RV1	500
43	2	RY1,RY2	RLY2_12V
44	1	R1	3K3
45	1	R2	330
46	1	R3	1H2
47	5	R4,R6,R9,R10,R13	2K0
48	4	R5,R7,R8,R11	18K2
49	1	R12	6K04
50	1	R14	909K0
51	16	R15,R37,R44,R53,R58,R62, R63,R64,R65,R67,R93,R94, R95,R96,R126,R127	100K0
52	21	R16,R38,R42,R49,R50,R55, R56,R61,R66,R73,R74,R75, R77,R78,R79,R81,R86,R97, R124,R140,R141	1K0
53	4	R17,R18,R39,R51	10K
54	8	R21,R22,R71,R87,R89,R90, R91,R128	4K70
55	2	R125,R23	2K2
56	16	R24,R25,R26,R27,R28,R29, R36,R43,R46,R47,R52,R54, R57,R60,R76,R143	10K0
57	2	R98,R30	50K
58	4	R31,R34,R99,R111	1K50
59	3	R32,R33,R92	22K1
60	1	R35	5K

61	4	R41,R48,R80,R83	665H0
62	2	R45,R59	332H0
63	4	R68,R70,R101,R112	470K0
64	2	R72,R85	100H0
65	1	R82	560K0
66	1	R100	12K0
67	1	R102	S12V
68	1	R103	0
69	2	R105,R108	3K90
70	1	R106	2K70
71	1	R109	470H0
72	1	R110	1K80
73	1	R113	680H0
74	1	R120	2K20
75	1	R121	680
76	2	R123,R122	270
77	1	R129	1K47
78	1	R142	4K7
79	1	U1	78L05
80	2	U4,U2	7815
81	6	U3,U11,U12,U13,U14,U17	LM358N
82	1	U5	7912
83	1	U6	4094
84	3	U7,U8,U10	4051
85	1	U9	7407

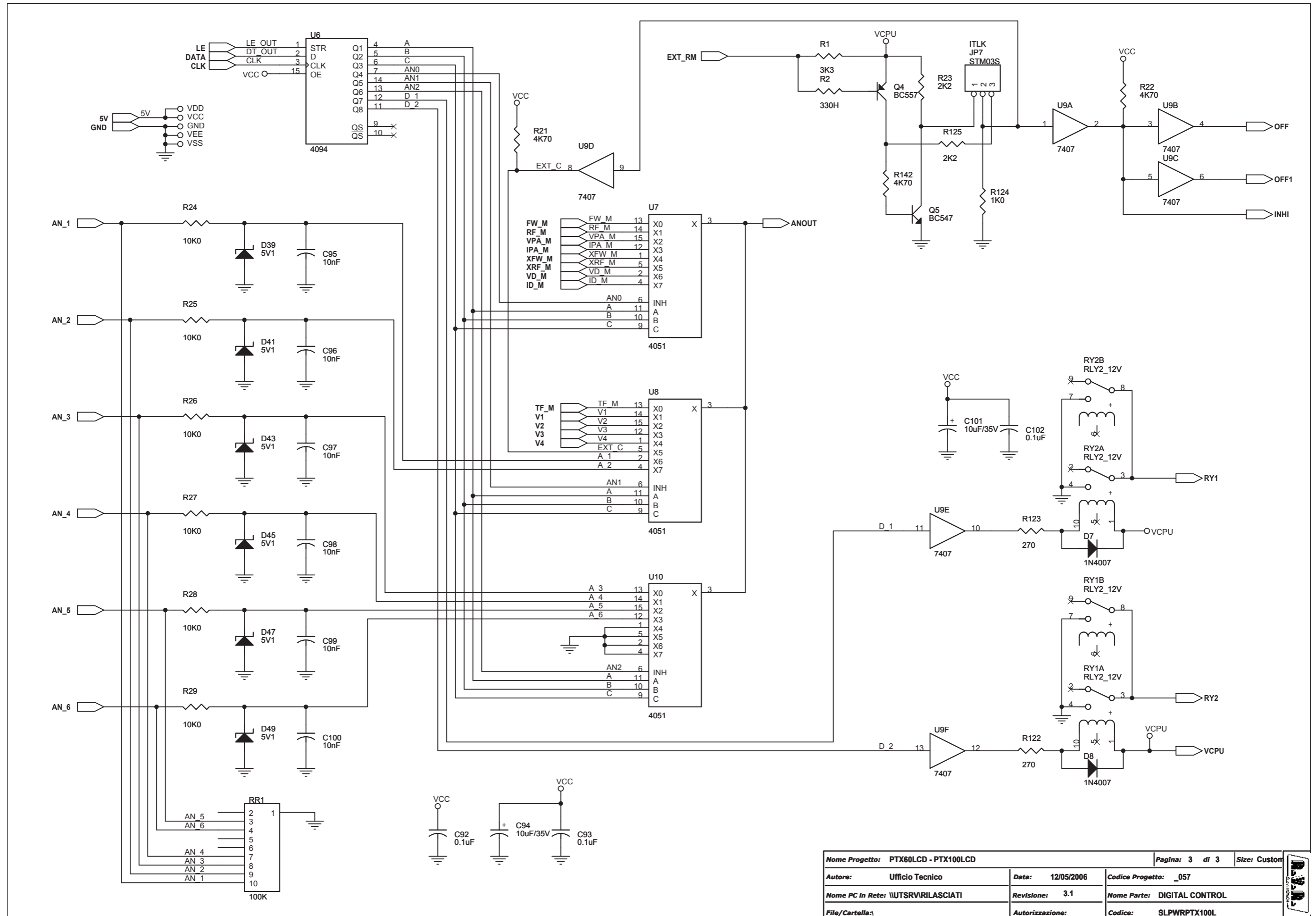


I i TO220 e il TO218 vanno fissati esternamente allo stampato sulla aletta

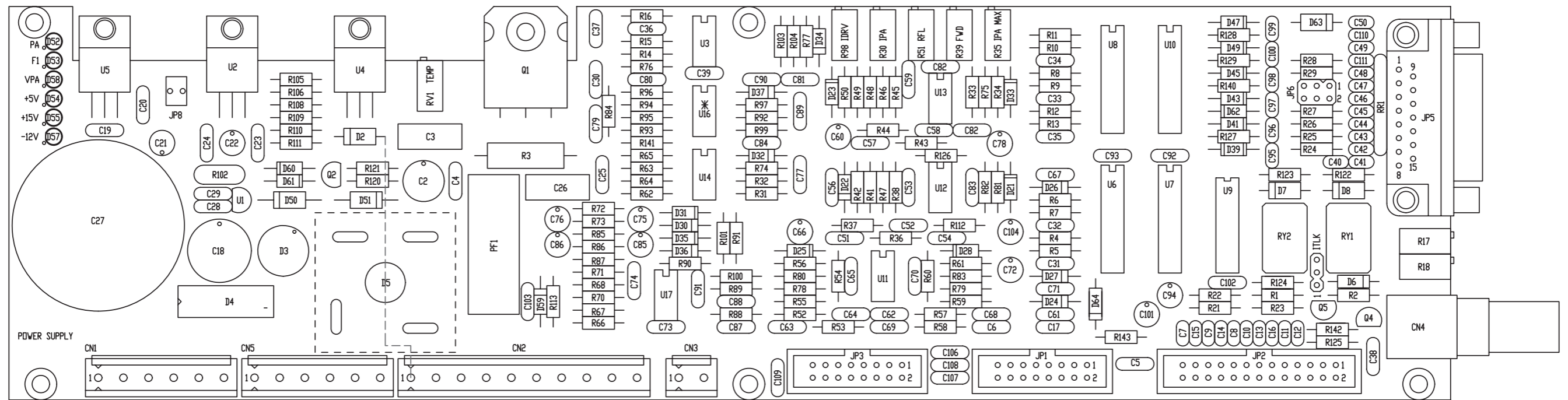
Nome Progetto: PTX60LCD - PTX100LCD		Pagina: 1 di 3		Size: A3
Autore: Ufficio Tecnico	Data: 12/05/2006	Codice Progetto: _057		
Nome PC in Rete: WUTSRVIRILASCIATI	Revisione: 3.1	Nome Parte: POWER SUPPLY		
File/Cartella:	Autorizzazione:	Codice: SLPWRPTX100L		



Nome Progetto: PTX60LCD - PTX100LCD		Pagina: 2 di 3	Size: A3
Autore: Ufficio tecnico	Data: 12/05/2006	Codice Progetto: _057	
Nome PC in Rete: \UTSRV\IRLASCIAI	Revisione: 3.1	Nome Parte: CONTROL SUPPLY	
File/Cartella:	Autorizzazione:	Codice: SLPWRPTX100L	



Nome Progetto: PTX60LCD - PTX100LCD		Pagina: 3 di 3	Size: Custom
Autore: Ufficio Tecnico	Data: 12/05/2006	Codice Progetto: _057	
Nome PC in Rete: \UTSRVIRILASCIATI	Revisione: 3.1	Nome Parte: DIGITAL CONTROL	
File/Cartella:	Autorizzazione:	Codice: SLPWRPTX100L	



* N.B.:
U16 = N.C.

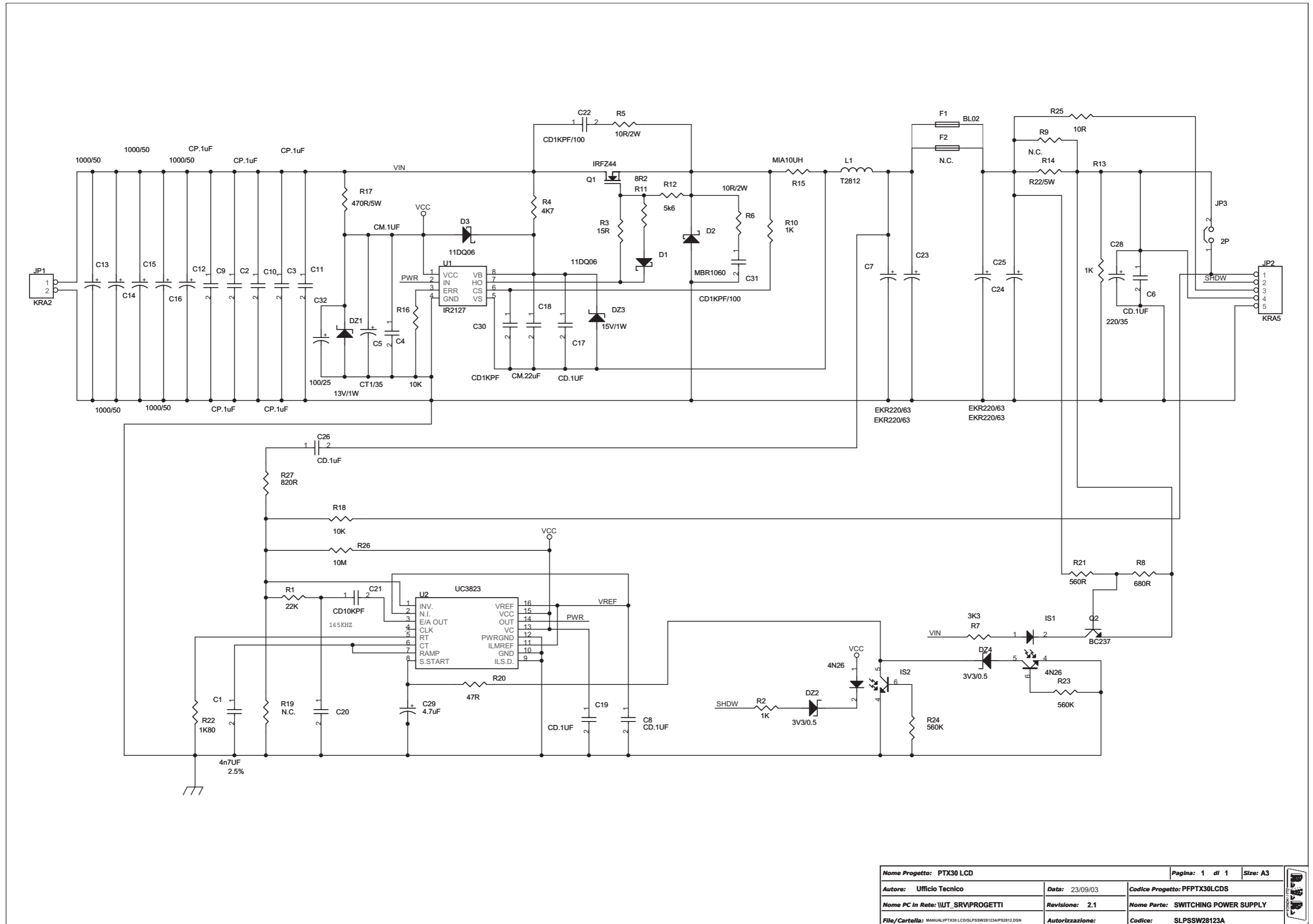
Nome Progetto: PTX60LCD - PTX100LCD		Pagina: 1 di 1		Size: A3	
Autore: Ufficio Tecnico		Data: 12/05/2006	Codice Progetto: _057		
Nome PC in Rete: \\UTSRV\RILASCIATI		Revisione: 2.2	Nome Parte: POWER SUPPLY PTX30/100LCD		
File/Cartella:\		Autorizzazione:	Codice: SLPWRPTX100L		
Scala: /	Materiale: /	Trattamento: /	Profilo: /		



POWER SUPPLY Revised: 12/05/2006
 SLPWRPTX100L Revision: 3.1
 PTX60LCD - PTX100LCD
 _057

Item	Quantity	Reference	Part	Description
1	2	CN1, CN5	CN06MR	Connettore Lumberg KB p. 5mm 6 pin
2	1	CN2	CN10MR	Connettore Lumberg KB p. 5mm 10 pin
3	1	CN3	CN02MR	Connettore Lumberg KB p. 5mm 2 pin
4	1	CN4	BNC_IS90	Connettore BNC metallico 90°
5	1	C2	100uF/25V	Cond. Elettr. Vert.
6	2	C3, C26	220nF	Cond. Poli. p 5/7.5/10mm
7	42	C4, C5, C6, C17, C19, C20, C23, C24, C25, C28, C29, C30, C31, C32, C33, C34, C35, C36, C37, C38, C39, C54, C56, C61, C62, C67, C71, C73, C77, C81, C82, C84, C89, C90, C92, C93, C102, C103, C106, C107, C108, C109	0.1uF	Cond. ceramico p 5mm
8	10	C7, C8, C9, C10, C13, C14, C15, C16, C46, C47	100pF	
9	19	C11, C12, C40, C41, C42, C43, C44, C45, C48, C49, C50, C95, C96, C97, C98, C99, C100, C110, C111	10nF	
10	1	C18	1000uF/35V	
11	6	C21, C22, C75, C85, C94, C101	10uF/35V	Cond. Elettr. Vert.
12	1	C27	4700uF/40V	
13	10	C51, C52, C57, C58, C63, C64, C68, C69, C79, C80	47nF	Cond. ceramico p 5mm
14	6	C53, C59, C65, C70, C74, C83	10pF	Cond. ceramico p 5mm
15	6	C60, C66, C72, C76, C78, C86	1uF/50V	Cond. Elettr. Vert.
16	3	C87, C88, C91	NC	Cond. ceramico p 5mm
17	1	C104	NC	Cond. Elettr. Vert.
18	5	D2, D6, D7, D8, D63	1N4007	Diode in vetro DO35
19	1	D3	WL02	Ponte diodi tondi W
20	1	D4	KBU4	Ponte diodi KBL/KBU
21	1	D5	KBPC2504	Ponte diodi KBPC
22	7	D21, D23, D25, D28, D33, D62, D64	BAT83	Diode Hot carrier DO35
23	14	D22, D24, D26, D27, D32, D34, D37, D39, D41, D43, D45, D47, D49, D59	5V1	1/2W Zener Diode
24	1	D30	24V	1/2W Zener Diode
25	2	D31, D35	1N4148	Diode in silicio DO35
26	1	D36	7V5	1/2W Zener Diode
27	2	D50, D51	1N4007	Diode silicio DO41
28	2	D52, D53	LED-R3	LED dia. 3mm
29	4	D54, D55, D57, D58	LED-G3	LED dia. 3mm
30	2	D60, D61	1N4148	
31	4	FIX1, FIX2, FIX3, FIX4	FIX35	Foro fissaggio 3.5mm
32	1	F2	F2A	Fusibile rapido 5x20mm
33	2	JP1, JP3	CN16PD	Connettore 16 poli Flat cs
34	1	JP2	CN26PD	Connettore 26 poli Flat cs
35	1	JP5	DB15FSO	Connettore DB15 femm. cs 90°
36	1	JP6	STM06D	Strip maschio 3+3 pin
37	1	JP7	STM03S	Strip maschio 3 pin
38	1	JP8	CN02PS	Connettore 2 poli Panduit
39	1	PF1	PFS520	Portafusibile 5x20
40	1	Q1	TIP2955	
41	2	Q2, Q4	BC557	Trans. PNP TO92
42	1	Q5	BC547	Trans. NPN TO92
43	1	RR1	100K	Rete resistiva 9R
44	1	RV1	500	Trimmer Rg H 3296X
45	2	RY1, RY2	RLY2_12V	Rele' TQ2
46	1	R1	3K3	Res. 1/4W 5%
47	1	R2	330H	Res. 1/4W 5%
48	1	R3	1H2	Res. 2W 5%
49	5	R4, R6, R9, R10, R13	2K0	Res. 1/4W 1%
50	4	R5, R7, R8, R11	18K2	Res. 1/4W 1%
51	1	R12	6K04	Res. 1/4W 1%
52	1	R14	909K0	Res. 1/4W 1%
53	12	R15, R37, R44, R53, R58, R64, R65, R67, R95, R96, R126, R127	100K0	Res. 1/4W 1%
54	21	R16, R38, R42, R49, R50, R55, R56, R61, R66, R73, R74, R75, R77, R78, R79, R81, R86, R97, R124, R140, R141	1K0	Res. 1/4W 1%
55	4	R17, R18, R39, R51	10K	Trimmer Rg H 3296X
56	8	R21, R22, R71, R87, R89, R90, R91, R128	4K70	Res. 1/4W 1%
57	2	R23, R125	2K2	Res. 1/4W 1%
58	16	R24, R25, R26, R27, R28, R29, R36, R43, R46, R47, R52, R54, R57, R60, R76, R143	10K0	Res. 1/4W 1%
59	2	R30, R98	50K	Trimmer Rg H 3296X
60	4	R31, R34, R99, R111	1K50	Res. 1/4W 1%
61	3	R32, R33, R92	22K1	Res. 1/4W 1%
62	1	R35	5K	Trimmer Rg H 3296X
63	4	R41, R48, R80, R83	665H0	Res. 1/4W 1%
64	2	R45, R59	330H	Res. 1/4W 1%
65	4	R62, R63, R93, R94	200K0	Res. 1/4W 1%
66	4	R68, R70, R101, R112	470K0	Res. 1/4W 1%
67	2	R72, R85	100H0	Res. 1/4W 1%
68	1	R82	560K0	Res. 1/4W 1%
69	5	R84, R88, R104, R134, R135	NC	Res. 1/4W 1%
70	1	R100	12K0	Res. 1/4W 1%
71	1	R102	S12V	Varistor
72	1	R103	0	Res. 1/4W 1%
73	2	R105, R108	3K90	Res. 1/4W 1%
74	1	R106	2K70	Res. 1/4W 1%
75	1	R109	470H0	Res. 1/4W 1%
76	1	R110	1K80	Res. 1/4W 1%
77	2	R113, R121	680H	Res. 1/4W 1%

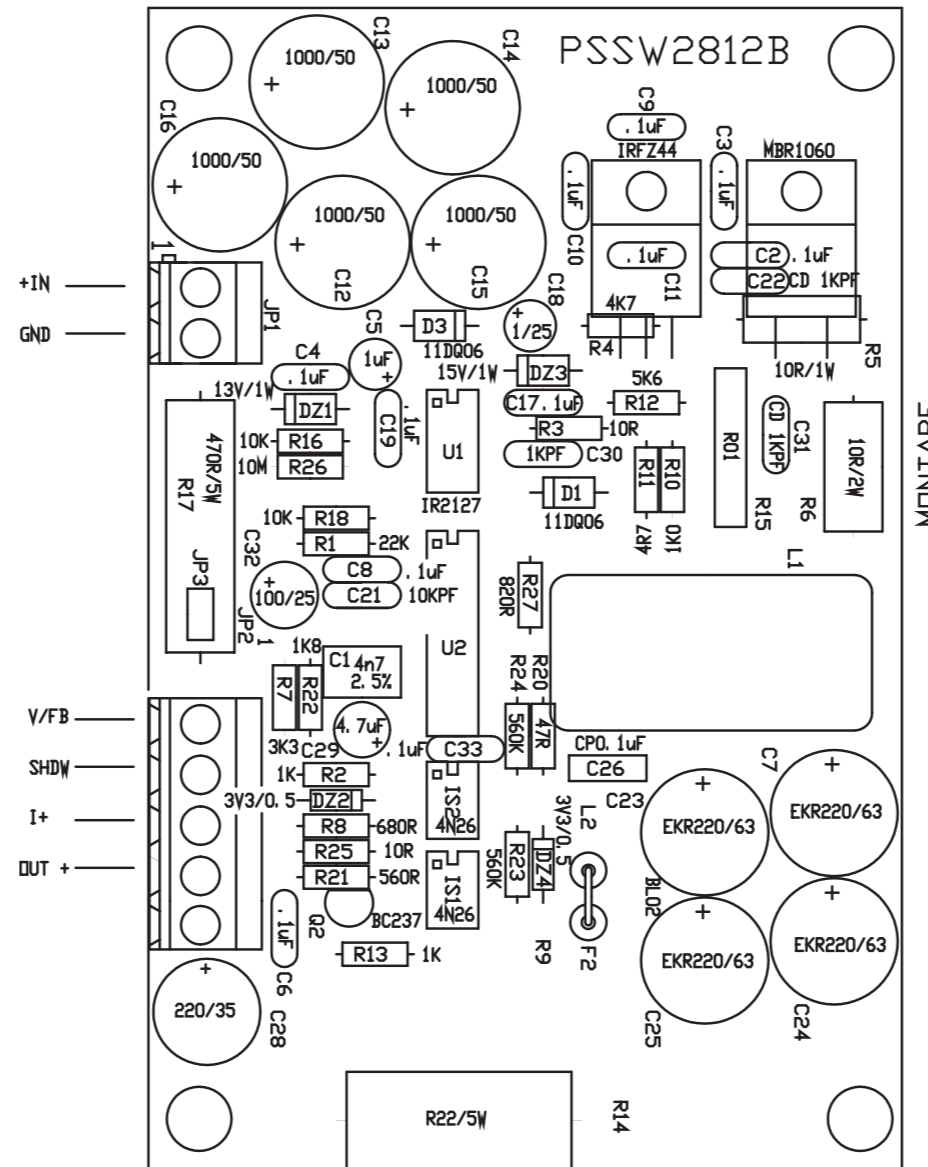
Item	Quantity	Reference	Part	Description
78	1	R120	2K20	Res. 1/4W 1%
79	2	R122, R123	270	Res. 1/4W 5%
80	1	R129	1K47	Res. 1/4W 1%
81	1	R142	4K70	Res. 1/4W 5%
82	1	U1	78L05	Stabilizzatore TO92
83	2	U2, U4	7815	Stabilizzatore TO220
84	6	U3, U11, U12, U13, U14, U17	LM358N	
85	1	U5	7912	Stabilizzatore TO220
86	1	U6	4094	Shift Reg. DIP16
87	3	U7, U8, U10	4051	
88	1	U9	7407	
89	1	U16	NC	



Nome Progetto: PTX30 LCD		Pagina: 1 di 1	Size: A3
Autore: Ufficio Tecnico	Data: 23/09/03	Codice Progetto: PFPTX30LCDS	
Nome PC in Rete: \UT_SRV\PROGETTI	Revisione: 2.1	Nome Parte: SWITCHING POWER SUPPLY	
File/Cartella: MANUAL\PTX30 LCD\SLPSSW28123\APSS2812.DSN	Autorizzazione:	Codice: SLPSSW28123A	

3A VERSION

PTX30 LCD



Nome Progetto: PTX30 LCD		Pagina: 1 di 1	Size: A4
Autore: Ufficio Tecnico		Data: 28/04/04	Codice Progetto: PFPTX30LCDS
Nome PC in Rete: \\UT_SRV\PROGETTI		Revisione: 2.2	Nome Parte: SWITCHING POWER SUPPLY LAYOUT
File/Cartella: MANUAL\PTX30 LCD\SLPSSW28123A\PSSW28123A.DWG		Autorizzazione:	Codice: SLPSSW28123A
Scala: /	Materiale: /	Trattamento: /	Profilo: /

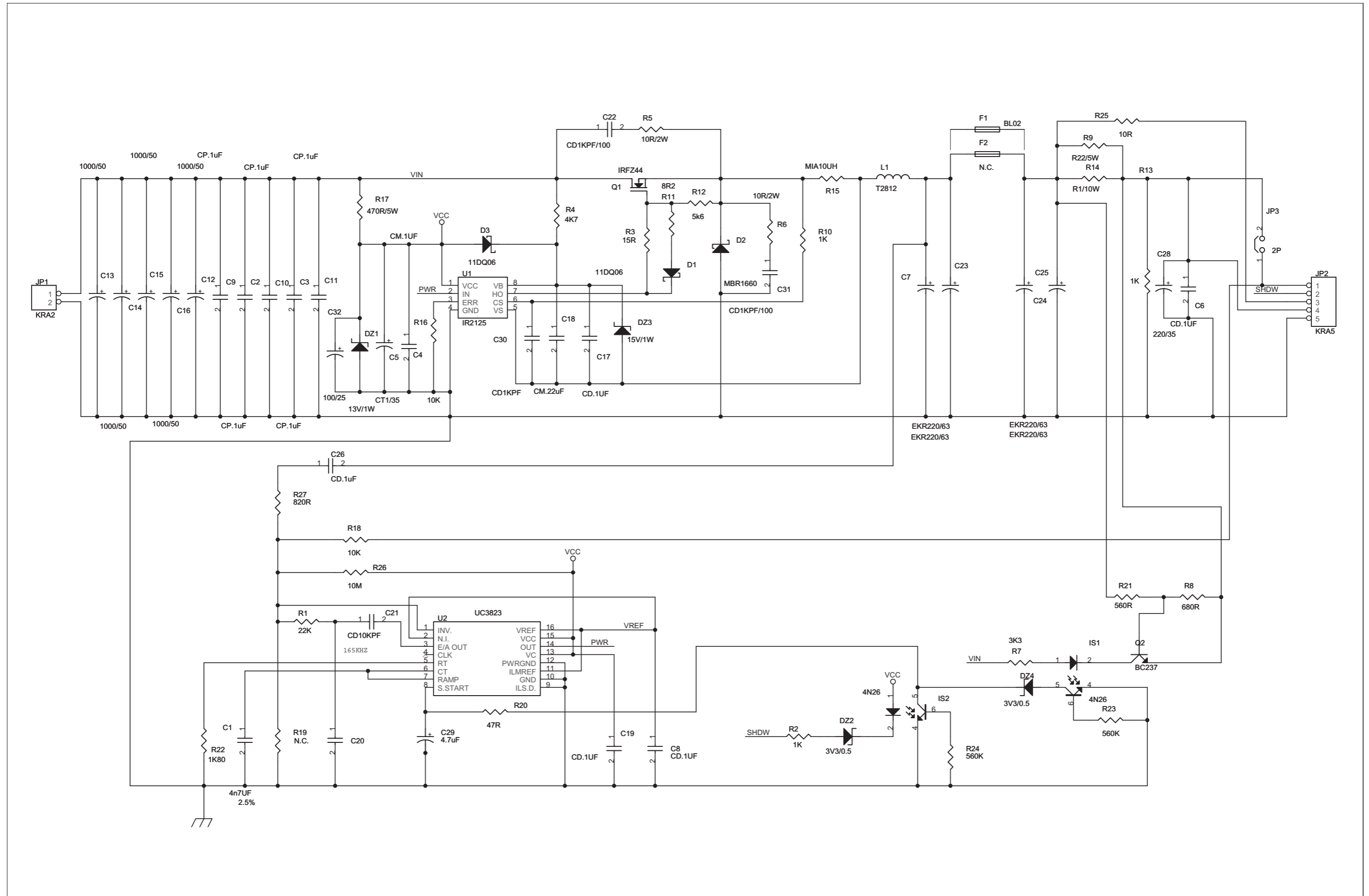
Scheda Madre Power Supply			
PSSW 28123A			
Item	Q.ty	Reference	Part
1	1	C1	4n7UF
2	5	C2,C3,C9,C10,C11	CP.1uF
3	1	C4	CM.1UF
4	1	C5	CT1/35
5	5	C6,C8,C17,C19,C26	CD.1uF
6	4	C7,C23,C24,C25	EKR220/63
7	5	C12,C13,C14,C15,C16	1000/50
8	1	C18	CM.22uF
9	1	C20	CAP NP
10	1	C21	CD10KPF
11	2	C22,C31	CD1KPF/100
12	1	C28	220/35
13	1	C29	4.7uF
14	1	C30	CD1KPF
15	1	C32	100/25
16	1	DZ1	13V/1W
17	2	DZ2,DZ4	3V3/0.5
18	1	DZ3	15V/1W
19	2	D1,D3	11DQ06
20	1	D2	MBR1060
21	1	F1	BL02
22	3	F2,R9,R19	N.C.
23	2	IS2,IS1	4N26
24	1	JP1	KRA2
25	1	JP2	KRA5
26	1	JP3	2P
27	1	L1	T2812
28	1	Q1	IRFZ44
29	1	Q2	BC237
30	1	R1	22K
31	3	R2,R10,R13	1K
32	2	R25,R3	10R
33	1	R4	4K7
34	2	R5,R6	10R/2W
35	1	R7	3K3
36	1	R8	680R
37	1	R11	4R7
38	1	R12	5k6

39	1	R14	R22/5W
40	1	R15	MIA10UH
41	2	R16,R18	10K
42	1	R17	470R/5W
43	1	R20	47R
44	1	R21	560R
45	1	R22	1K80
46	2	R23,R24	560K
47	1	R26	10M
48	1	R27	820R
49	1	U1	IR2127
50	1	U2	UC3823
51	1	C1	4n7UF
52	5	C2,C3,C9,C10,C11	CP.1uF
53	1	C4	CM.1UF
54	1	C5	CT1/35
55	5	C6,C8,C17,C19,C26	CD.1uF
56	4	C7,C23,C24,C25	EKR220/63
57	5	C12,C13,C14,C15,C16	1000/50
58	1	C18	CM.22uF
59	1	C20	CAP NP
60	1	C21	CD10KPF
61	2	C22,C31	CD1KPF/100
62	1	C28	220/35
63	1	C29	4.7uF
64	1	C30	CD1KPF
65	1	C32	100/25
66	1	DZ1	13V/1W
67	2	DZ2,DZ4	3V3/0.5
68	1	DZ3	15V/1W
69	2	D1,D3	11DQ06
70	1	D2	MBR1060
71	1	F1	BL02
72	1	F2	N.C.
73	2	IS1,IS2	4N26
74	1	JP1	KRA2
75	1	JP2	KRA5
76	1	JP3	2P
77	1	L1	T2812
78	1	Q1	IRFZ44
79	1	Q2	BC237
80	1	R1	22K
81	3	R2,R10,R13	1K
82	2	R3,R25	10R

PSSW28123/1

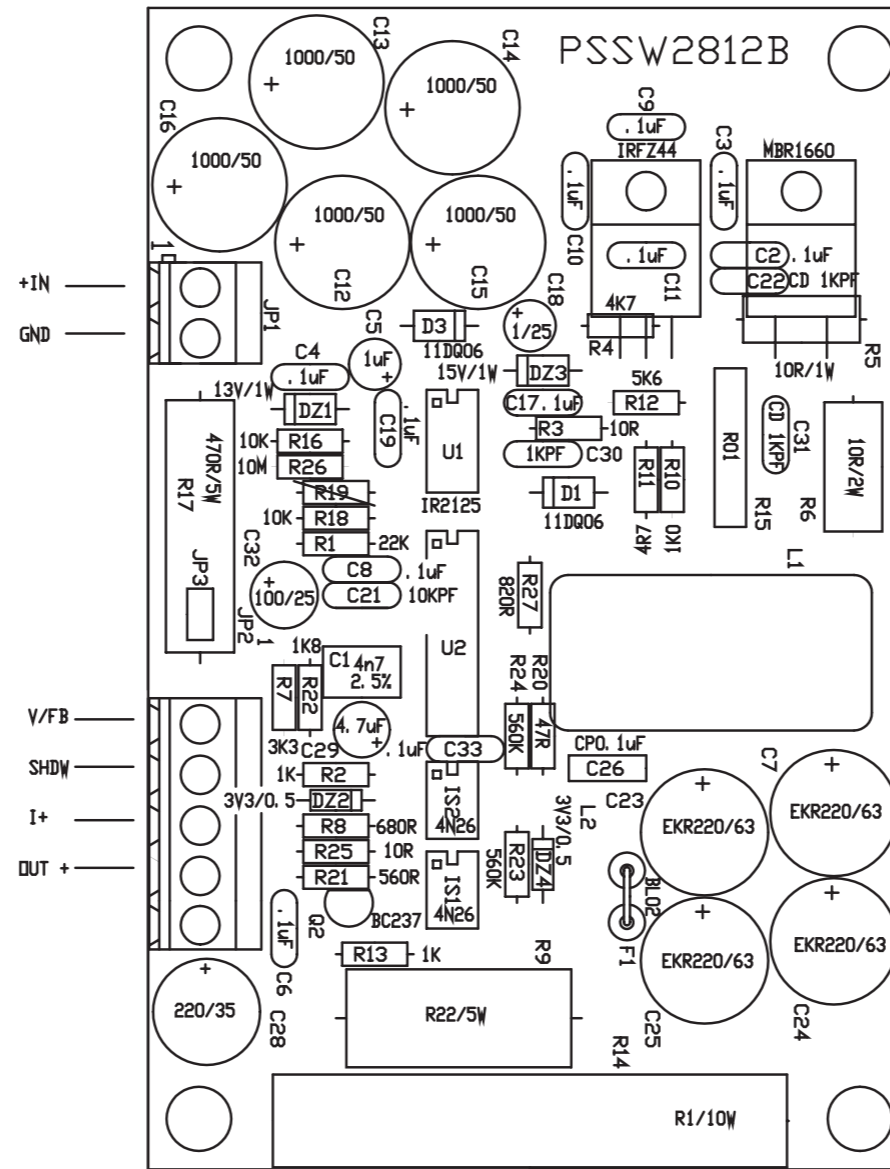
83	1	R4	4K7
84	2	R5,R6	10R/2W
85	1	R7	3K3
86	1	R8	680R
87	2	R9,R14	R22/5W
88	1	R11	4R7
89	1	R12	5k6
90	1	R15	MIA10UH
91	2	R16,R18	10K
92	1	R17	470R/5W
93	1	R19	2K2
94	1	R20	47R
95	1	R21	560R
96	1	R22	1K80
97	2	R23,R24	560K
98	1	R26	10M
99	1	R27	820R
100	1	U1	IR2125
101	1	U2	UC3823
102	1	C1	4n7UF
103	5	C2,C3,C9,C10,C11	CP.1uF
104	1	C4	CM.1UF
105	1	C5	CT1/35
106	5	C6,C8,C17,C19,C26	CD.1uF
107	4	C7,C23,C24,C25	EKR220/63
108	5	C12,C13,C14,C15,C16	1000/50
109	1	C18	CM.22uF
110	1	C20	CAP NP
111	1	C21	CD10KPF
112	2	C22,C31	CD1KPF/100
113	1	C28	220/35
114	1	C29	4.7uF
115	1	C30	CD1KPF
116	1	C32	100/25
117	1	DZ1	13V/1W
118	2	DZ2,DZ4	3V3/0.5
119	1	DZ3	15V/1W
120	2	D3,D1	11DQ06
121	1	D2	MBR1060
122	1	F1	BL02
123	2	R19,F2	N.C.
124	2	IS1,IS2	4N26
125	1	JP1	KRA2
126	1	JP2	KRA5/6

127	1	JP3	2P
128	1	L1	T2812
129	1	Q1	IRFZ44
130	1	Q2	BC237
131	1	R1	22K
132	3	R2,R10,R13	1K
133	2	R3,R25	10R
134	1	R4	4K7
135	2	R5,R6	10R/2W
136	1	R7	3K3
137	1	R8	680R
138	1	R9	R22/5W
139	1	R11	4R7
140	1	R12	5k6
141	1	R14	R1/10W
142	1	R15	MIA10UH
143	2	R16,R18	10K
144	1	R17	470R/5W
145	1	R20	47R
146	1	R21	560R
147	1	R22	1K80
148	2	R23,R24	560K
149	1	R26	10M
150	1	R27	820R
151	1	U1	IR2127
152	1	U2	UC3823



Nome Progetto: PTX60LCD - PTX100LCD		Pagina: 1 di 1	Size: A3
Autore: Ufficio Tecnico	Data: 28/04/04	Codice Progetto: PFPTX100LCS	
Nome PC in Rete: \\UT_SRV\PROGETTI	Revisione: 2.2	Nome Parte: SWITCHING POWER SUPPLY	
File/Cartella: \MANUAL\PTX30 LCD\SLPSSW281210\PS281210.DSN	Autorizzazione:	Codice: SLPSSW281210	

10A VERSION
PTX60 LCD & PTX100 LCD



Nome Progetto: PTX60LCD - PTX100LCD		Pagina: 1 di 1	Size: A4
Autore: Ufficio Tecnico	Data: 28/04/04	Codice Progetto: PFPTX100LCDS	
Nome PC in Rete: \\UT_SRV\PROGETTI	Revisione: 2.2	Nome Parte: SWITCHING POWER SUPPLY LAYOUT	
File/Cartella: MANUALI\PTX30 LCD\SLPSSW281210\PSSW281210.DWG	Autorizzazione:	Codice: SLPSSW281210	
Scala: /	Materiale: /	Trattamento: /	Profilo: /



PSSW281210

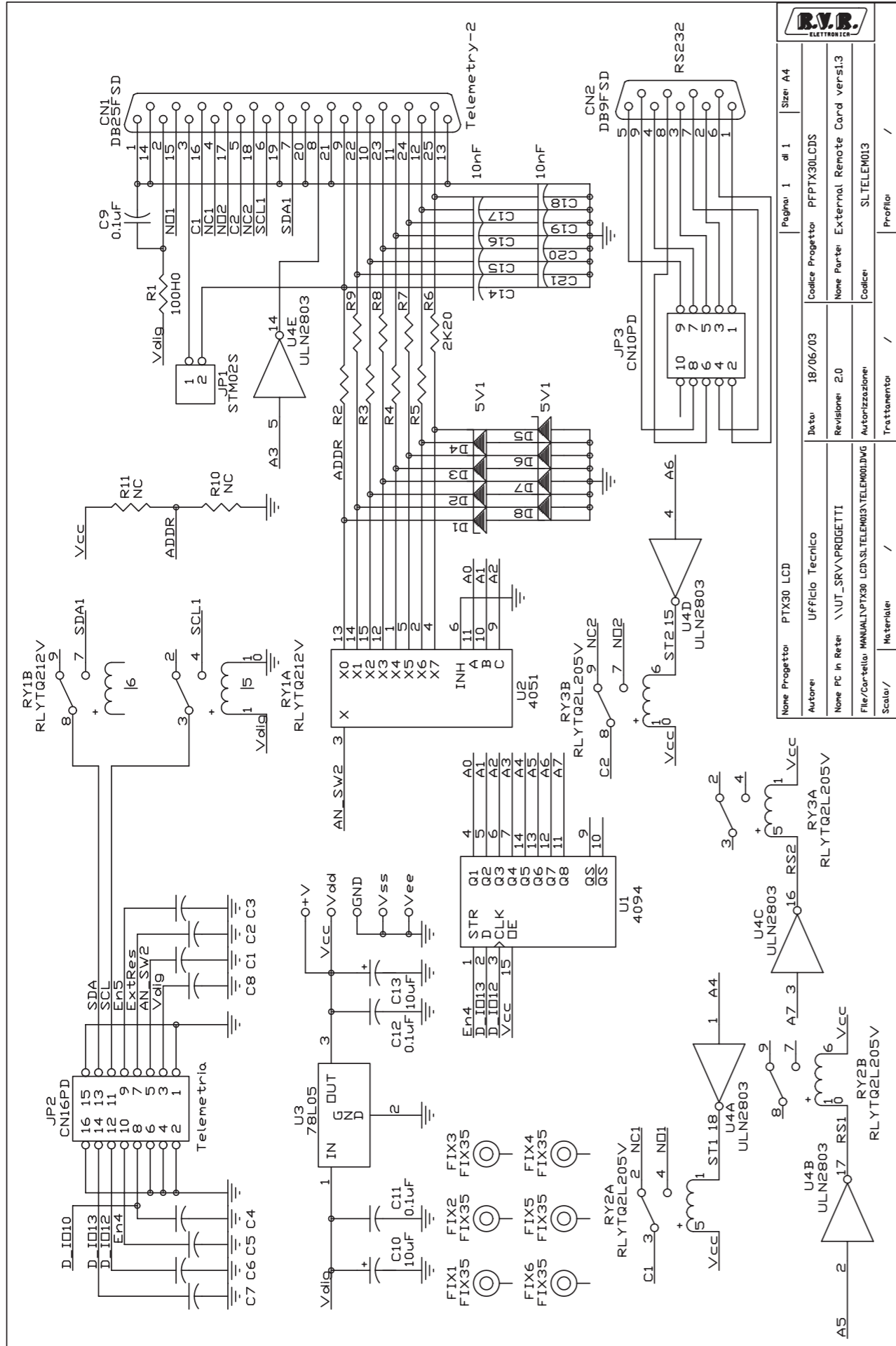
Scheda Madre Power Supply			
PSSW 281210			
Item	Q.ty	Reference	Part
1	1	C1	4n7UF
2	5	C2,C3,C9,C10,C11	CP.1uF
3	1	C4	CM.1UF
4	1	C5	CT1/35
5	5	C6,C8,C17,C19,C26	CD.1uF
6	4	C7,C23,C24,C25	EKR220/63
7	5	C12,C13,C14,C15,C16	1000/50
8	1	C18	CM.22uF
9	1	C20	CAP NP
10	1	C21	CD10KPF
11	2	C22,C31	CD1KPF/100
12	1	C28	220/35
13	1	C29	4.7uF
14	1	C30	CD1KPF
15	1	C32	100/25
16	1	DZ1	13V/1W
17	2	DZ2,DZ4	3V3/0.5
18	1	DZ3	15V/1W
19	2	D1,D3	11DQ06
20	1	D2	MBR1660
21	1	F1	BL02
22	3	F2,R9,R19	N.C.
23	2	IS2,IS1	4N26
24	1	JP1	KRA2
25	1	JP2	KRA5
26	1	JP3	2P
27	1	L1	T2812
28	1	Q1	IRFZ44
29	1	Q2	BC237
30	1	R1	22K
31	3	R2,R10,R13	1K
32	2	R25,R3	10R
33	1	R4	4K7
34	2	R5,R6	10R/2W
35	1	R7	3K3
36	1	R8	680R
37	1	R9	R22/5W
38	1	R11	4R7

39	1	R12	5k6
40	1	R14	R1/10W
41	1	R15	MIA10UH
42	2	R16,R18	10K
43	1	R17	470R/5W
44	1	R20	47R
45	1	R21	560R
46	1	R22	1K80
47	2	R23,R24	560K
48	1	R26	10M
49	1	R27	820R
50	1	U1	IR2127
51	1	U2	UC3823
52	1	C1	4n7UF
53	5	C2,C3,C9,C10,C11	CP.1uF
54	1	C4	CM.1UF
55	1	C5	CT1/35
56	5	C6,C8,C17,C19,C26	CD.1uF
57	4	C7,C23,C24,C25	EKR220/63
58	5	C12,C13,C14,C15,C16	1000/50
59	1	C18	CM.22uF
60	1	C20	CAP NP
61	1	C21	CD10KPF
62	2	C22,C31	CD1KPF/100
63	1	C28	220/35
64	1	C29	4.7uF
65	1	C30	CD1KPF
66	1	C32	100/25
67	1	DZ1	13V/1W
68	2	DZ2,DZ4	3V3/0.5
69	1	DZ3	15V/1W
70	2	D1,D3	11DQ06
71	1	D2	MBR1060
72	1	F1	BL02
73	1	F2	N.C.
74	2	IS1,IS2	4N26
75	1	JP1	KRA2
76	1	JP2	KRA5
77	1	JP3	2P
78	1	L1	T2812
79	1	Q1	IRFZ44
80	1	Q2	BC237
81	1	R1	22K
82	3	R2,R10,R13	1K

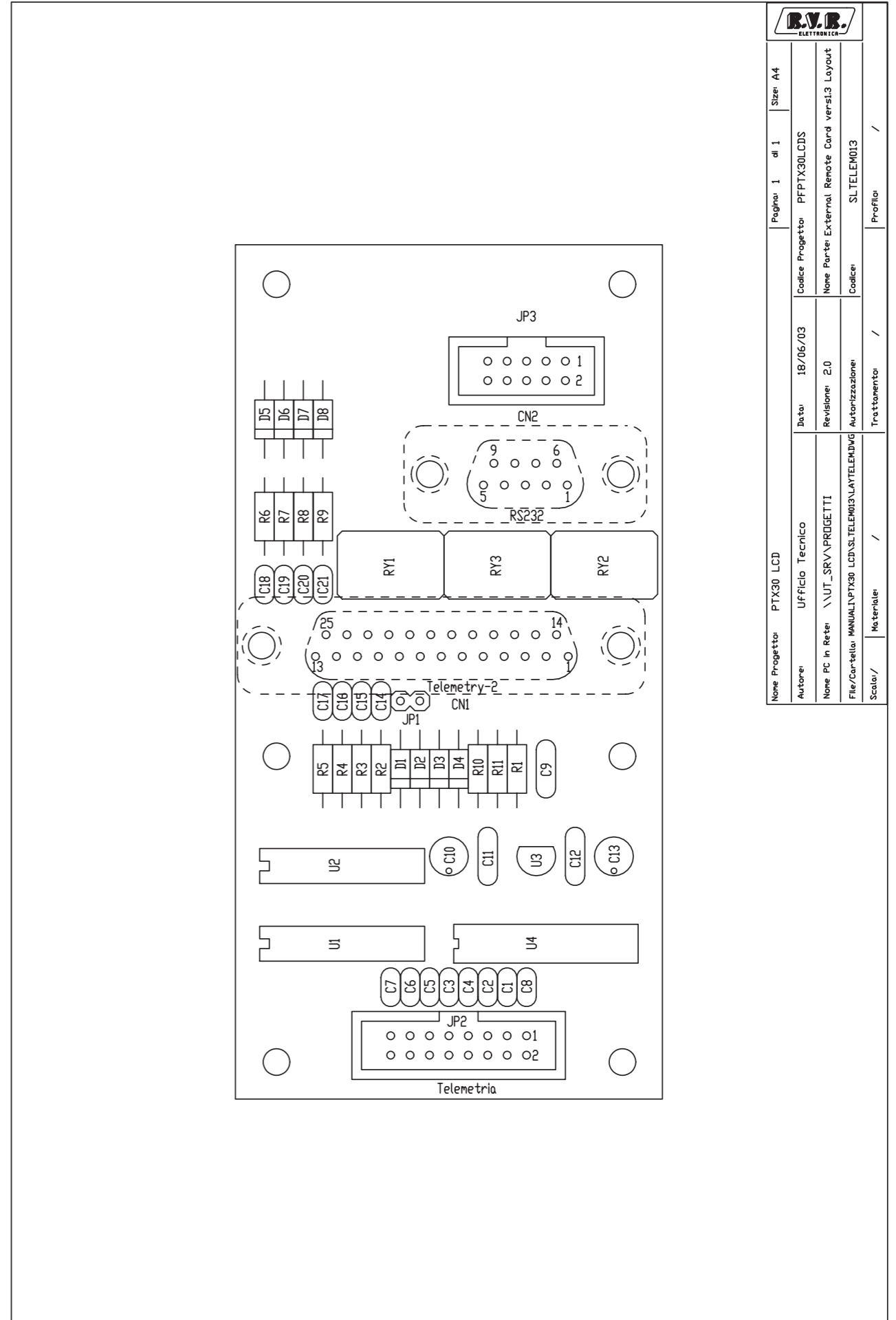
PSSW281210

83	2	R3,R25	10R
84	1	R4	4K7
85	2	R5,R6	10R/2W
86	1	R7	3K3
87	1	R8	680R
88	2	R9,R14	R22/5W
89	1	R11	4R7
90	1	R12	5k6
91	1	R15	MIA10UH
92	2	R16,R18	10K
93	1	R17	470R/5W
94	1	R19	2K2
95	1	R20	47R
96	1	R21	560R
97	1	R22	1K80
98	2	R23,R24	560K
99	1	R26	10M
100	1	R27	820R
101	1	U1	IR2125
102	1	U2	UC3823
103	1	C1	4n7UF
104	5	C2,C3,C9,C10,C11	CP.1uF
105	1	C4	CM.1UF
106	1	C5	CT1/35
107	5	C6,C8,C17,C19,C26	CD.1uF
108	4	C7,C23,C24,C25	EKR220/63
109	5	C12,C13,C14,C15,C16	1000/50
110	1	C18	CM.22uF
111	1	C20	CAP NP
112	1	C21	CD10KPF
113	2	C22,C31	CD1KPF/100
114	1	C28	220/35
115	1	C29	4.7uF
116	1	C30	CD1KPF
117	1	C32	100/25
118	1	DZ1	13V/1W
119	2	DZ2,DZ4	3V3/0.5
120	1	DZ3	15V/1W
121	2	D3,D1	11DQ06
122	1	D2	MBR1660
123	1	F1	BL02
124	2	R19,F2	N.C.
125	2	IS1,IS2	4N26
126	1	JP1	KRA2

127	1	JP2	KRA5/6
128	1	JP3	2P
129	1	L1	T2812
130	1	Q1	IRFZ44
131	1	Q2	BC237
132	1	R1	22K
133	3	R2,R10,R13	1K
134	2	R3,R25	10R
135	1	R4	4K7
136	2	R5,R6	10R/2W
137	1	R7	3K3
138	1	R8	680R
139	1	R9	R22/5W
140	1	R11	4R7
141	1	R12	5k6
142	1	R14	R1/10W
143	1	R15	MIA10UH
144	2	R16,R18	10K
145	1	R17	470R/5W
146	1	R20	47R
147	1	R21	560R
148	1	R22	1K80
149	2	R23,R24	560K
150	1	R26	10M
151	1	R27	820R
152	1	U1	IR2125
153	1	U2	UC3823



Nome Progetto:	PTX30 LCD	Pagina:	1	di:	1	Size:	A4
Autore:	Ufficio Tecnico	Data:	18/06/03	Revisione:	2.0	Nome Parte:	External Remote Card vers1.3
Nome PC in Rete:	\\UT_SRV\PROGETTI	File/Carrello:	MANUAL\PTX30 LCD\SLTELEM013\TELEM01.DWG	Autore:		Nome Parte:	External Remote Card vers1.3
Scala:	/	Materiali:	/	Trattamenti:	/	Profilo:	/

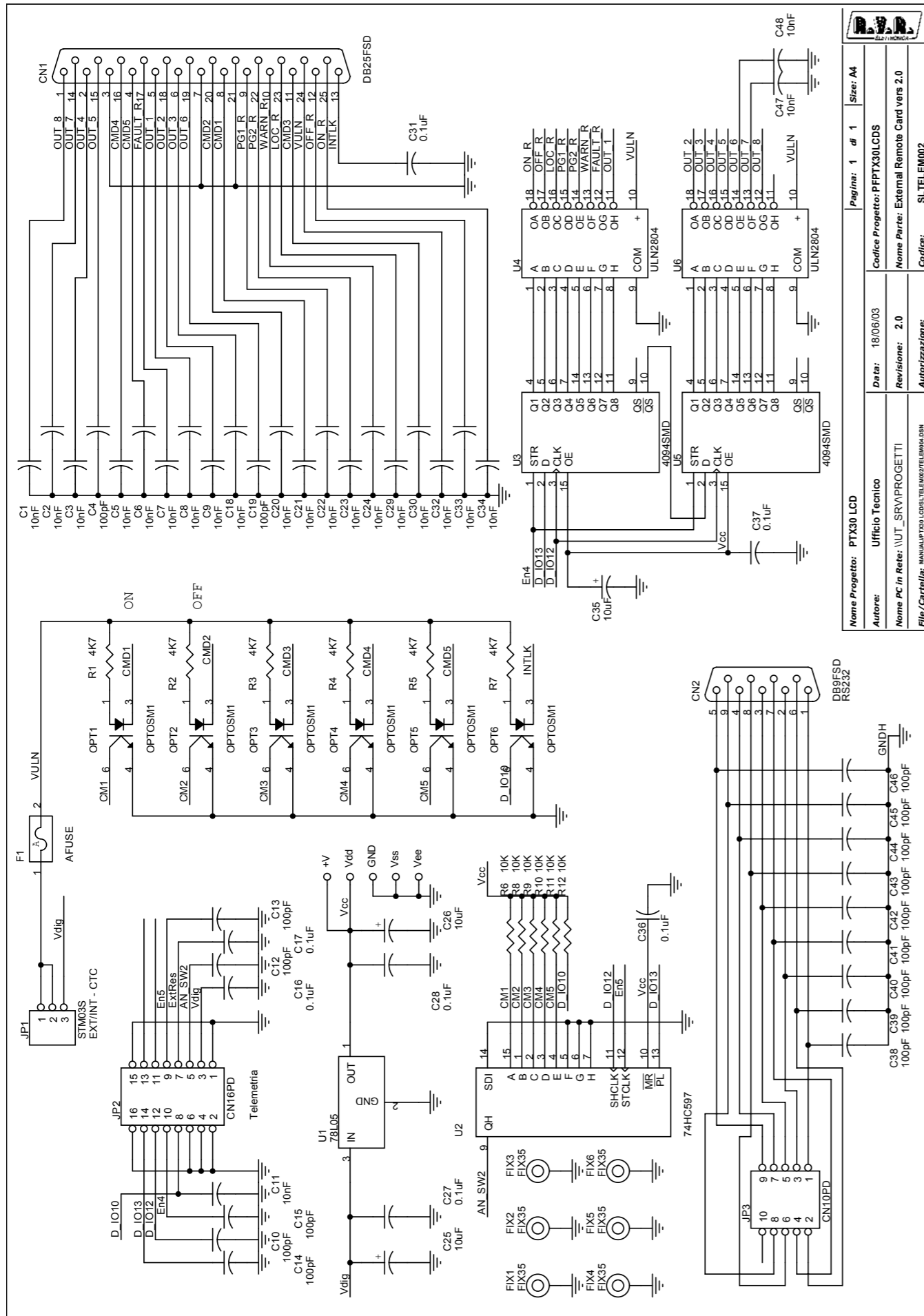


Nome Progetto:	PTX30 LCD	Pagina:	1	di:	1	Size:	A4
Autore:	Ufficio Tecnico	Data:	18/06/03	Revisione:	2.0	Nome Parte:	External Remote Card vers1.3
Nome PC in Rete:	\\UT_SRV\PROGETTI	File/Carrello:	MANUAL\PTX30 LCD\SLTELEM013\LAYTELEM.DWG	Autore:		Nome Parte:	External Remote Card vers1.3
Scala:	/	Materiali:	/	Trattamenti:	/	Profilo:	/

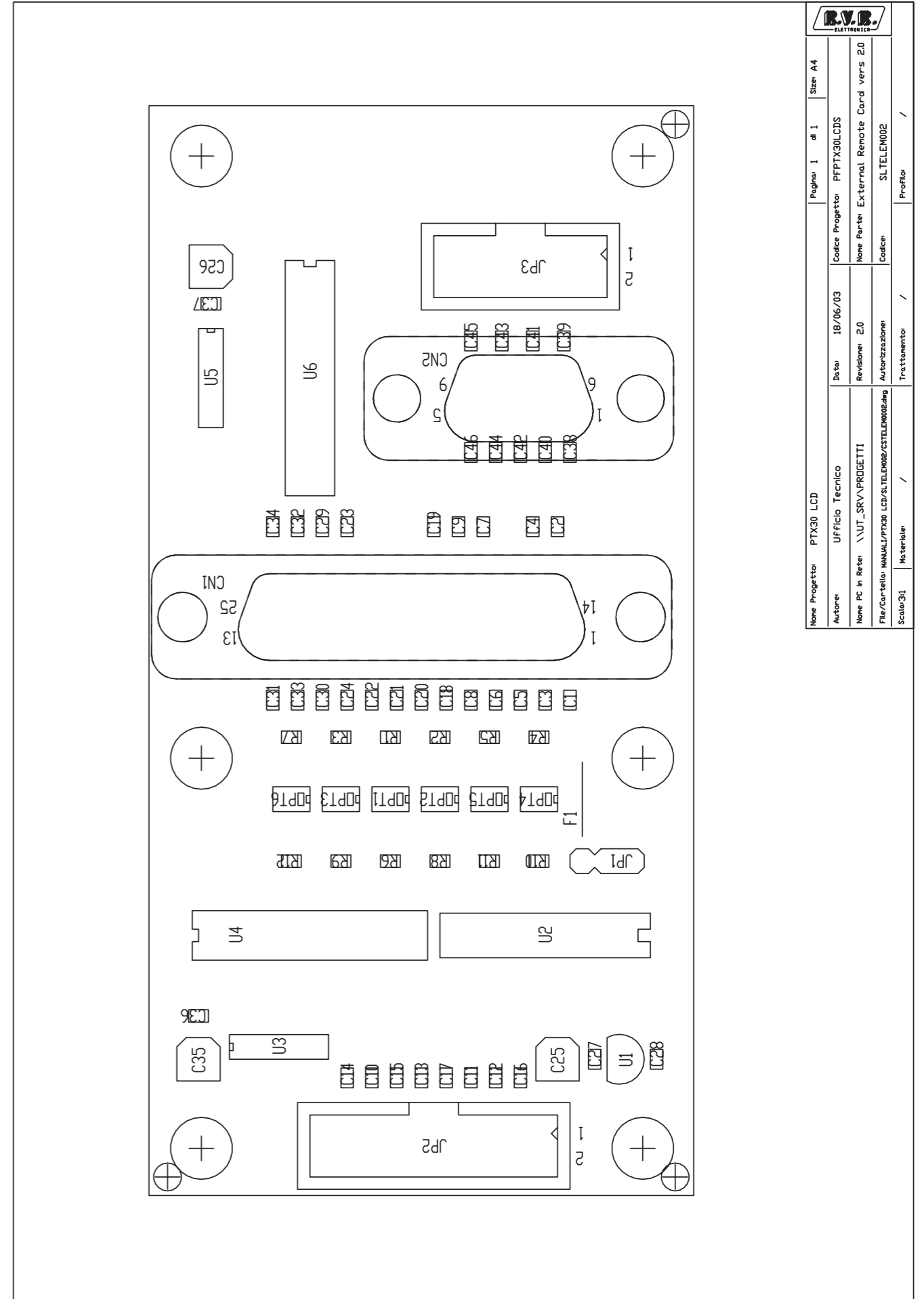
SLTELEM013

Telemetry card			
SLTELEM00001			
Version:1,1			
7/6/2001			
Item	Reference	Part	Description
1	CS1	CS	Circuito stampato
2	C1	100pF	Cond. ceramico p. 2.54mm
3	C2	100pF	Cond. ceramico p. 2.54mm
4	C3	100pF	Cond. ceramico p. 2.54mm
5	C4	100pF	Cond. ceramico p. 2.54mm
6	C5	100pF	Cond. ceramico p. 2.54mm
7	C6	100pF	Cond. ceramico p. 2.54mm
8	C7	100pF	Cond. ceramico p. 2.54mm
9	C8	10nF	Cond. ceramico p. 2.54mm
10	U1	4094	CI digitale
11	U2	4051	CI digitale
12	R1	100H0	Res. 1/4 W 1%
13	JP1	STM02S	Strip M 2.54 2 pin.
14	JP2	CN16PD	Conn. M cs 2x2.54mm a 16 p.
15	C10	10uF	Cond. el. ver. 16V p. 2.5mm
16	C9	0.1uF	Cond. ceramico p. 5mm
17	C11	0.1uF	Cond. ceramico p. 5mm
18	C12	0.1uF	Cond. ceramico p. 5mm
19	C13	10uF	Cond. el. ver. 16V p. 2.5mm
20	RY1	RLYTQ212V	Rele' con bobina a 2V V
21	RY2	RLYTQ2L205V	Rele' con bobina a 5V V
22	RY3	RLYTQ2L205V	Rele' con bobina a 5V V
23	D1	5V1	Diodo Zener 1/2 W
24	D2	5V1	Diodo Zener 1/2 W
25	D3	5V1	Diodo Zener 1/2 W
26	D4	5V1	Diodo Zener 1/2 W
27	D5	5V1	Diodo Zener 1/2 W
28	D6	5V1	Diodo Zener 1/2 W
29	D7	5V1	Diodo Zener 1/2 W
30	D8	5V1	Diodo Zener 1/2 W
31	R2	2K20	Res. 1/4 W 1%
32	R3	2K20	Res. 1/4 W 1%
33	R4	2K20	Res. 1/4 W 1%
34	R5	2K20	Res. 1/4 W 1%
35	R6	2K20	Res. 1/4 W 1%

36	R7	2K20	Res. 1/4 W 1%
37	R8	2K20	Res. 1/4 W 1%
38	R9	2K20	Res. 1/4 W 1%
39	C14	10nF	Cond. ceramico p. 2.54mm
40	C16	10nF	Cond. ceramico p. 2.54mm
41	C17	10nF	Cond. ceramico p. 2.54mm
42	C18	10nF	Cond. ceramico p. 2.54mm
43	C19	10nF	Cond. ceramico p. 2.54mm
44	C20	10nF	Cond. ceramico p. 2.54mm
45	C21	10nF	Cond. ceramico p. 2.54mm
46	R10	NC	Non connesso
47	R11	NC	Non connesso
48	JP3	CN10PD	Conn. M cs 2x2.54mm a 10 p.
49	U4	ULN2803	CI digitale
50	CN1	DB25FSD	Conn. DB25 F stampato a 90°
51	CN2	DB9FSD	Conn. DB9F SD
52	C15	10nF	Cond. ceramico p. 2.54mm
53	U3	78L05	CI lineare



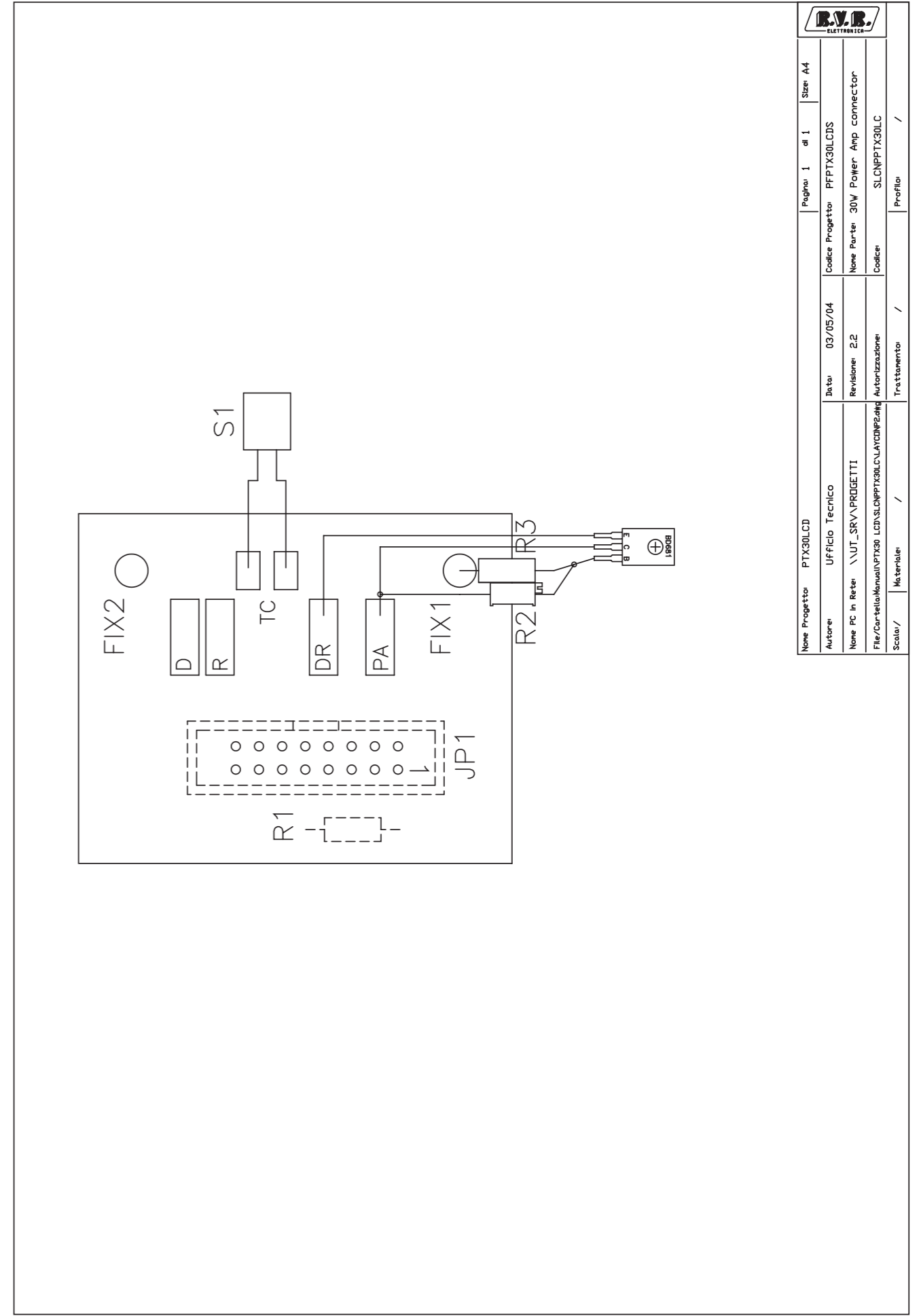
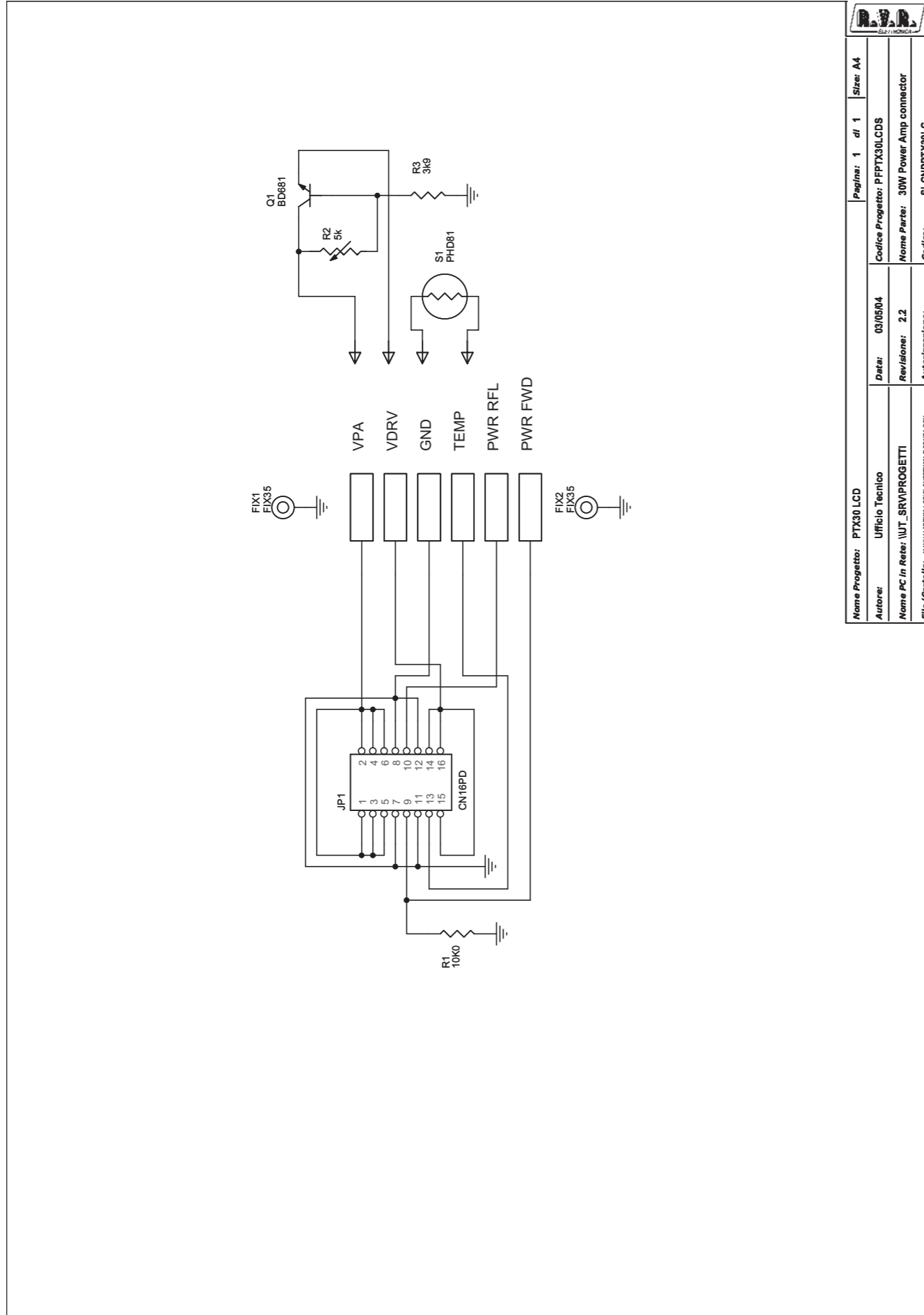
Nome Progetto: PTX30 LCD	Pagina: 1	di 1	Size: A4
Autore: Ufficio Tecnico	Data: 18/06/03	Codice Progetto: PPTX30LCDS	
Nome PC in Rete: \\UT_SRV\PROGETTI	Revisione: 2.0	Nome Parte: External Remote Card vers 2.0	
File/Cartella: MANALI\PTX30 LCD\SLTELEM002\TELEMM002.DSN	Autorizzazione:	Codice: SLTELEM002	



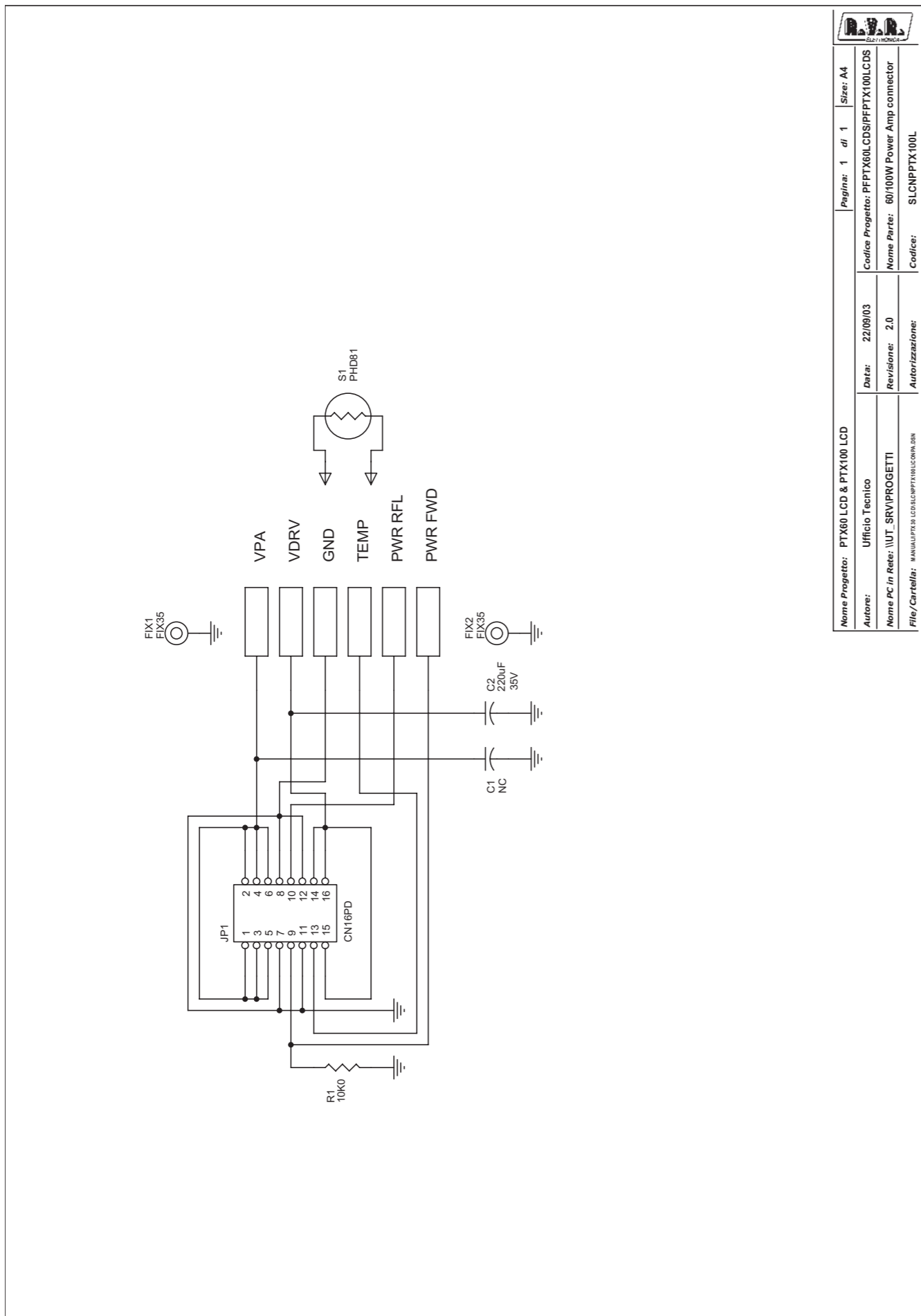
Nome Progetto: PTX30 LCD	Pagina: 1	di 1	Size: A4
Autore: Ufficio Tecnico	Data: 18/06/03	Codice Progetto: PPTX30LCDS	
Nome PC in Rete: \\UT_SRV\PROGETTI	Revisione: 2.0	Nome Parte: External Remote Card vers 2.0	
File/Cartella: MANALI\PTX30 LCD\SLTELEM002\TELEMM002.DSN	Autorizzazione:	Codice: SLTELEM002	
Scala: 3:1	Materiale:	Trattamento:	Profilo:

SLTELEM002

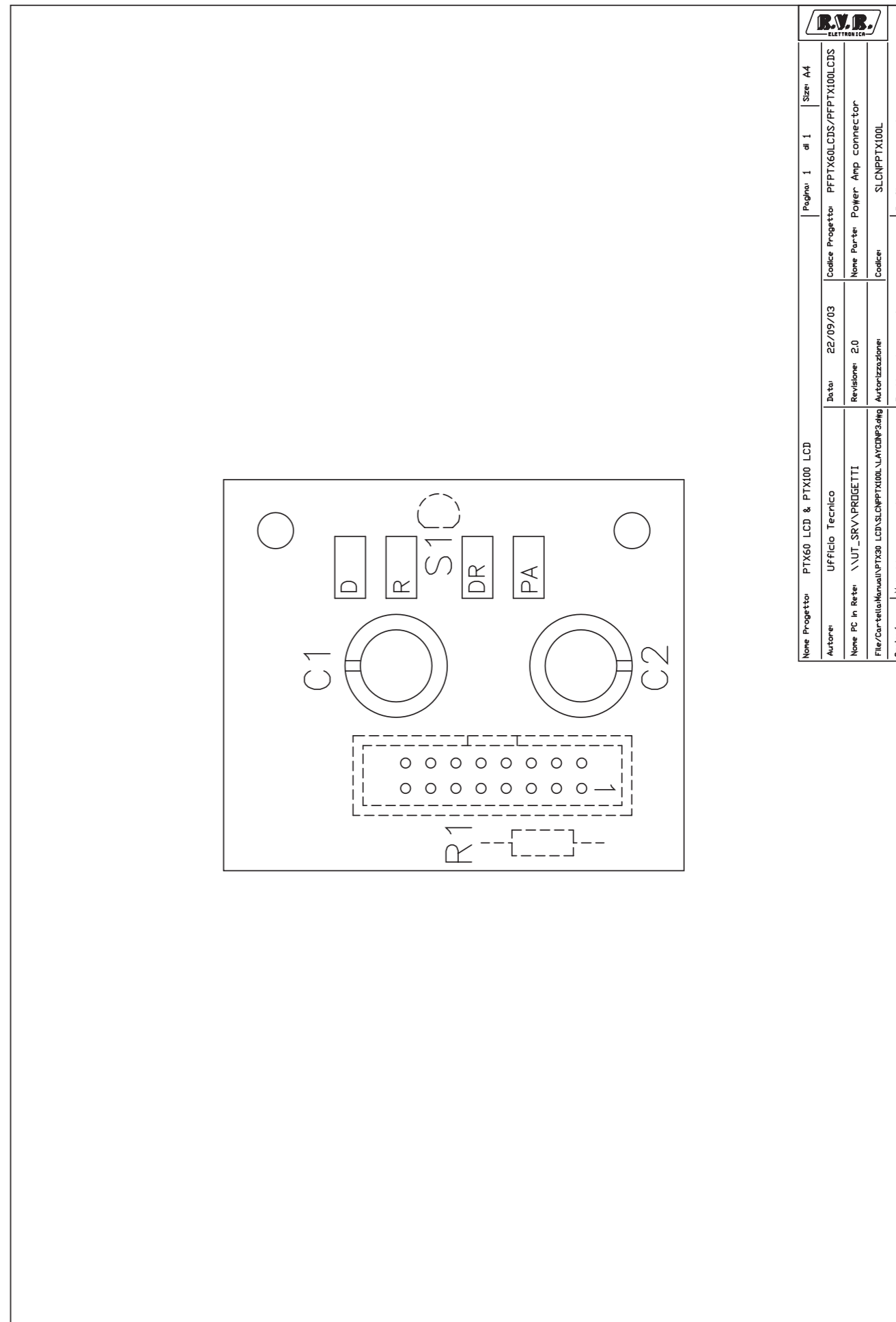
External Remote Card Revised: 14/07/04				
SLTELEM002 Revision: 3.0				
PTX30 LCD				
Item	Quantity	Reference	Part	Description
1	1	CN1	DB25FSD	Connettore DB25 femm. cs
2	1	CN2	DB9FSD	Connettore DB9 femm. cs
3	22	C1, C2, C3, C5, C6, C7, C8, C9, C11, C18, C20, C21, C22, C23, C24, C29, C30, C32, C33, C34, C47, C48	10nF	Cond. SMD 0805
4	16	C4, C10, C12, C13, C14, C15, C19, C38, C39, C40, C41, C42, C43, C44, C45, C46	100pF	Cond. SMD 0805
5	7	C16, C17, C27, C28, C31, C36, C37	0.1uF	Cond. SMD 0805
6	3	C25, C26, C35	10uF	Cond. Elett. SMD d. 4mm
7	6	FIX1, FIX2, FIX3, FIX4, FIX5, FIX6	FIX35	Foro fissaggio 3.5mm
8	1	F1	AFUSE	Fusibile autorip. 7mm
9	1	JP1	STM03S	Strip maschio 3 pin
10	1	JP2	CN16PD	Connettore 16 poli Flat cs
11	1	JP3	CN10PD	Connettore 10 poli Flat cs
12	6	OPT1, OPT2, OPT3, OPT4, OPT5, OPT6	OPTOSM1	Optoisolatore SMD SO6
13	6	R1, R2, R3, R4, R5, R7	4K7	Res. SMD 0805
14	6	R6, R8, R9, R10, R11, R12	10K	Res. SMD 0805
15	1	U1	78L05	Stabilizzatore TO92
16	1	U2	74HC597	Shift Reg. DIP16
17	2	U3, U5	4094SMD	Shift Reg. SMD SO16
18	2	U4, U6	ULN2804	Octal Inv. Driver DIP18



Power Amp connector - Bill of materials				
Item	Qty	Reference	Part	DESCRIPTION
1	1	R1	10K0	RESISTOR 1/4W 1%
2	2	R2	5K	TRIMMER 3296W
3	1	R3	1K5	RESISTOR 1/4W 1%
4	1	JP1	CN16PD	CONN. M 2*8 P 2.54
5	1	Q1	BD681	NPN POWER TRANSISTOR
6	1	S1	PHD81	SILICON TEMP. SENSOR



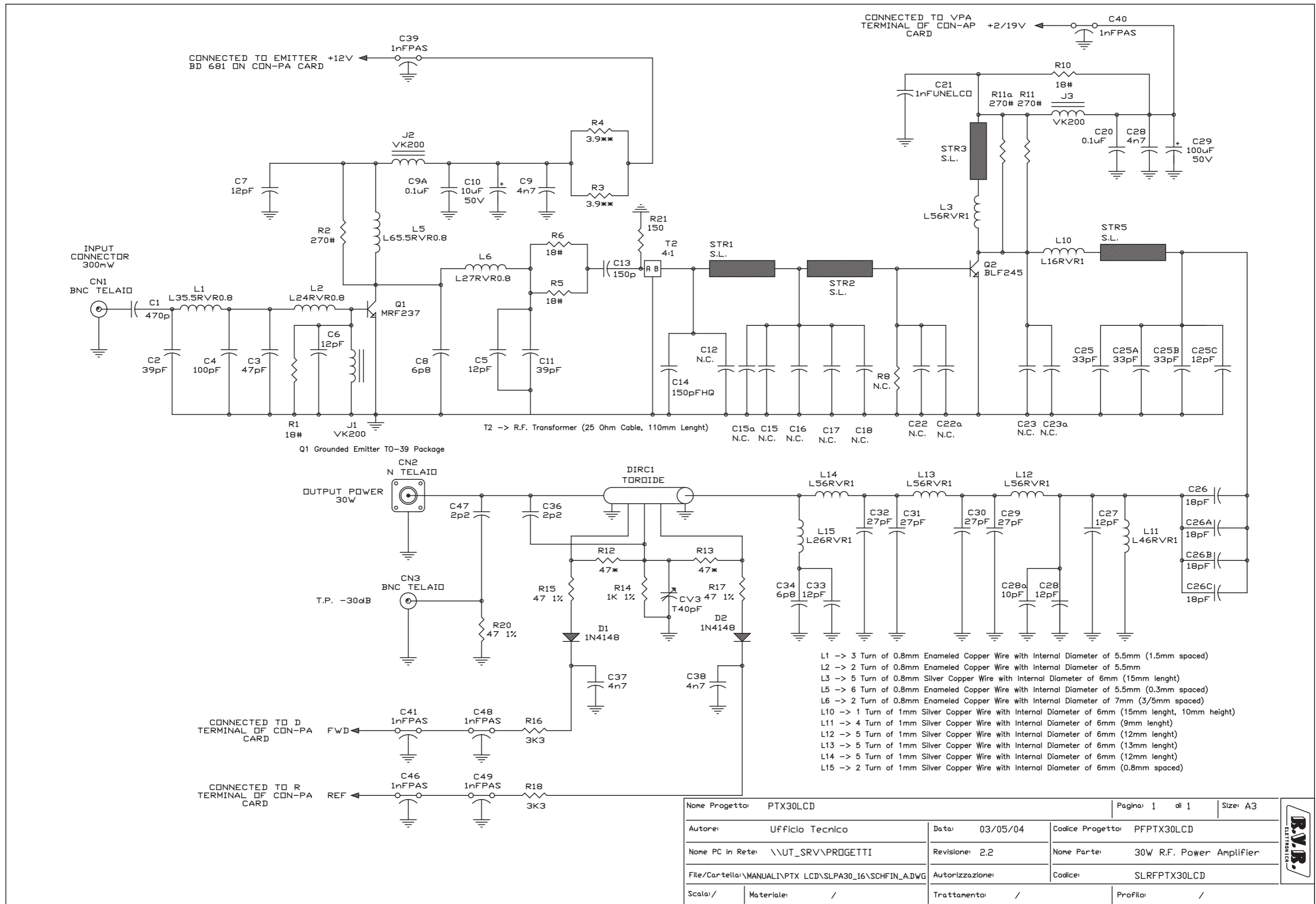
Nome Progetto: PTX60 LCD & PTX100 LCD	Pagina: 1	di 1	Size: A4
Autore: Ufficio Tecnico	Data: 22/09/03	Codice Progetto: PFPTX60LCDSPFFPTX100LCDS	
Nome PC in Rete: \\\UT_SRV\PROGETTI	Revisione: 2.0	Nome Parte: 60/100W Power Amp connector	
File/Cartella: MANUALEPTX30 LCD\SLCNPPTX100LCD\ENR.DWG	Autorizzazione:	Codice: SLCNPPTX100L	

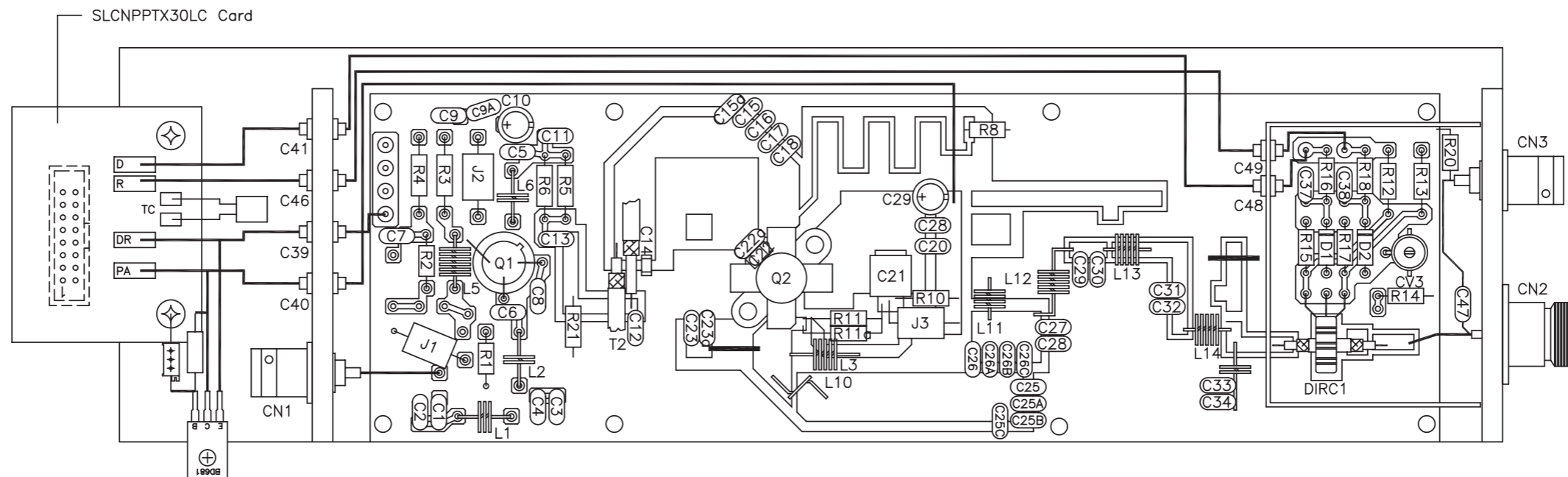


Nome Progetto: PTX60 LCD & PTX100 LCD	Pagina: 1	di 1	Size: A4
Autore: Ufficio Tecnico	Data: 22/09/03	Codice Progetto: PFPTX60LCDSPFFPTX100LCDS	
Nome PC in Rete: \\\UT_SRV\PROGETTI	Revisione: 2.0	Nome Parte: Power Amp connector	
File/Cartella: \\\UT_SRV\PROGETTI\LCD\SLCNPPTX100LCD\ENR.DWG	Autorizzazione:	Codice: SLCNPPTX100L	
Scala: /	Materiali: /	Treatmenti: /	Profilo: /

SLCNPPTX100LC

Power Amp connector				
SLCNPPTX100L				
Date: 14/07/04 Rev.:3.0				
Item	Qty	Reference	Part	DESCRIPTION
1	1	R1	10K0	RESISTOR 1/4W 1%
2	1	C2	220uF/ 35V	ELECTR. CAPACITOR
3	1	JP1	CN16PD	CONN. M 2*8 P 2.54
4	1	S1	PHD81	SILICON TEMP. SENSOR
5	1	C1	NC	NON CONNESSO





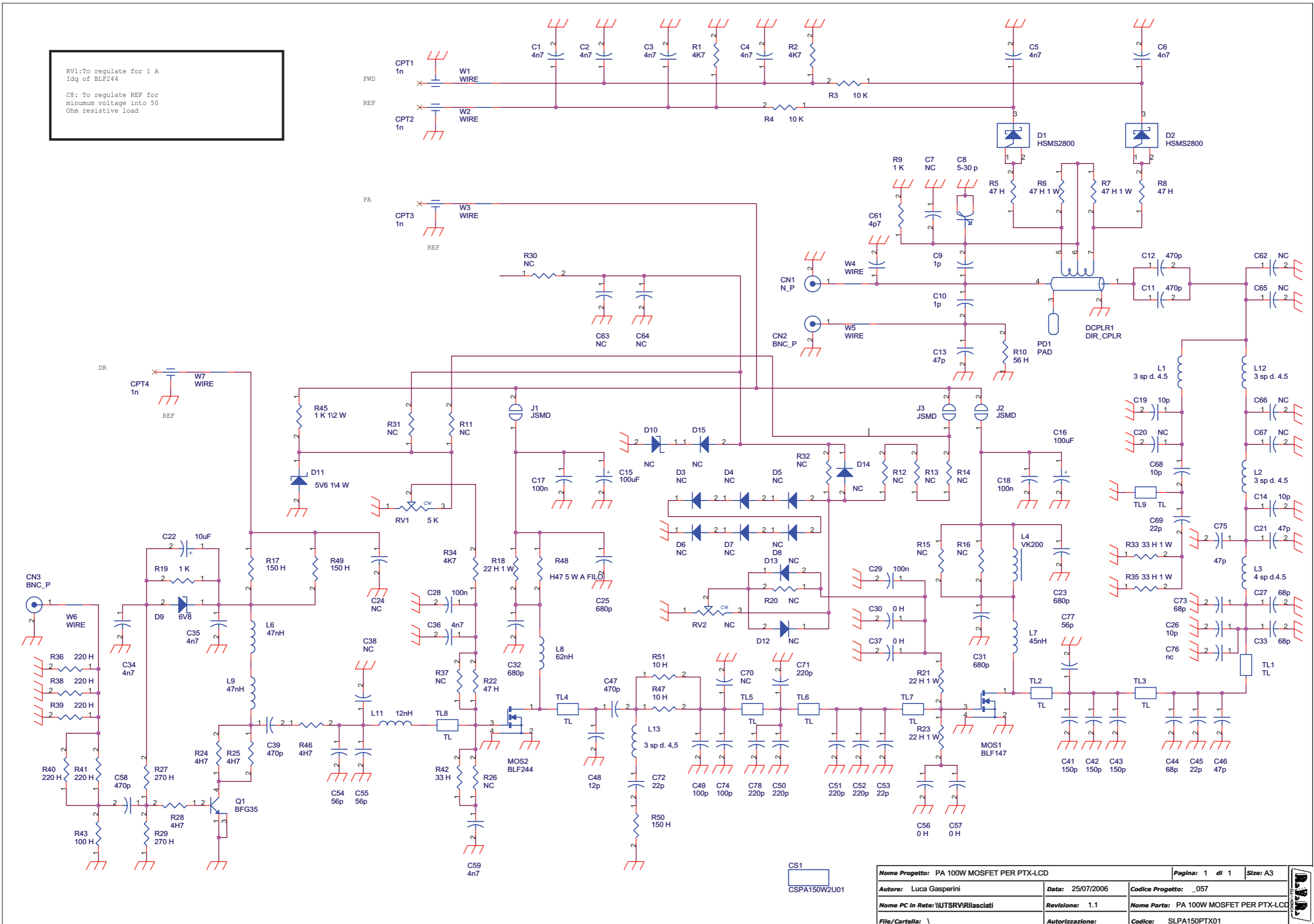
Nome Progetto: PTX30 LCD		Pagina: 1 di 1		Size: A3
Autore: Ufficio Tecnico		Data: 03/05/04	Codice Progetto: PFPTX30LCDS	
Nome PC in Rete: \\UT_SRV\PROGETTI		Revisione: 2.2	Nome Parte: 30W R.F. Power Amplifier Layout	
File/Cartella:MANUALI\PTX LCD\SLRFPTX30LCD\layfin30.dwg		Autorizzazione:	Codice: SLRFPTX30LCD	
Scala: /	Materiale: /	Trattamento: /	Profilo: /	



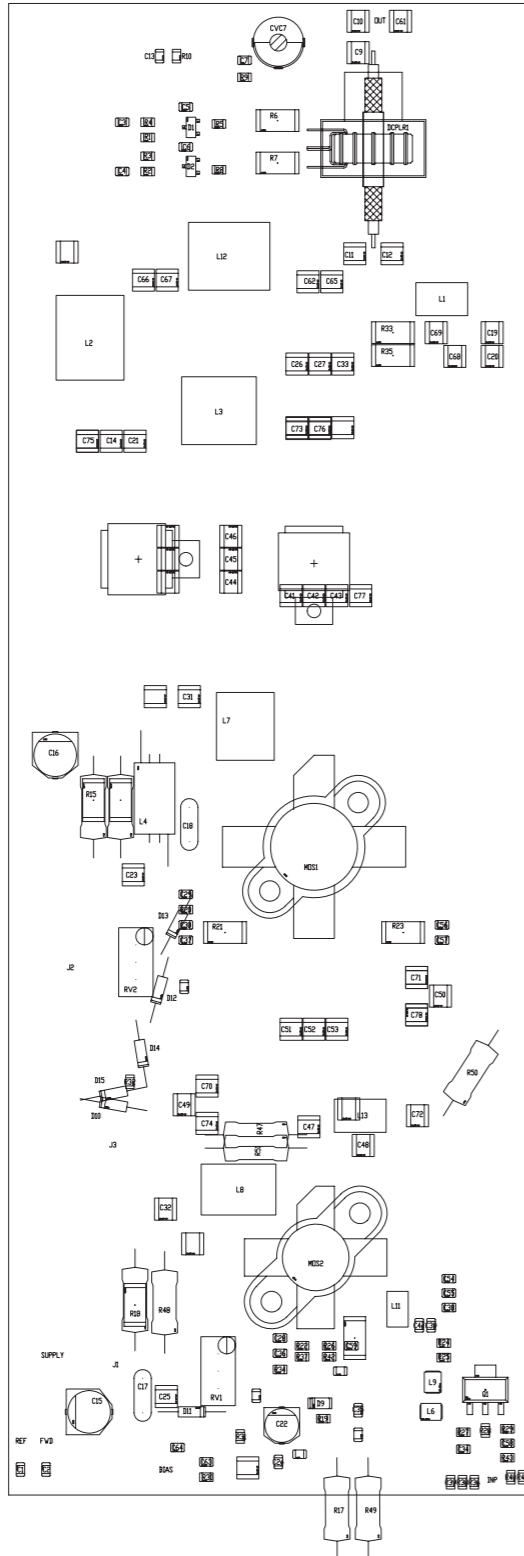
30W RF POWER AMPLIFIER			
SLRFPTX30LCD			
Version:2,2			
5/3/2004			
Item	Qty	Reference	Part
1	2	CN1,CN3	BNC TELAIO
2	1	CN2	N TELAIO
3	1	CV3	T40pF
4	4	C9,C28,C37,C38	4n7
5	2	C2,C11	39pF
6	1	C3	47pF
7	1	C4	100pF
8	6	C5,C6,C7,C27,C28,C33	12pF
9	2	C8,C34	6p8
10	2	C20,C9A	0.1uF
11	1	C10	10uF
12	1	C14	150pFHQ
13	1	C21	1nFUNELCO
14	1	C22	680pFHQ
15	1	C25C	12pF
16	3	C25B,C25A,C25	33pF
17	4	C26C,C26B,C26A,C26	18pF
18	4	C29,C30,C31,C32	27pF
19	2	C36,C47	2p2
20	6	C39,C40,C41,C46,C48,C49	1nFPAS
21	1	DIRC1	TOROIDE
22	2	D1,D2	1N4148
23	3	J1,J2,J3	VK200
24	1	L1	L35.5RVR0.8
25	1	L2	L24RVR0.8
26	4	L3,L12,L13,L14	L56RVR1
27	1	L5	L65.5RVR0.8
28	1	L6	L27RVR0.8
29	1	L10	L16RVR1
30	1	L11	L46RVR1
31	1	L15	L26RVR1
32	1	Q1	MRF237
33	1	Q2	BLF245
34	2	R1,R10	18#
35	2	R2,R11,R11A	270#
36	2	R4,R3	3.9**

37	2	R6,R5	18#
38	2	R13,R12	47*
39	1	R14	1K 1%
40	3	R15,R17,R20	47 1%
41	2	R16,R18	3K3
42	4	STR1,STR2,STR3,STR5	S.L.
43	1	T2	04,01
44	1	C1	470p
45	1	C13	150p
46	12	R8,C12,C15,C15A,C16,C17, C18,C22,C22A,C23,C23A	N.C.
47	1	R21	150

RV1: To regulate for 1 A Idq of BLF244
C8: To regulate REF for minimum voltage into 50 Ohm resistive load



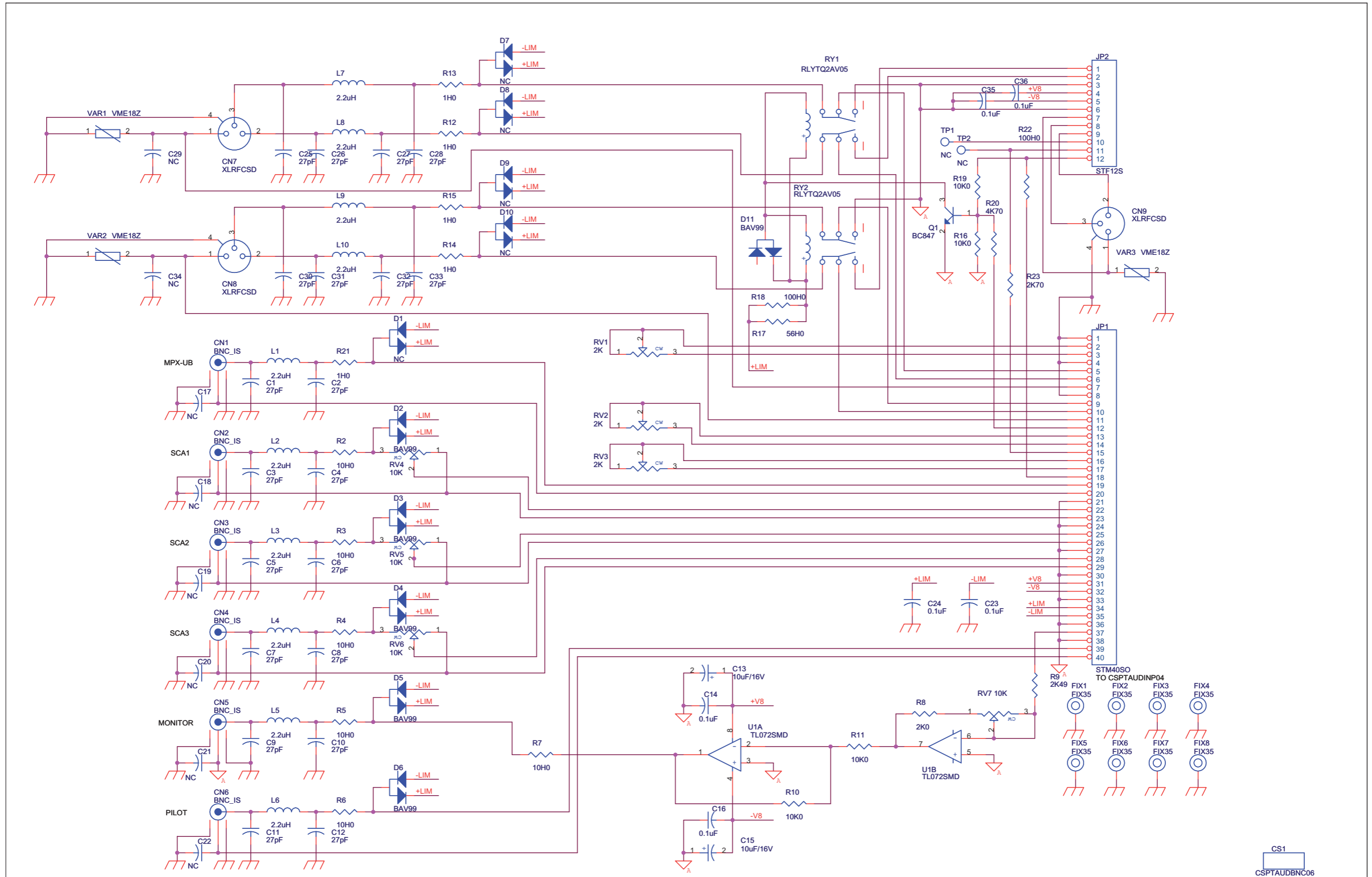
Nome Progetto: PA 100W MOSFET PER PTX-LCD		Pagina: 1 di 1	Size: A3
Autore: Luca Gasperini	Data: 25/07/2006	Codice Progetto: _057	
Nome PC in Rete: \UTSRV\riasciati	Revisione: 1.1	Nome Parte: PA 100W MOSFET PER PTX-LCD	
File/ Cartella: \	Autorizzazione:	Codice: SLPA150PTX01	



PA 100W MOSFET PER PTX-LCD
25/07/2006 Revision: 1.1
SLPA150PTX01
_057

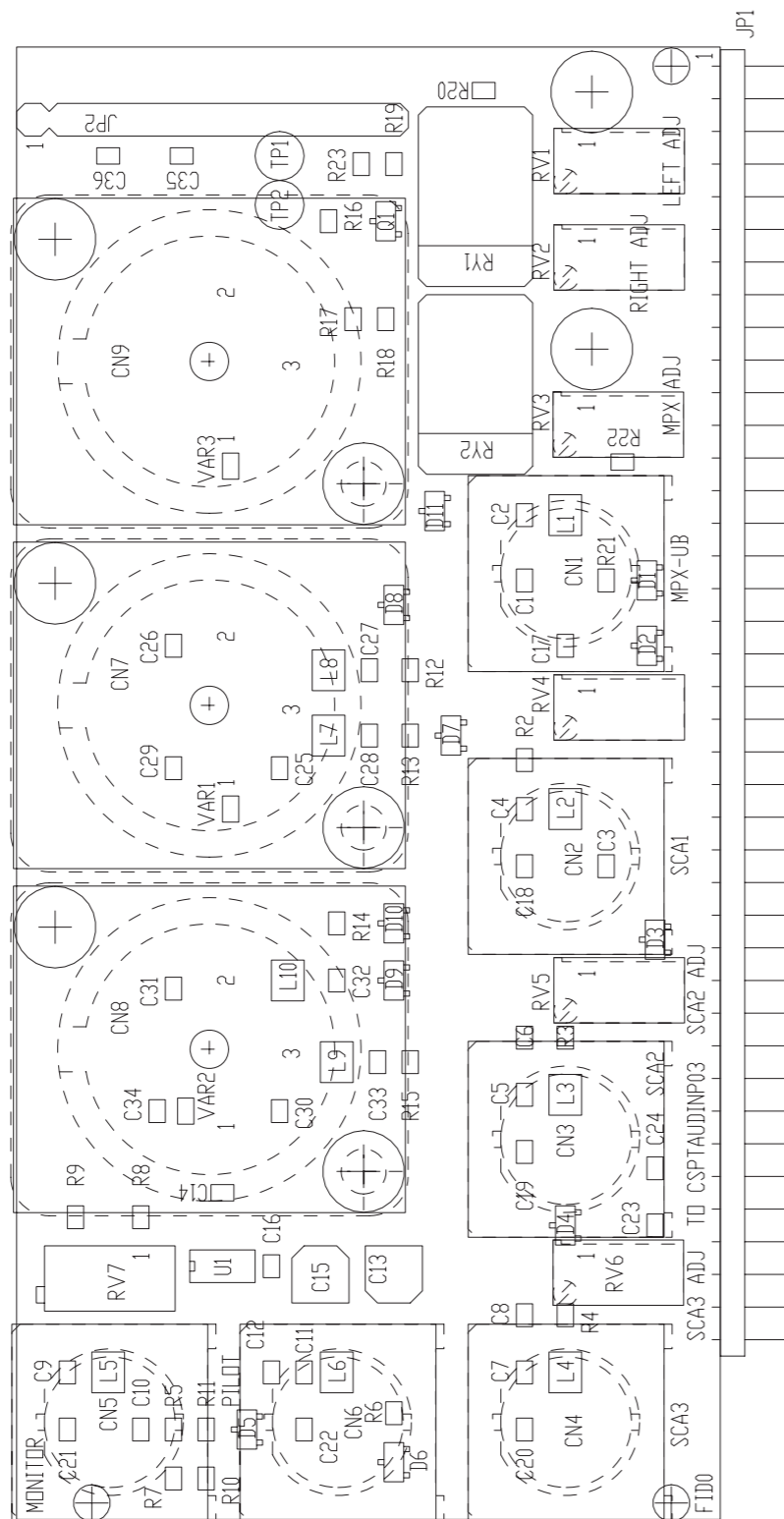
Item	Quantity	Reference	Part	{description}	Codice AS400
1	1	CN1	N_P	Conn. N da pannello	CNTNFPFLPI
2	2	CN3, CN2	BNC_P	Conn. BNC da pannello	CNTBNCFPV
3	4	CPT1, CPT2, CPT3, CPT4	1n	Cond. passante	PASSANTE
4	1	CS1	CSPA150W2U01	Circuito stampato	CSPA150W2U01
5	10	C1, C2, C3, C4, C5, C6, C34, C35, C36, C59	4n7	Cond. SMD 0805 COG	CCC085472KXC
6	5	C7, C24, C38, C63, C64	NC	Cond. SMD 0805 COG	
7	1	C8	5-30 p	Comp. ceramico dia. 7mm	CVC300D07
8	2	C10, C9	1p	Cond. SMD 1212 HQ	CHQ010CA501
9	3	C11, C12, C47	470p	Cond. SMD 1212 HQ	CHQ471JA201
10	1	C13	47p	Cond. SMD 0805 COG	CCC085470JCC
11	4	C14, C19, C26, C68	10p	Cond. SMD 1212 HQ	CHQ100CA501
12	2	C16, C15	100uF	Cond. Elett. SMD d. 6.3mm	CES107E350
13	2	C18, C17	100n	Cond. ceramico multistrato p 5mm	CMS104MC500
14	7	C20, C62, C65, C66, C67, C70, C76	NC	Cond. SMD 1212 HQ	
15	3	C21, C46, C75	47p	Cond. SMD 1212 HQ	CHQ470JA501
16	1	C22	10uF	Cond. Elett. SMD d. 5mm	CES106B350
17	4	C23, C25, C31, C32	680p	Cond. SMD 1212 HQ	CHQ681JA101
18	4	C27, C33, C44, C73	68p	Cond. SMD 1212 HQ	CHQ680JA501
19	2	C28, C29	100n	Cond. SMD 0805 COG	CCC085104KXC
20	4	C30, C37, C56, C57	0 H	Cond. SMD 0805 COG	RCH085F0000H
21	1	C39	470p	Cond. ceramico multistrato p 5mm	CKM471KC600P
22	3	C41, C42, C43	150p	Cond. SMD 1212 HQ	CHQ151JA301
23	4	C45, C53, C69, C72	22p	Cond. SMD 1212 HQ	CHQ220JA501
24	1	C48	12p	Cond. SMD 1212 HQ	CHQ120JA501
25	2	C49, C74	100p	Cond. SMD 1212 HQ	CHQ101JA501
26	5	C50, C51, C52, C71, C78	220p	Cond. SMD 1212 HQ	CHQ221JA201
27	2	C54, C55	56p	Cond. SMD 0805 COG	CCC085560JCC
28	1	C58	470p	Cond. SMD 0805 COG	CCC085471JCC
29	1	C61	4p7	Cond. SMD 1212 HQ	CHQ4P7CA501
30	1	C77	56p	Cond. SMD 1212 HQ	CHQ560JA501
31	1	DCPLR1	DIR_CPLR	Accopp. direz.	BOB0301001A
32	2	D1, D2	HSMS2800		DISHSMS2800
33	6	D3, D4, D5, D6, D7, D8	NC	MINIMELF SMD Diode	
34	1	D9	6V8	MINIMELF SMD Zener Diode	DIZ6V8MINI
35	1	D10	NC	1/2W Zener Diode	
36	1	D11	5V6 1/4 W	1/2W Zener Diode	DIZ5V61/2W
37	4	D12, D13, D14, D15	NC	Diode in vetro DO35	
38	3	J1, J2, J3	JSMD	Pad SMD a saldare	
39	1	L1	3 sp d. 4.5	Induttanza cilindrica	BOB01020093A
40	3	L2, L12	3 sp d. 4.5	Induttanza cilindrica	BOB01020052A
41	1	L3	4 sp d.4.5	Induttanza cilindrica	IMPVK00A
42	1	L4	VK200	Induttanza cilindrica VK200	IMP47NS120
43	2	L9, L6	47nH	Induttanza SMD 3225 (1210)	IMP470NS120
44	1	L7	45nH	Induttanza cilindrica	BOB01020054A
45	1	L8	62nH	Induttanza cilindrica	BOB01020055A
46	1	L11	12nH	Induttanza cilindrica	BOB01010013A
47	1	L13	3 sp d. 4.5	Induttanza cilindrica	BOB01020053A
48	1	MOS1	BLF147	Power mosfet RF	TRNBLF147
49	1	MOS2	BLF244	Power mosfet RF	TRNBLF244
50	1	PD1	PAD		
51	1	Q1	BFG35	Trans. NPN SOT223	TRNBFG35
52	1	RV1	5 K	Trimmer Rg V 3296W	RVT3296WK005
53	1	RV2	NC	Trimmer Rg V 3296W	
54	3	R1, R2, R34	4K7	Res. SMD 0805	RCH085F004K7
55	2	R3, R4	10 K	Res. SMD 0805	RCH085F0010K
56	3	R5, R8, R22	47 H	Res. SMD 0805	RCH085F0047H
57	2	R7, R6	47 H 1 W	Res. SMD 2512 1%	RCH252J0047H
58	2	R9, R19	1 K	Res. SMD 0805	RCH085F0001K
59	1	R10	56 H	Res. SMD 0805	RCH085F0056H
60	10	R11, R12, R13, R14, R20, R26, R30, R31, R32, R37	NC	Res. SMD 0805	
61	2	R16, R15	NC	Res. SMD 2512 1%	
62	3	R17, R49, R50	150 H	Res. 2W	RSM002J0150H
63	3	R18, R21, R23	22 H 1 W	Res. SMD 2512 1%	RCH252J0022H
64	3	R24, R25, R28	4H7	Res. SMD 0805	RCH085F004H7
65	2	R27, R29	270 H	Res. SMD 0805	RCH085F0270H
66	2	R33, R35	33 H 1 W	Res. SMD 2512 1%	RCH252J0033H
67	5	R36, R38, R39, R40, R41	220 H	Res. SMD 0805	RCH085F0220H
68	1	R42	33 H	Res. SMD 0805	RCH085F0033H
69	1	R43	100 H	Res. SMD 0805	RCH085F0100H
70	1	R45	1 K 1/2 W	Res. 1/2W	RSC1/2J0001K
71	1	R46	4H7	Res. 1/4W	RSM1/4F004H7
72	2	R47, R51	10 H	Res. 2W	RSM002J0010H
73	1	R48	H47 5 W A FILO	Res. 5W	RAF005J00H47
74	9	TL1, TL2, TL3, TL4, TL5, TL6, TL7, TL8, TL9	TL	Linea strip CS	
75	7	W1, W2, W3, W4, W5, W6, W7	WIRE	Filo a saldare	

R.V.R. ELETTRONICA	NOME PROGETTO:	PTX-LCD	NOME PARTE:	PA 100W MOSFET PER PTX-LCD	
	AUTORE:	L. GASPERINI	DATA:	25/07/2006	
ARCHIVIAZIONE ELETTRONICA: "CARTELLA RILASCIATI" SU "UTSRV"		CODICE PROGETTO:	_057	CODICE DISEGNO:	SLPA150PTX01
MATERIALE: <>	TRATTAMENTO: <>	PROFILO: <>	STATO: ESECUTIVO		



CS1
CSPTAUDBNC06

Nome Progetto: PTX30 LCD		Pagina: 1 di 1		Size: A3
Autore: Ufficio Tecnico	Data: 14/12/2005	Codice Progetto: _057		
Nome PC in Rete: \\\UTSRV\	Revisione: 1.0	Nome Parte: SCHEDA CONNETTORI BNC,SCA MPX		
File/Cartella: 1	Autorizzazione:	Codice: SLPTAUDBNC06		



SCHEDA CONNETTORI BNC,SCA,MPX e REGOLAZIONI Revised: 14/12/2005

SLPTAUDBNC06 Revision: 1.0

PTX30 LCD

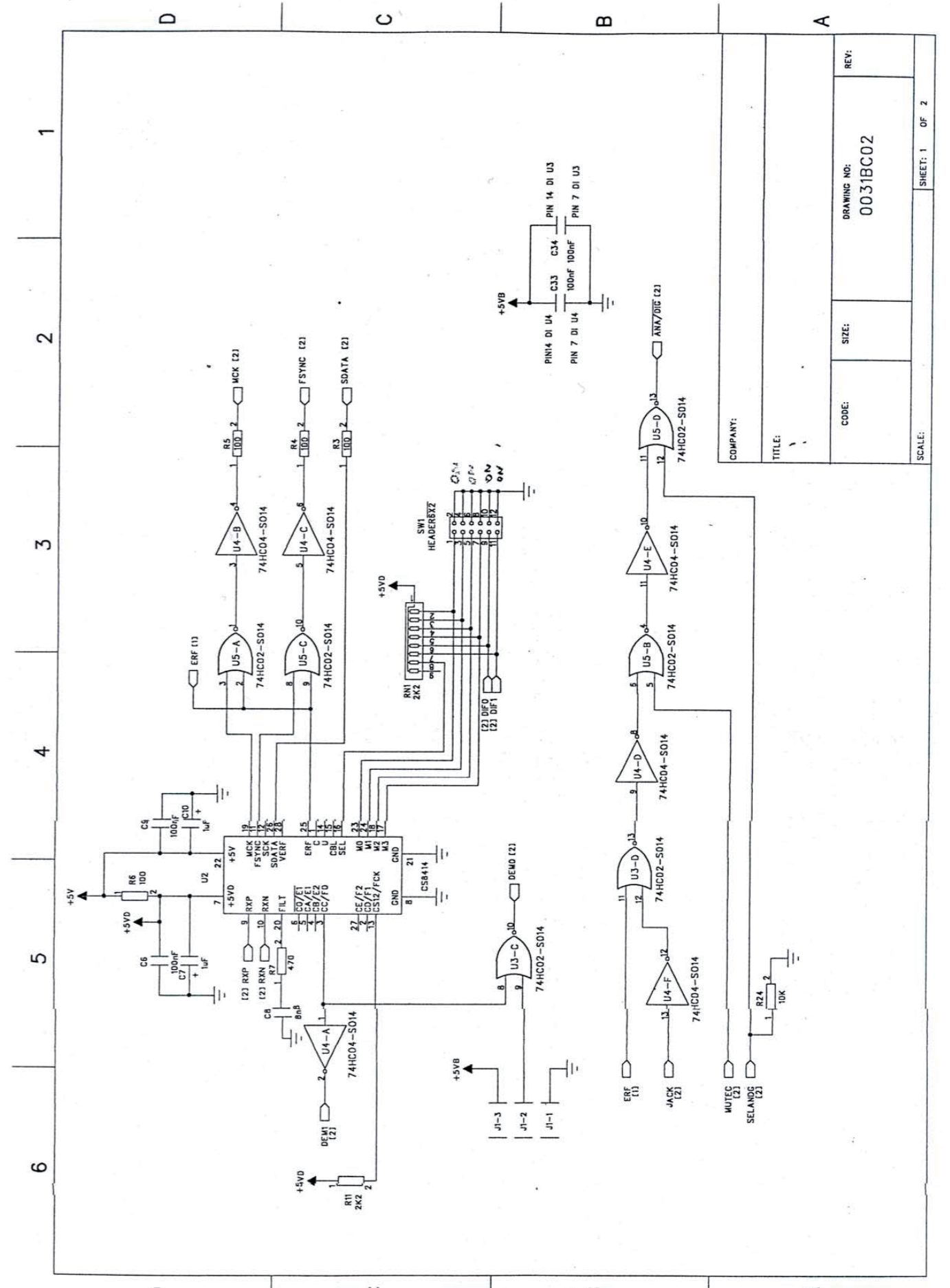
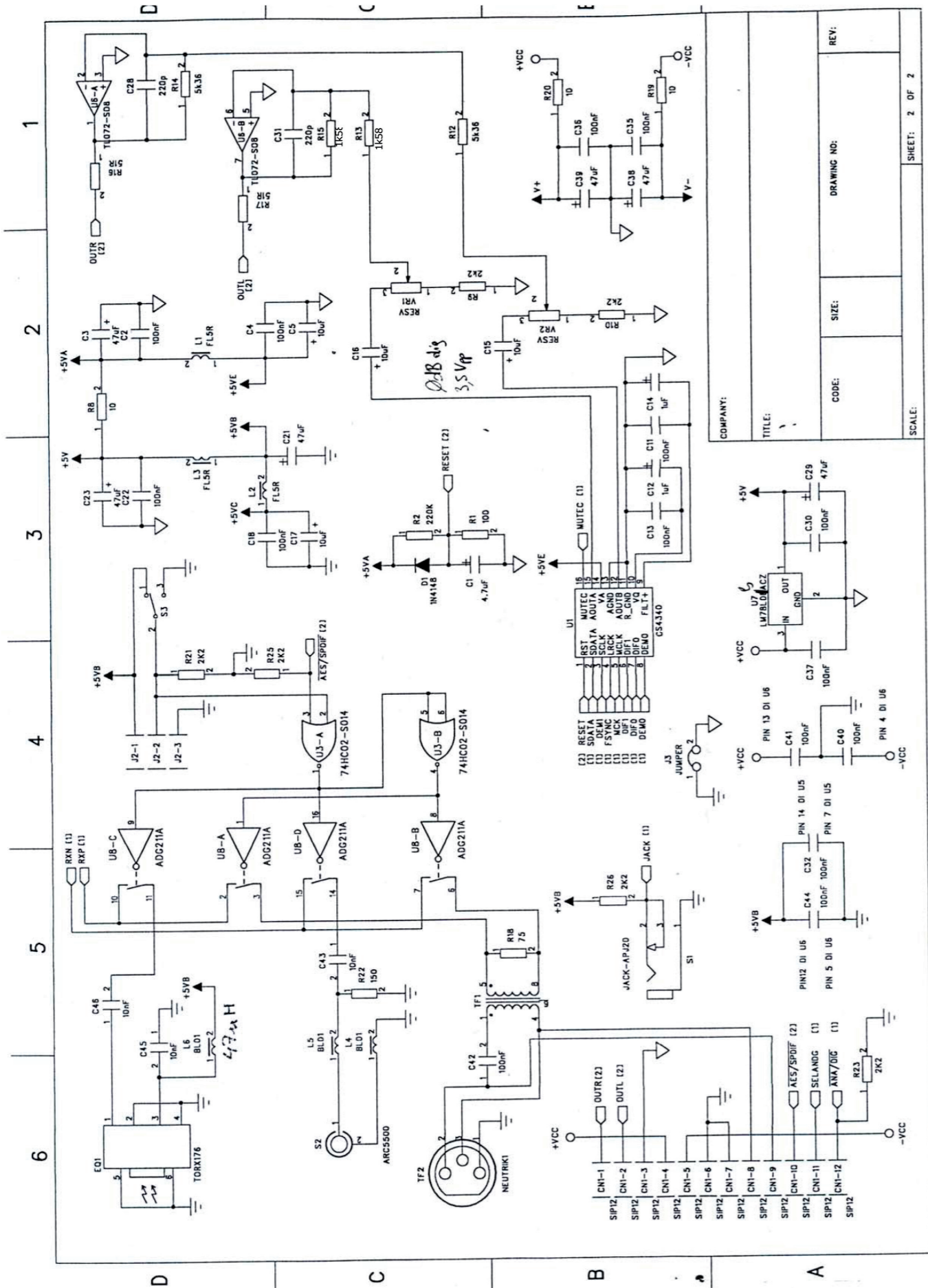
_057

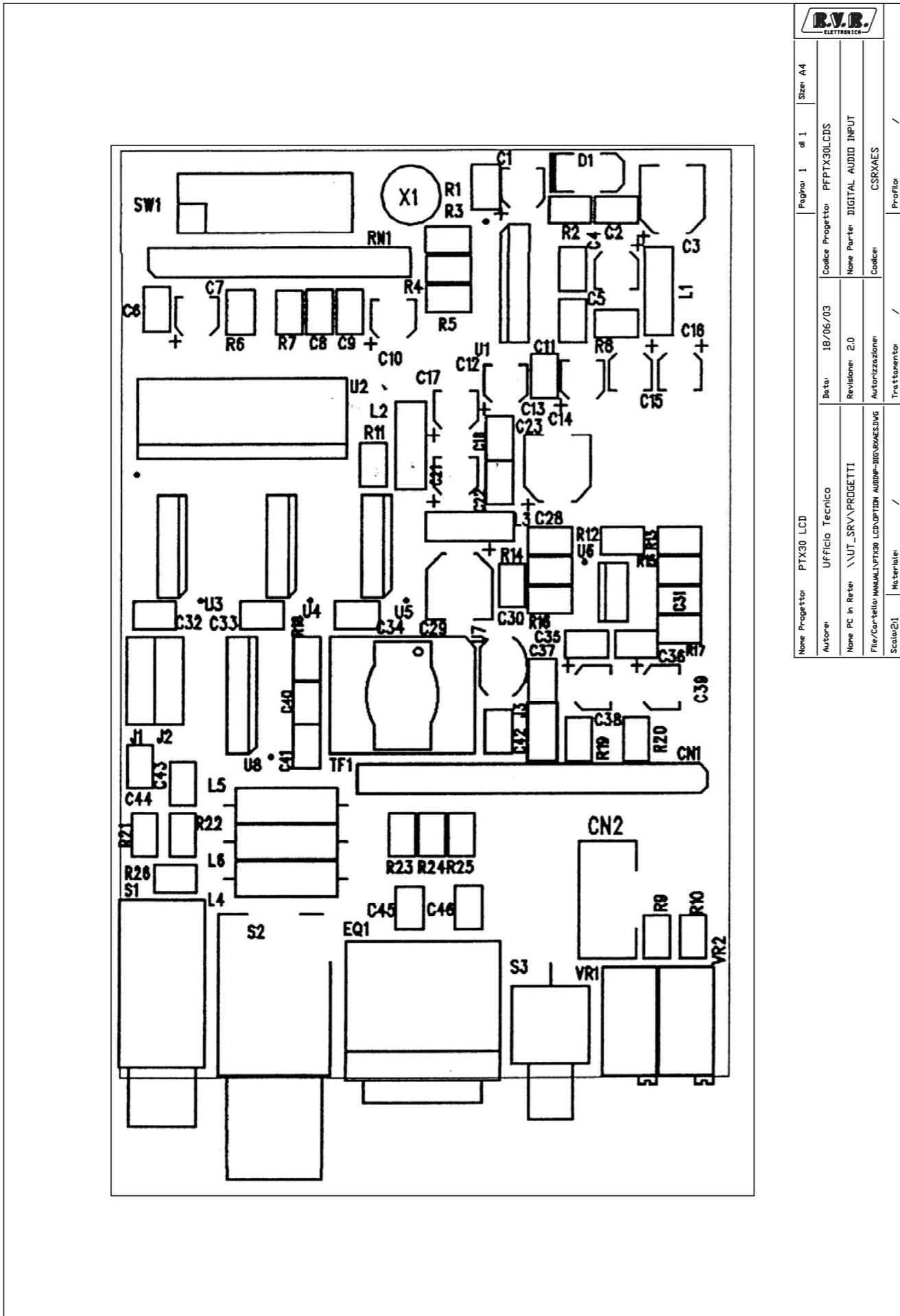
Ufficio Tecnico

Item	Quantity	Reference	Part	Description	Code
1	6	CN1, CN2, CN3, CN4, CN5, CN6	BNC IS	Connettore BNC metallico	CNTBNCFCMSA
2	3	CN7, CN8, CN9	XLRFCSD	Connettore XLR femm. cs	CNTXLRFC3P
3	1	CS1	CSPTAUDBNC06	Circuito stampato	CSPTAUDBNC06
4	20	C1, C2, C3, C4, C5, C6, C7, C8, C9, C10, C11, C12, C25, C26, C27, C28, C30, C31, C32, C33	27pF	Cond. SMD 0805	CCC085270JCC
5	2	C13, C15	10uF/16V	Cond. Elett. SMD d. 4mm	CES106A160
6	6	C14, C16, C23, C24, C35, C36	0.1uF	Cond. SMD 0805	CCC085104KXC
7	8	C17, C18, C19, C20, C21, C22, C29, C34	NC	Cond. SMD 0805	
8	5	D1, D7, D8, D9, D10	NC	Doppio Diode SMD SOT23	
9	6	D2, D3, D4, D5, D6, D11	BAV99	Doppio Diode SMD SOT23	DISBAV99
10	8	FIX1, FIX2, FIX3, FIX4, FIX5, FIX6, FIX7, FIX8	FIX35	Foro fissaggio 3.5mm	
11	1	JP1	STM40SO	Strip maschio 40 pin a 90°	CNTSTM40SAL
12	1	JP2	STF12S	Strip femmina 12 pin tornita	CNTSTF12SDB
13	10	L1, L2, L3, L4, L5, L6, L7, L8, L9, L10	2.2uH	Induttanza SMD 3225 (1210)	IMP2U2S120
14	1	Q1	BC847	Trans. NPN SOT23	TRNBC847
15	3	RV1, RV2, RV3	2K	Trimmer Rg V 3296W	RVT3269WK002
16	3	RV4, RV5, RV6	10K	Trimmer Rg V 3296W	RVT3269WK010
17	1	RV7	10K	Trimmer Rg H 3296X	RVT3296XK010
18	2	RY1, RY2	RLYTQ2AV05	Rele' TQ2 - 5V	RLD2V05V05AM
19	6	R2, R3, R4, R5, R6, R7	10H0	Res. SMD 0805	RCH085F0010H
20	1	R8	2K0	Res. SMD 0805 1%	RCH085F0002K
21	1	R9	2K49	Res. SMD 0805 1%	RCH085F02K49
22	4	R10, R11, R16, R19	10K0	Res. SMD 0805 1%	RCH085F0010K
23	5	R12, R13, R14, R15, R21	1H0	Res. SMD 0805 1%	RCH085F0001H
24	1	R17	56H0	Res. SMD 0805 1%	RCH085F0056H
25	2	R18, R22	100H0	Res. SMD 0805 1%	RCH085F0100H
26	1	R20	4K70	Res. SMD 0805 1%	RCH085F004K7
27	1	R23	2K70	Res. SMD 0805 1%	RCH085F002K7
28	2	TP1, TP2	NC	Test point	
29	1	U1	TL072SMD	Dual Op. SMD SO8	CILT072SMD
30	3	VAR1, VAR2, VAR3	VME18Z	ESD SMD protector	MOV018V085

Nota Quella a 12 pin non c'e'.

R.V.R. ELETTRONICA	NOME PROGETTO: PTX-LCD	NOME PARTE: SCHEDA CONNETTORI BNC			
	AUTORE: TOMMASI	DATA: 14/12/2005	REVISIONE: 1.0	SCALA: 2:1	SIZE: A4
ARCHIVIAZIONE ELETTRONICA: "CARTELLA PROGETTI" SU "UTSRV"		CODICE PROGETTO: _057	CODICE DISEGNO: SLPTAUDBNC06		
MATERIALE: <>	TRATTAMENTO: <>	PROFILO: <>	STATO: ESECUTIVO		



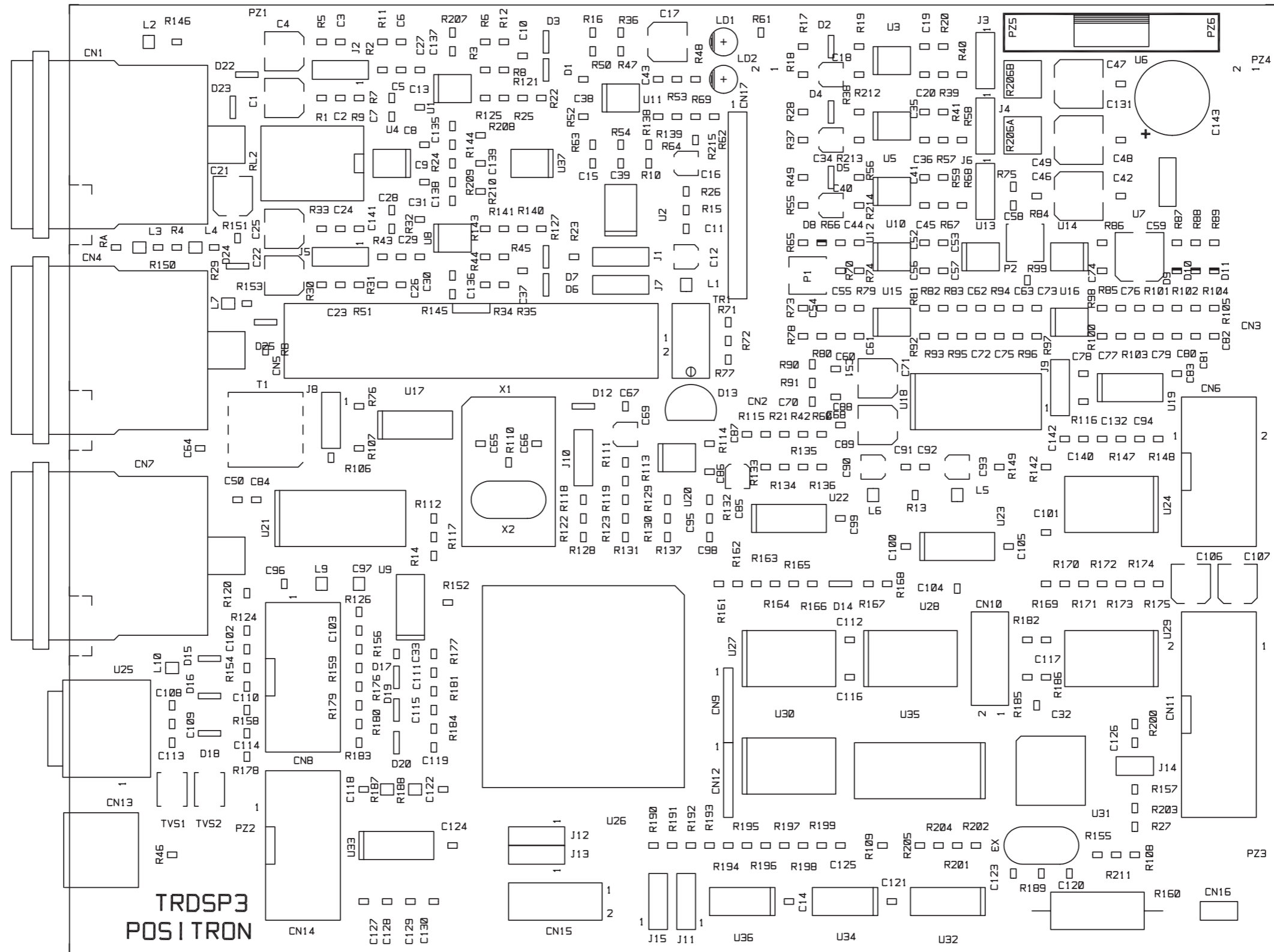


Audio Input Selector - Bill of materials					
	Name	Logie	Ga-tes	VALUE	Part Type
1	C6	CAP	1	100nF	C0805
2	C7	CAP	1	1uF	AECAP
3	C8	CAP	1	6n8	C0805
4	C9	CAP	1	100nF	C0805
5	C10	CAP	1	1uF	AECAP
6	C33	CAP	1	100nF	C0805
7	C34	CAP	1	100nF	C0805
8	J1	CON	3		HEADER03
9	R3	RES	1	-100	R0805
10	R4	RES	1	100	R0805
11	RS	RES	1	100	R0805
12	R6	RFS	1	100	R0805
13	R7	RES	1	470	R0805
14	R11	RES	1	2K2	R0805
15	R24	RES	1	10K	R0805
16	RN1	RES	1	2K2	RN9A
17	SW1	UND	1		HEADER\6X2
18	U2	UND	1		CS8414
19	U3	TTL	4		74HC02-S01
20	U4	TTL	6		74HC04-S0I
21	U5	TTL	4		74HC02-S0I
22	C1	CAP	1	4.7uF	AECAP
23	C2	CAP	1	100nF	C0805
24	C3	CAP	1	47uF	AECAP
25	C4	CAP	1	100nF	C0805
26	C5	CAP	1	10uF	AECAP
27	C11	CAP	1	100nF	C0805 10
28	C12	CAP	1	1uF	AECAP 1u
29	C13	CAP	1	100nF	C0805 10
30	C14	CAP	1	1uF	AECAP 1u
31	C15	CAP	1	10uF	AECAP 10
32	C16	CAP	1	10uF	AECAP 10
33	C17	CAP	1	10uF	AECAP 10
34	C18	CAP	1	100nF	C0805 10
35	C19	CAP	1	220p	C0805 22
36	C20	CAP	1	220p	C0805 22
37	C21	CAP	1	47uF	AECAP 47

RXAES

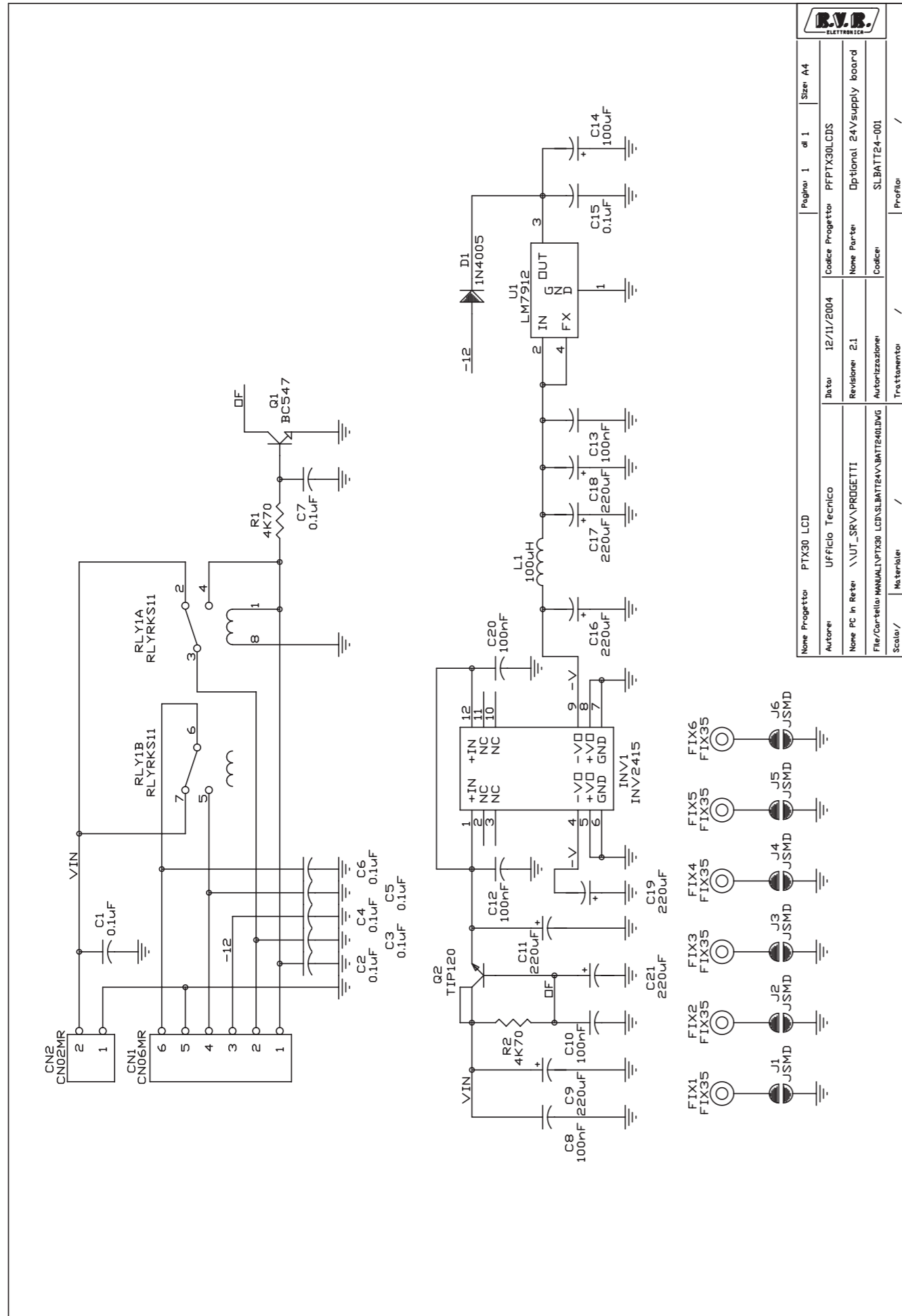
38	C22	CAP	1	100nF	C0805 10
39	C23	CAP	1	47UF	AECAP 47
40	C24	CAP	1	220P	C0805 22
41	C25	CAP	1	220p	C0805 22
42	C26	CAP	1	220p	C0805 22
43	C27	CAP	1	220p	C0805 22
44	C28	CAP	1	220p	C0805
45	C29	CAP	1	47uF	AECAP
46	C39	CAP	1	100nF	C0805
47	C31	CAP	1	220p	C0805
48	C32	CAP	1	100nF	C0805
49	C35	CAP	1	100nF	C0805
50	C36	CAP	1	100nF	C0805
51	C37	CAP	1	100nF	C0805
52	C38	CAP	1	47uF	AECAP
53	C39	CAP	1	47uF	AECAP
54	C40	CAP	1	100nF	C0805
55	C41	CAP	1	100nF	C0805
56	C42	CAP	1	100nF	C0805
57	C43	CAP	1	10nf	C0805
58	C44	CALD	1	100nF	C0805
59	C45	CAP	1	10nF	C0805
60	C46	CAP	1	10nF	CO805
61	CN1	CON	12		SIP12
62	D1	DIO	1	1N4148	MLL345
63	EQ1	UND	1		TORX176
64	J2	CON	3		HEADER03
64	J3	JUM	1		JUMPER
65	L1	IND	1	FLSR	RM77
66	L2	IND	1	FL5R	RM77
67	L3	IND	1	FLSR	RM77
68	L4	IND	1		BLO1
69	L5	IND	1		BLO1
70	L6	IND	1		BLO1
71	R1	RES	1	100	R0805
72	R2	RES	1	220K	R0805
73	R8	RES	1	10	R0805
74	R9	RES	1	3K32	R0805
75	R10	RES	1	3K32	R0805
76	R12	RES	1	1K58	R0805
77	R13	RES	1	1K58	R0805
78	R14	RES	1	3K32	R0805
79	R15	RES	1	3K32	R0805
80	R16	RES	1	10K	R0805

81	R17	RES	1	10K	R0805
82	R18	RES	1	75	R0805
83	R1g	RES	1	10	R0805
84	R20	RES	1	10	R0805
85	R21	RES	1	2K2	R0805
86	R22	RES	1	150	R0805
87	R23	RES	1	2K2	R0805
88	R25	RES	1	2K2	R0805
89	R26	RES	1	2K2	R0805
90	S1	UND	1		JACK-APJ20
91	S2	UND	1		ARC5500
92	TF1	UND	1		TRASF-DIG_
93	TF2	UND	1		NEUTRIK1
94	UI	UND	1		C54340
95	U3	TTL	4		74HCO2-S01
96	U6	ANA	2		TL072-S08
97	U7	ANA	1		LM78L08ACZ
98	U8	CMO	4		ADG211AVR

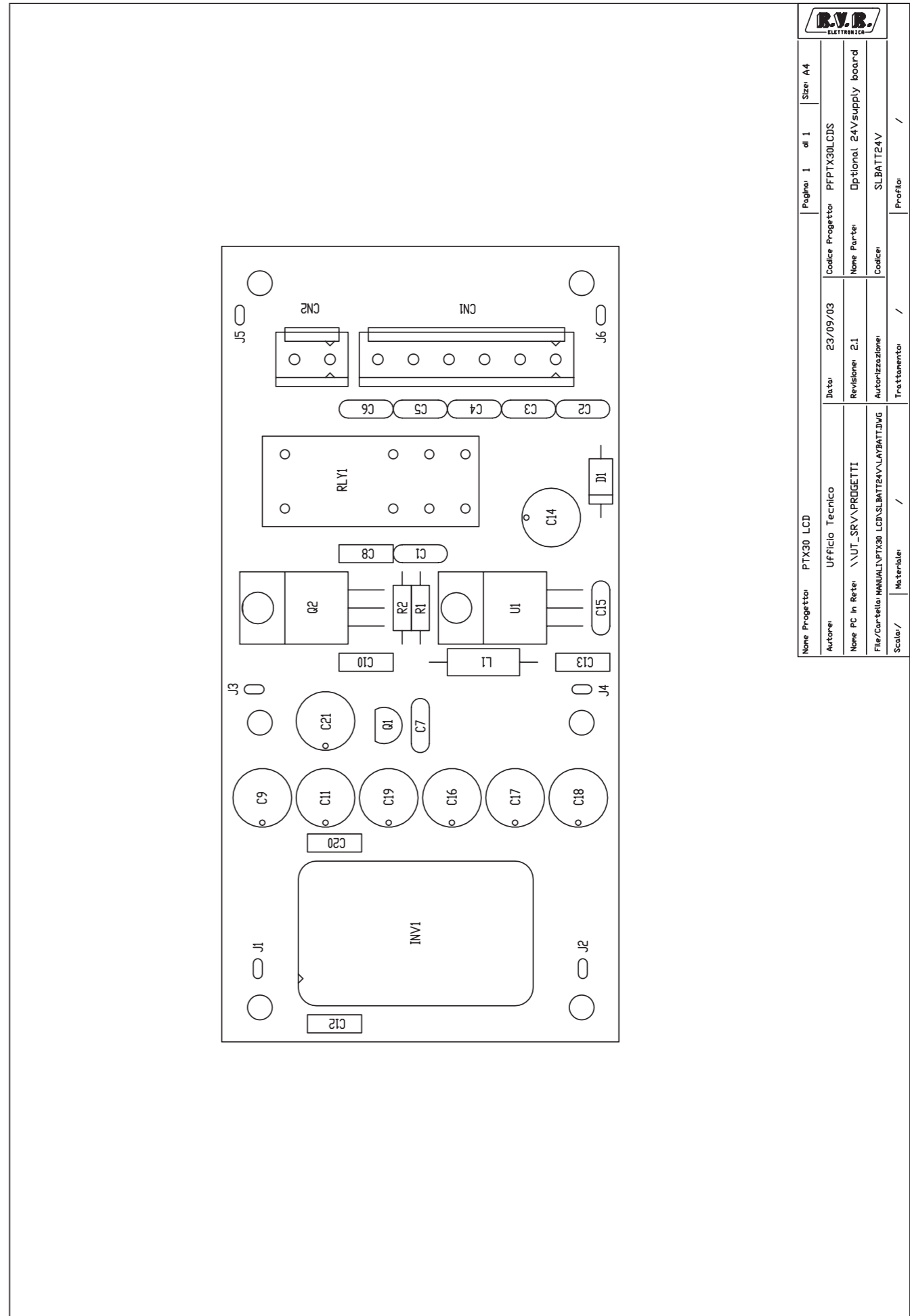


Nome Progetto: PTX30 LCD		Pagina: 1 di 1		Size: A3	
Autore: Ufficio Tecnico		Data: 18/06/03		Codice Progetto: PFPTX30LCDS	
Nome PC in Rete: \\UT_SRV\PROGETTI		Revisione: 2.0		Nome Parte: Digital Audio Input TRDSP	
File/Cartella: MANUAL\PTX30 LCD\TRDSP\TRDSP.DWG		Autorizzazione:		Codice: TRDSP	
Scala: /	Materiale: /	Trattamento: /	Profilo: /		





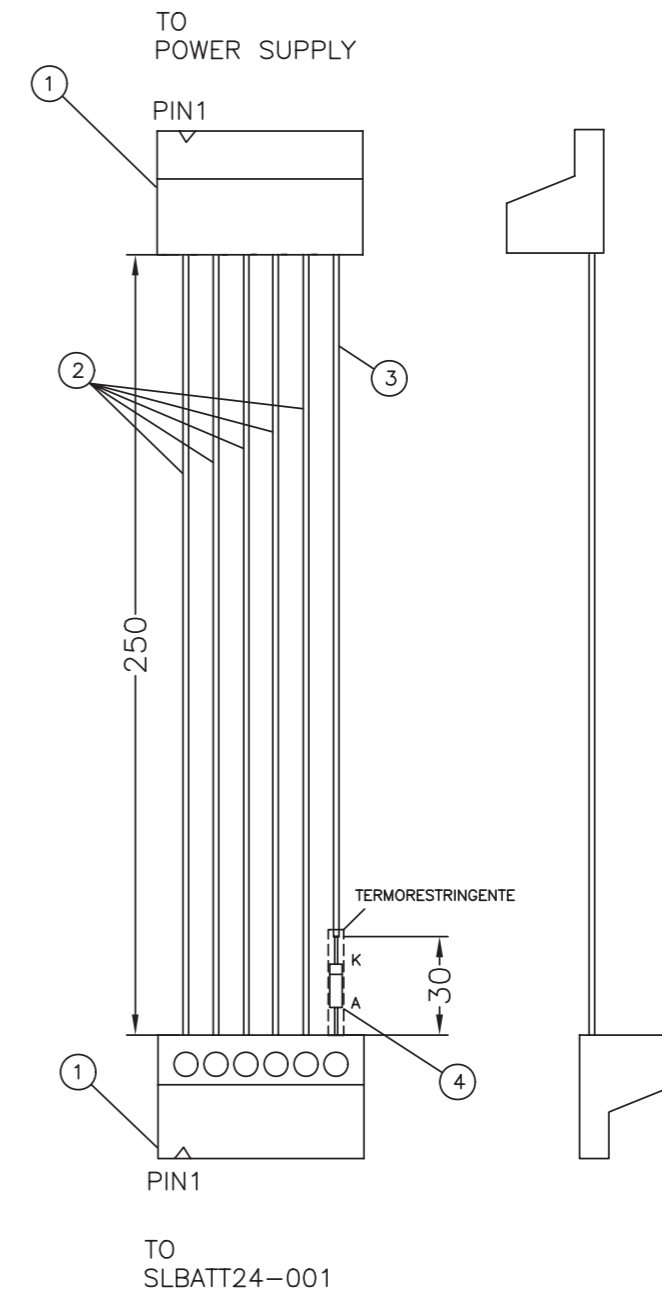
None Progetto: PTX30 LCD		Pagina: 1 di 1		Size: A4	
Autore: Ufficio Tecnico		Data: 12/11/2004		Codice Progetto: PFPTX30LCDS	
Nome PC in Rete: \\UT_SRV\PROGETTI		Revisione: 2.1		Nome Parte: Optional 24V supply board	
File/Cartella: MANUAL\PTX30_LCD\SLBATT24V\BATT240LDVG		Autorizzazione:		Codice: SLBATT24-001	
Scala: /		Materiale: /		Trattamento: /	
				Profilo: /	



None Progetto: PTX30 LCD		Pagina: 1 di 1		Size: A4	
Autore: Ufficio Tecnico		Data: 23/09/03		Codice Progetto: PFPTX30LCDS	
Nome PC in Rete: \\UT_SRV\PROGETTI		Revisione: 2.1		Nome Parte: Optional 24V supply board	
File/Cartella: MANUAL\PTX30_LCD\SLBATT24V\BATT240LDVG		Autorizzazione:		Codice: SLBATT24V	
Scala: /		Materiale: /		Trattamento: /	
				Profilo: /	

Optional 24Vsupply board - Bill of material			
SLBATT24-001			
REV. 2.1 11/12/2004			
Item	Reference	Part	Description
1	CS1	CSBATT24-001	Circuito stampato
2	INV1	INV2415	Modulo ibrido in RF
3	CN1	CN06MR	Conn. morsetto 06 pin F c.s.
4	RLY1	RLYRKS11	Rele' con bobina 2V 24V
5	C1	0.1µF	Cond. ceramico p. 5mm
6	C2	0.1µF	Cond. ceramico p. 5mm
7	C3	0.1µF	Cond. ceramico p. 5mm
8	C4	0.1µF	Cond. ceramico p. 5mm
9	C5	0.1µF	Cond. ceramico p. 5mm
10	C6	0.1µF	Cond. ceramico p. 5mm
11	R1	4K70	Res. 1/4 W 1%
12	C7	0.1µF	Cond. ceramico p. 5mm
13	Q1	BC547	Tr. in TO 92
14	C8	100nF	Cond. poliestere p. 5mm
15	C9	220µF	Cond. el. ver. 16V p. 2.5mm
16	R2	4K70	Res. 1/4 W 1%
17	C10	100nF	Cond. poliestere p. 5mm
18	C11	220µF	Cond. el. ver. 16V p. 2.5mm
19	C12	100nF	Cond. poliestere p. 5mm
20	L1	100µH	Impedenza
21	C13	100nF	Cond. poliestere p. 5mm
22	D1	1N4005	Diodo silicio
23	C14	100µF	Cond. el. ver. 25V p. 2.5mm
24	C15	0.1µF	Cond. ceramico p. 5mm
25	CN2	CN02MR	Conn. morsetto 02 pin F c.s.
26	U1	LM7912	3-Terminal negative regulator
27	C16	220µF	Cond. el. ver. 16V p. 2.5mm
28	C17	220µF	Cond. el. ver. 16V p. 2.5mm
29	C18	220µF	Cond. el. ver. 16V p. 2.5mm
30	C19	220µF	Cond. el. ver. 16V p. 2.5mm
31	C20	100nF	Cond. poliestere p. 5mm
32	C21	220µF	Cond. el. ver. 16V p. 2.5mm
33	Q2	TIP120	Tr. in TO 92

ID: CAB9910039A				COMMENTI	
REF.	COMPONENTE	DESCRIZIONE	UM	Q.TA'	CABLAGGIO OPZIONE 24V PTX-LCD
1	CNTFVL6P	CONN. FEMM. VOLANTE 6 VIE PHOENIX	PZ	2	
2	<NO CODE>	CAVO 2,5MM LUNGHEZZA 250MM	PZ	5	
3	<NO CODE>	CAVO 2,5MM LUNGHEZZA 220MM	PZ	1	
4	DIS80SQ045	DIODO SCHOTTKY 8A DO-204AR	PZ	1	



	NOME PROGETTO: PTX-LCD	NOME PARTE: CABLAGGIO OPZIONE BATTERIA 24V			
	AUTORE: UFFICIO TECNICO	DATA: 24/10/2005	REVISIONE: 1.0	SCALA: <>	SIZE: A4 PAGINA: 1 DI 1
ARCHIVIAZIONE ELETTRONICA: "CARTELLA PROGETTI" SU "UT_SRV"		CODICE PROGETTO: 800	CODICE DISEGNO: CAB9910039A		
MATERIALE: <>	TRATTAMENTO: <>	PROFILO: <>	STATO: ESECUTIVO		